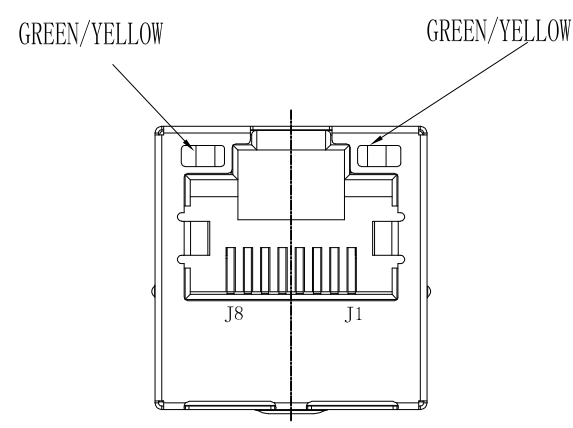
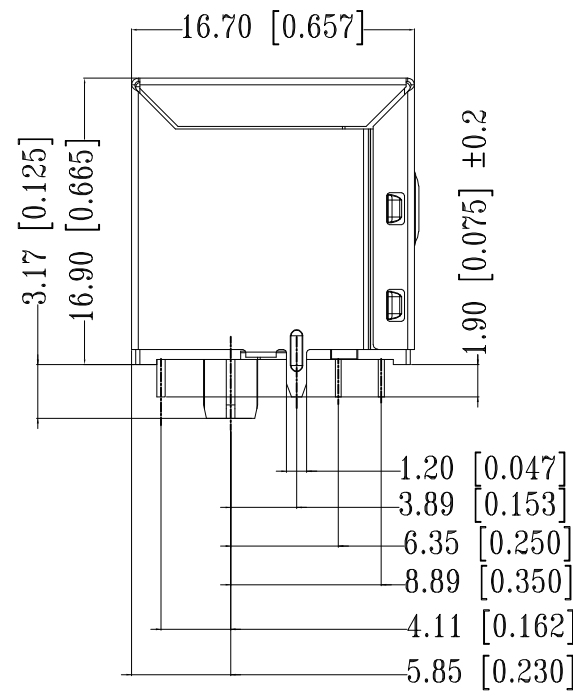
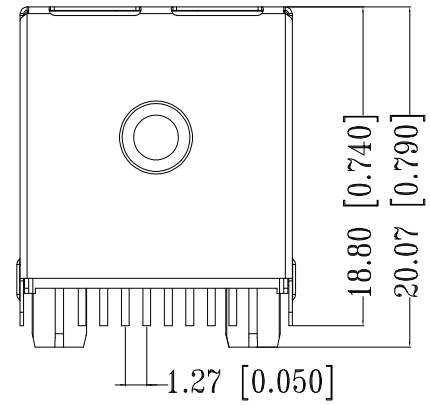
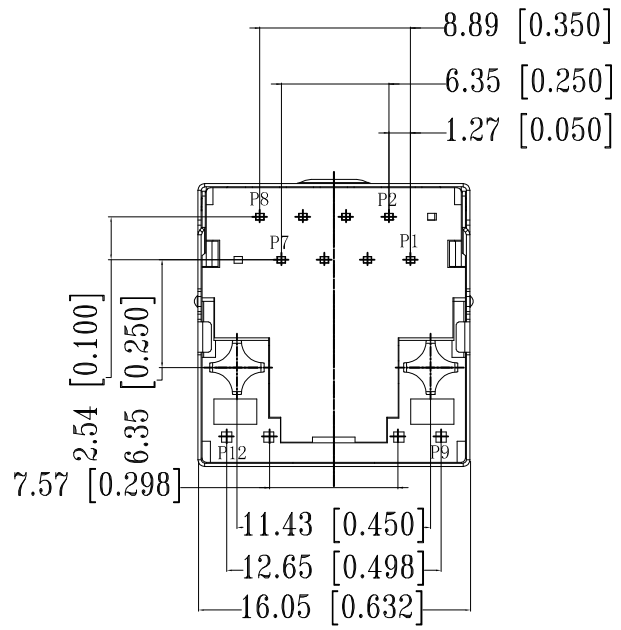


THIS DRAWING IS UNPUBLISHED
 RELEASED FOR PUBLICATION
 - . 2017.
 © COPYRIGHT - 2017 by TE Connectivity Germany GmbH ALL RIGHTS RESERVED.

REVISIONS				
P	LTR	DESCRIPTION	DATE	DWN APVD
	A1	New Release	09MAR2017	GCMMSZ



- △ CONNECTOR MATERIAL:
 HOUSING: LCP BLACK UL94 V-0
 INSERT: LCP BLACK UL94 V-0
 SHIELD: BRASS
 SHIELD PLATING: NICKEL
 CONTACT: COPPER ALLOY
 CONTACT PLATING: SELECTIVE GOLD, MIN. 0.76µm (30µinch) IN CONTACT AREA
 OVER MIN. 1.27µm (50µinch) NICKEL
 SOLDER PIN PLATING: 3.05µm (120µinch) TIN OVER 1.02µm (40µinch) NICKEL
 OVER ALL
 SHIELDING PIN PLATING: NICKEL
- 2 PIN NOT ELECTRICALLY CONNECTED MAYBE OMITTED SEE ELECTRICAL CIRCUIT DIAGRAM FOR OMITTED PINS
- 3 RJ45 CAVITIES CONFORM TO FCC RULES AND REGULATION PART 68
- 4 THE PART IS RECOMMENDED FOR REFLOW SOLDERING PROCESS PEAK
 SOLDERING: TEMPERATURE MAX. +260° C, MAX. 10s
- 5 OPERATING TEMPERATURE: T= -40° C TO +85° C
- 6 STORAGE TEMPERATURE: T= -40° C TO +85° C
- △ UNLESS OTHERWISE SPECIFIED, SEE TABLE FOR ALL DIMENSIONS TOLERANCES
- 8 JACK CONFIGURATION: 1 x 1
 TAB DIRECTION: UP
- 9 PACKAGING: REEL (T+R) ACCORDING TO PACKAGING SPECIFICATION 107-18116

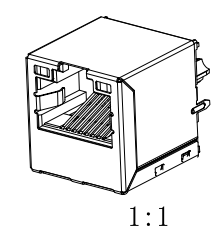


TABLE OF TOLERANCE (mm)	
RANGE	TOLERANCE
0-10	±0.15
>10-40	±0.25
>40-70	±0.30
>70	±0.40

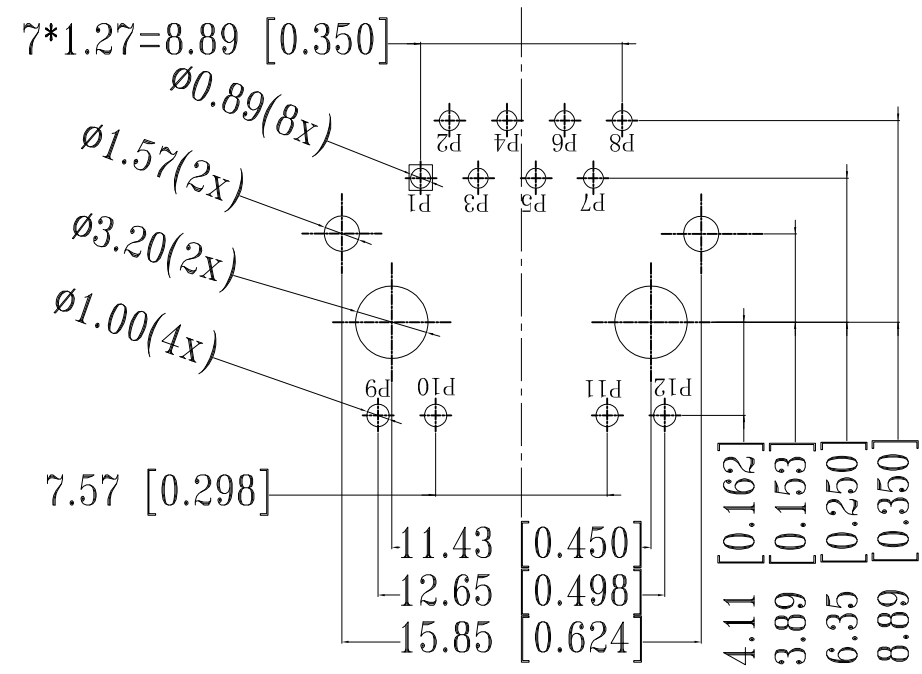
THIS DRAWING IS A CONTROLLED DOCUMENT.		DWN 27AUG2016 GANESH C M		
DIMENSIONS: mm [INCHES]		CHK 27AUG2016 FRANZ MUELLER		
TOLERANCES UNLESS OTHERWISE SPECIFIED:		APVD 27AUG2016 MARTIN SZELAG	NAME RJ45 JACK INT.MAG. 10/100 LED 1x1 VERT	
		PRODUCT SPEC 108-94552	SIZE CAGE CODE DRAWING NO RESTRICTED TO	
		APPLICATION SPEC 114-94447	A3 00779 C-2301995-3	
MATERIAL		WEIGHT -	SCALE SHEET REV	
		CUSTOMER DRAWING		3:1 1 of 3 A1

THIS DRAWING IS UNPUBLISHED
 © COPYRIGHT - 2017 by TE Connectivity Germany GmbH
 ALL RIGHTS RESERVED.

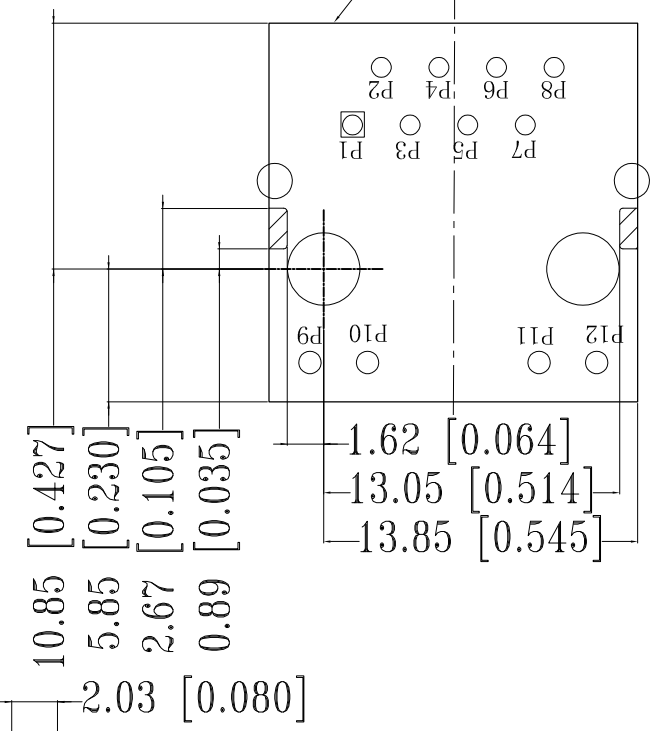
RELEASED FOR PUBLICATION
 - ,2017.

REVISIONS					
P	LTR	DESCRIPTION	DATE	DWN	APVD
-	-	SEE SHEET 1	-	-	-

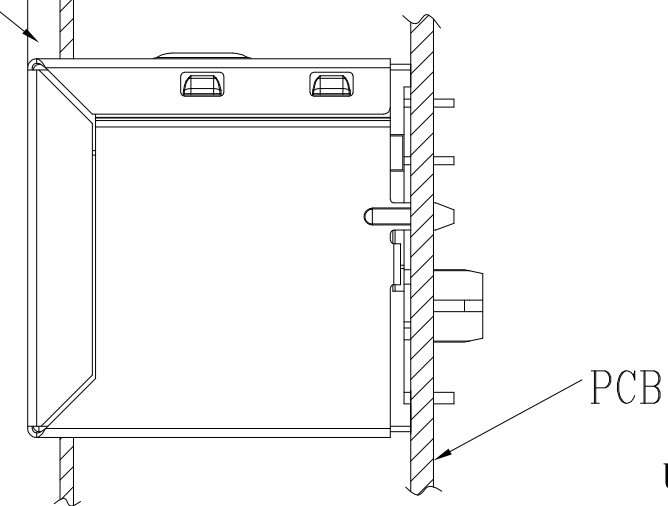
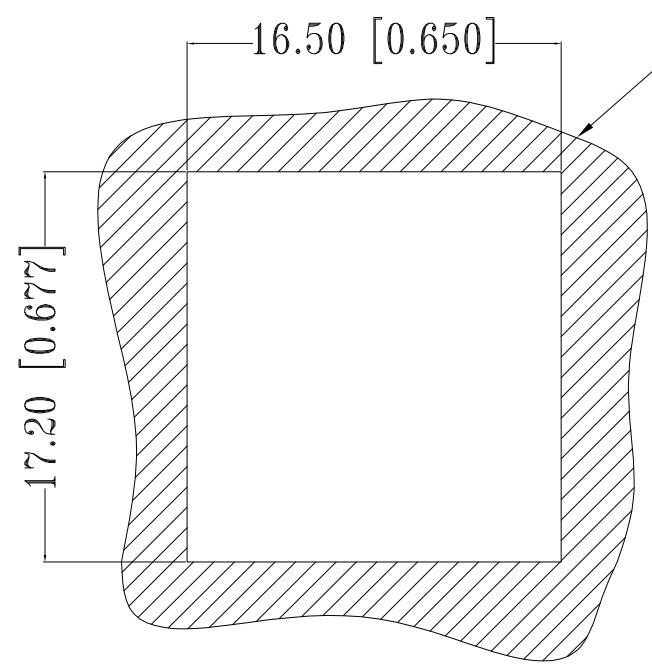
SUGGESTED PCB LAYOUT



Connector Boundary



METAL PANEL



PCB

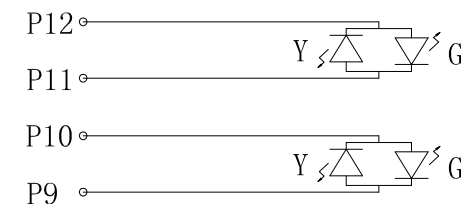
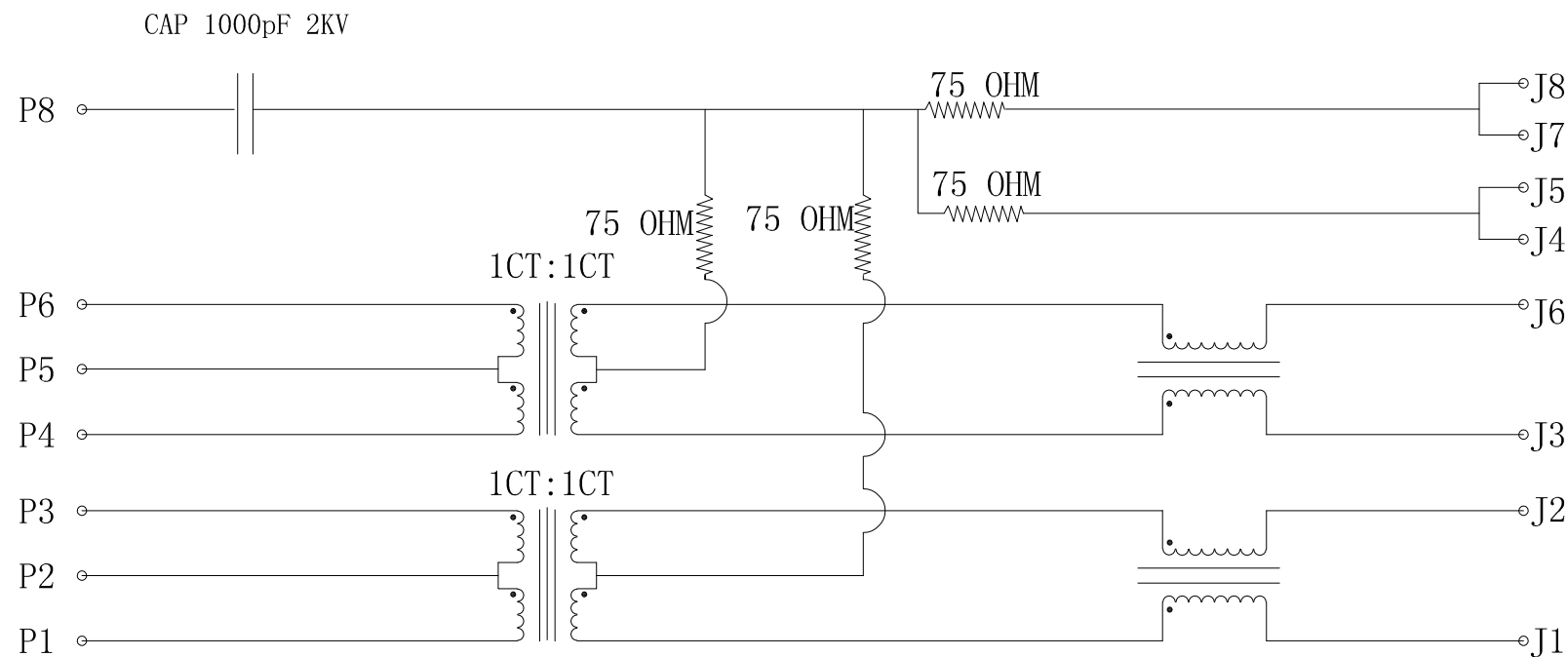
UNIT: mm / inch
 TOLERANCES: ±0.10 / 0.004

THIS DRAWING IS A CONTROLLED DOCUMENT.		DWN GANESH C M 27AUG2016	TE Connectivity		
DIMENSIONS: mm [INCHES]		CHK FRANZ MUELLER 27AUG2016			
TOLERANCES UNLESS OTHERWISE SPECIFIED:		APVD MARTIN SZELAG 27AUG2016	PRODUCT SPEC		
0 PLC ± - 1 PLC ± - 2 PLC ± - 3 PLC ± - 4 PLC ± - ANGLES ± -			APPLICATION SPEC		
MATERIAL		FINISH	108-94552	SIZE	RESTRICTED TO
			114-94447	CAGE CODE	
			WEIGHT	DRAWING NO	
			0	A300779	
			CUSTOMER DRAWING	SCALE	
				3:1	
				SHEET	
				2 OF 3	
				REV	
				A1	

REVISIONS

P	LTR	DESCRIPTION	DATE	DWN	APVD
-	-	SEE SHEET 1	-	-	-

ELECTRICAL CIRCUIT DIAGRAM



Pin	Yellow	Green	Pin	Yellow	Green
P12	-	+	P10	-	+
P11	+	-	P9	+	-

- 1.0 Turn Ratio @100KHz: (P1~P3):(J1~J2) = 1:1±2%
(P4~P6):(J3~J6) = 1:1±2%
- 2.0 Primary Inductance: 350uH MIN @100KHZ,0.1V 8mA DC BIAS
- 3.0 DC Resistance: 1.2 OHMS MAX
- 4.0 Insertion Loss: 1-100MHz -1.2dB MAX
- 5.0 Return Loss: 1-30MHz -16dB MIN
30-60MHz -12dB MIN
60-80MHz -10dB MIN
- 6.0 CROSS TALK: 1-100MHz -30dB MIN
- 7.0 COMMON TO COMMON MODE ATTENUATION: 1-100MHz -30dB MIN
- 8.0 Isolation: PHY Side to Line Side: 2250VDC

2301995-3
WWYY-xxxx

TE

FCC

CONTROL CODE
DATE CODE
"0213"

YY-YEAR
WW-WEEK

THIS DRAWING IS A CONTROLLED DOCUMENT.		DWN GANESH C M 27AUG2016	TE TE Connectivity		
DIMENSIONS: mm [INCHES]		CHK FRANZ MUELLER 27AUG2016			
TOLERANCES UNLESS OTHERWISE SPECIFIED:		APVD MARTIN SZELAG 27AUG2016	NAME RJ45 JACK INT.MAG. 10/100 LED 1x1 VERT		
0 PLC ± - 1 PLC ± - 2 PLC ± - 3 PLC ± - 4 PLC ± - ANGLES ± -		PRODUCT SPEC 108-94552	SIZE A3		
MATERIAL 1		FINISH 1	APPLICATION SPEC 114-94447	CAGE CODE 00779	DRAWING NO C-2301995-3
		WEIGHT 0	RESTRICTED TO -		
CUSTOMER DRAWING			SCALE 3:1	SHEET 3 OF 3	REV A1