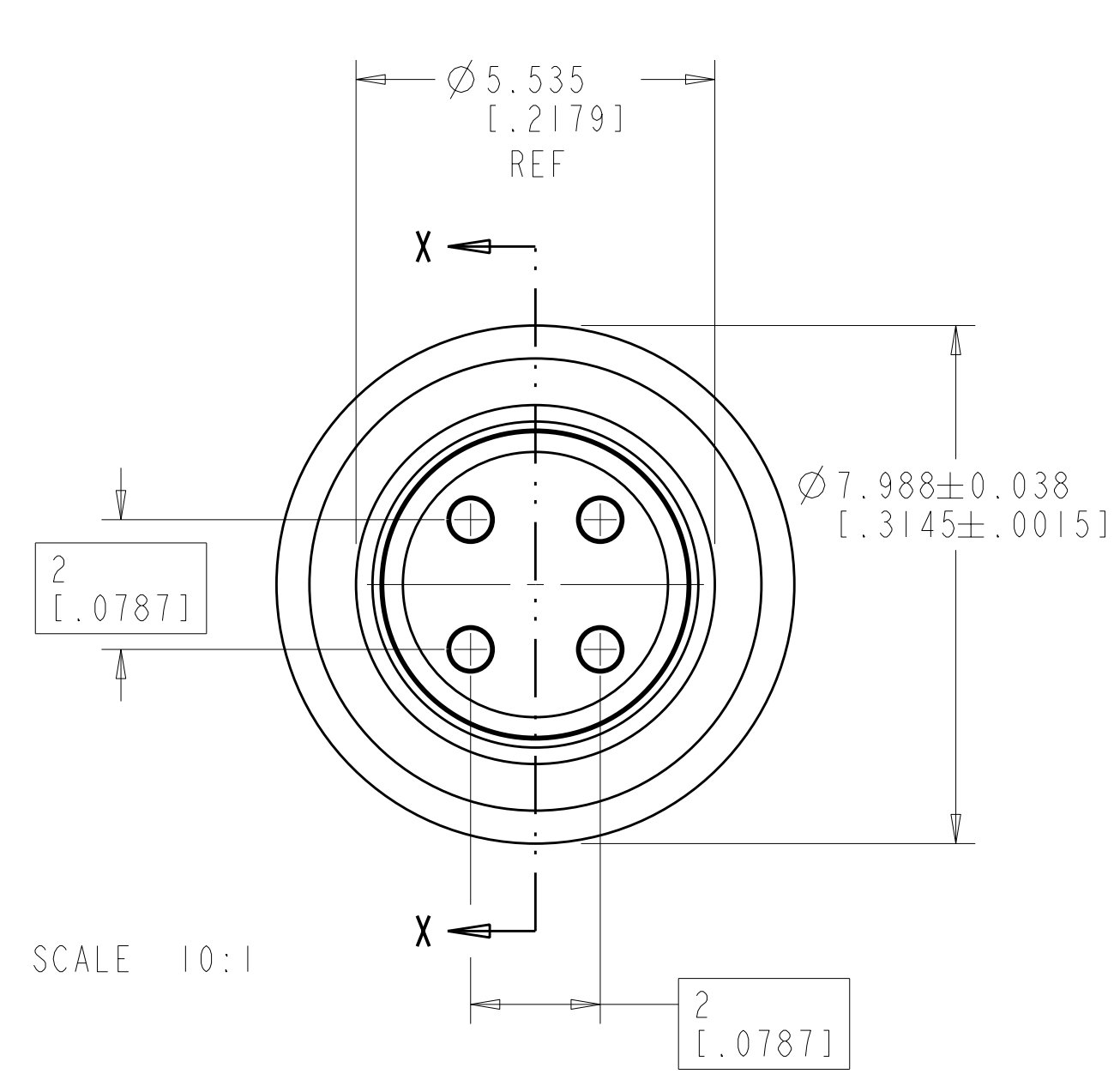
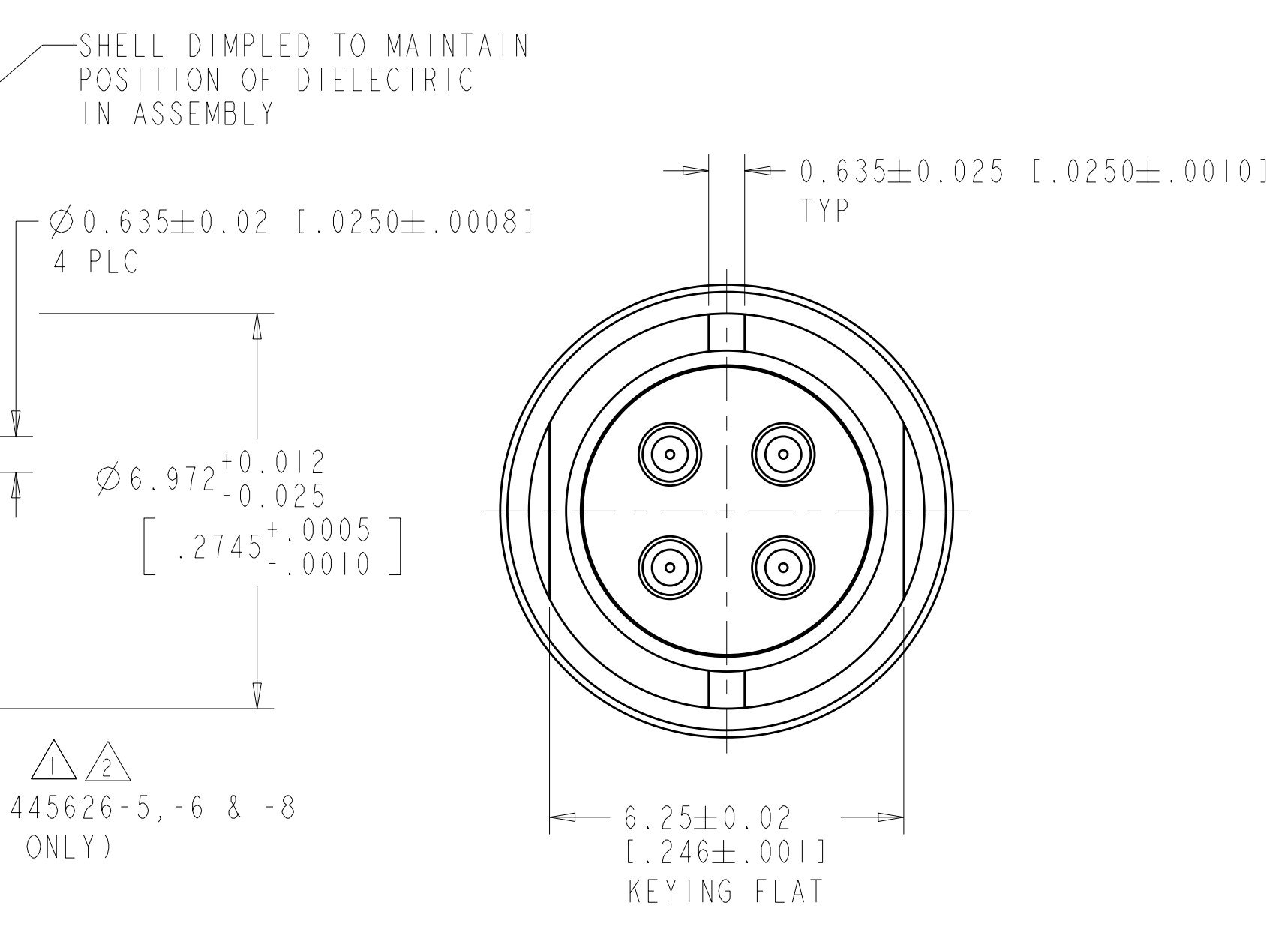
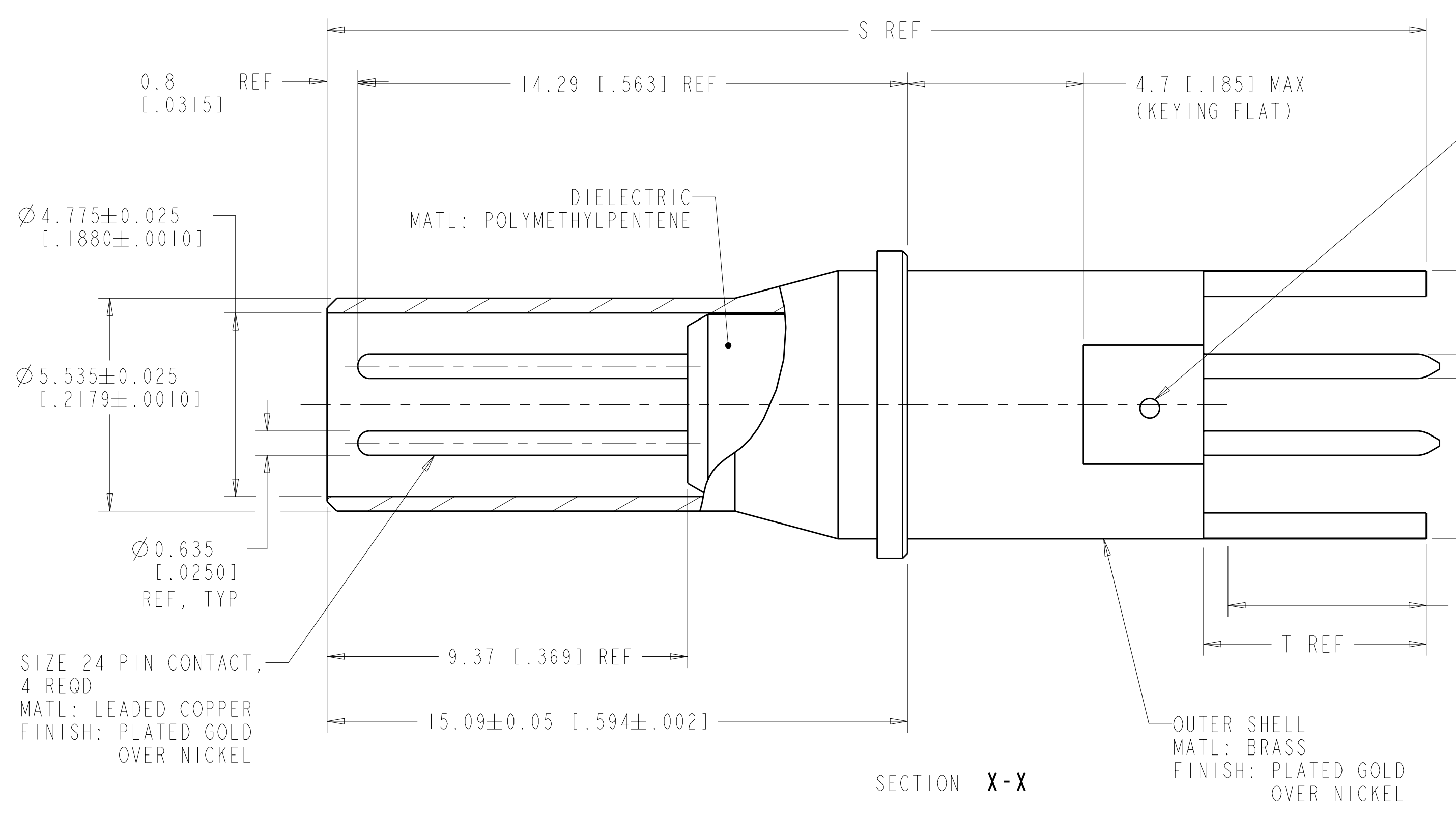


LOC	DIST	REV	DATE	BY	APPD
		K	2-7-12	CT	DM

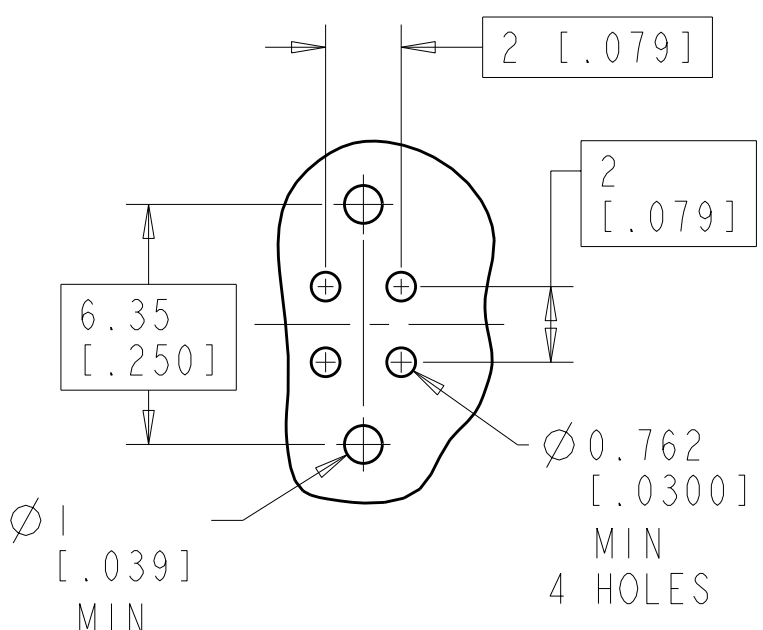
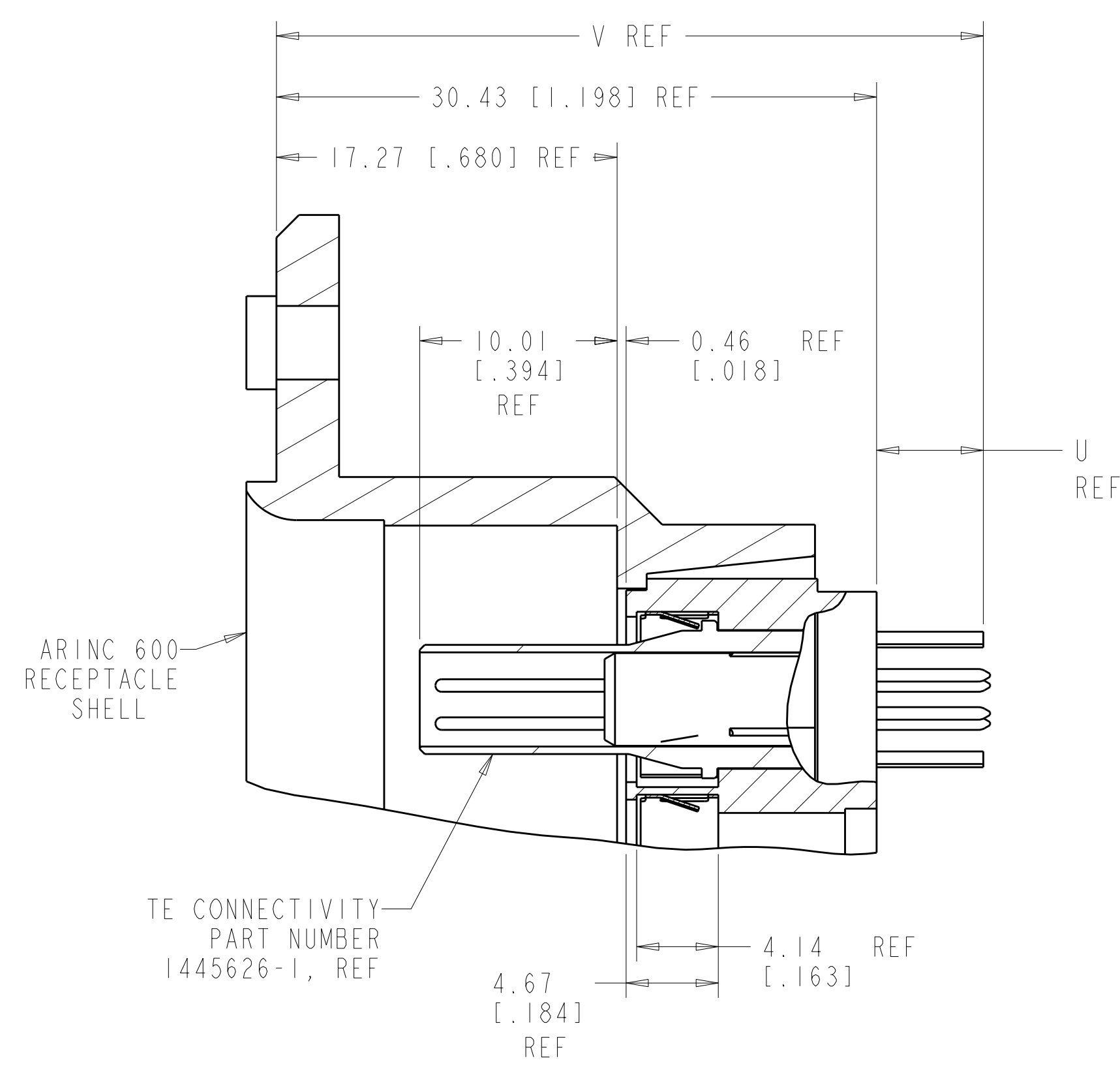
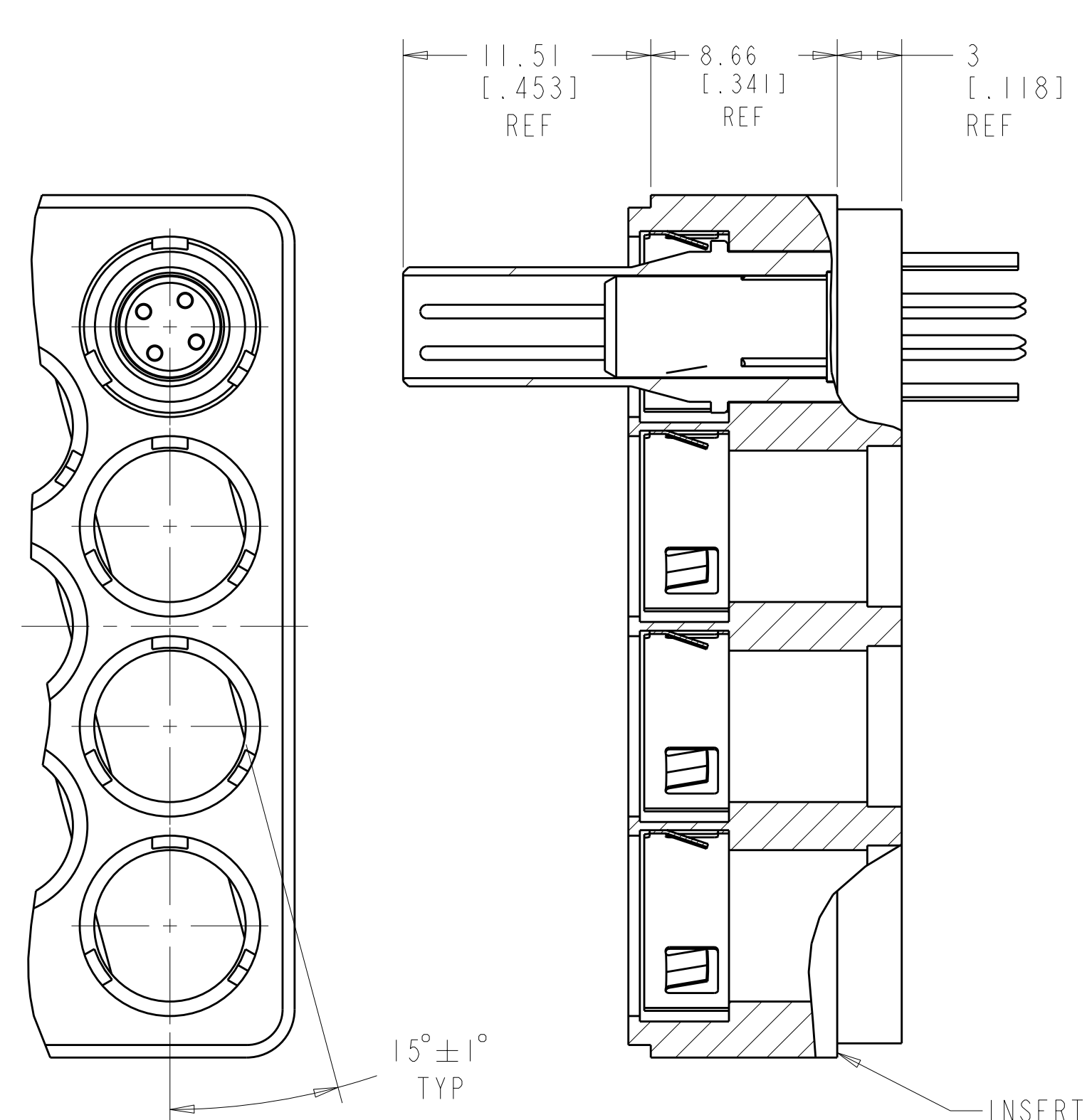


SCALE 10:1



△ THIS AREA SOLDER DIPPED. SOLDER TAIL DIMENSIONS APPLY PRIOR TO SOLDER DIP.  
 △ SOLDER IS RoHS COMPLIANT Sn.

3. CHARACTERISTIC IMPEDANCE: 100 OHMS NOMINAL



RECOMMENDED P.C. BOARD LAYOUT (ROTATED 15° CCW FOR EASE OF DOCUMENTATION)

V REF	U REF	T REF	S REF	DESCRIPTION	PART NO.
37.49 [1.476]	7.06 [0.278]	8.25 [0.325]	30.25 [1.191]	SAME AS 1445626-9 EXCEPT TAILS ARE SOLDER DIPPED △	1-1445626-0
37.49 [1.476]	7.06 [0.278]	8.25 [0.325]	30.25 [1.191]	SAME AS 1445626-1 EXCEPT WITH .278 SOLDER TAIL LENGTH	1445626-9
39.95 [1.573]	9.52 [0.375]	10.72 [0.422]	33.50 [1.319]	SAME AS 1445626-2 EXCEPT TAILS ARE SOLDER DIPPED △	1445626-8
35.84 [1.411]	5.41 [0.213]	5.79 [0.228]	28.58 [1.125]	SAME AS 1445626-1 EXCEPT TAILS ARE SOLDER DIPPED △	1445626-6
36.78 [1.448]	6.35 [0.250]	7.54 [0.297]	30.33 [1.194]	SAME AS 1445626-4 EXCEPT TAILS ARE SOLDER DIPPED △	1445626-5
36.78 [1.448]	6.35 [0.250]	7.54 [0.297]	30.33 [1.194]	SAME AS 1445626-1 EXCEPT WITH .250 SOLDER TAIL LENGTH	1445626-4
34.65 [1.364]	4.2 [0.166]	4.60 [0.181]	27.38 [1.078]	SAME AS 1445626-1 EXCEPT WITH .166 SOLDER TAIL LENGTH	1445626-3
39.95 [1.573]	9.52 [0.375]	10.72 [0.422]	33.50 [1.319]	SAME AS 1445626-1 EXCEPT WITH .375 SOLDER TAIL LENGTH	1445626-2
35.84 [1.411]	5.41 [0.213]	5.79 [0.228]	28.58 [1.125]	PER ARINC 664 STANDARD;	1445626-1

QUADRAX PIN ASSY, 1445626-1, SHOWN INSTALLED IN ARINC 664, SIZE 2 INSERT WITH SIZE 8, FRONT RELEASE, FRONT REMOVABLE CAVITY

THIS DRAWING IS A CONTROLLED DOCUMENT. DWG: Brent D. Toth, JAN2004; CHK: W.H.BERNHART, JAN2004; APPD: W.H.BERNHART, JAN2004.

**STE** TE Connectivity

NAME: ASSEMBLY, PIN, QUADRAX, 2mm SO, FRONT RELEASE-FRONT REMOVABLE, ADN, WITH PIN CONTACTS

SIZE: A1, CAGE CODE: 00779, DRAWING NO: 114-13123, REV: K

SCALE: 3:2, SHEET: 1 OF 1