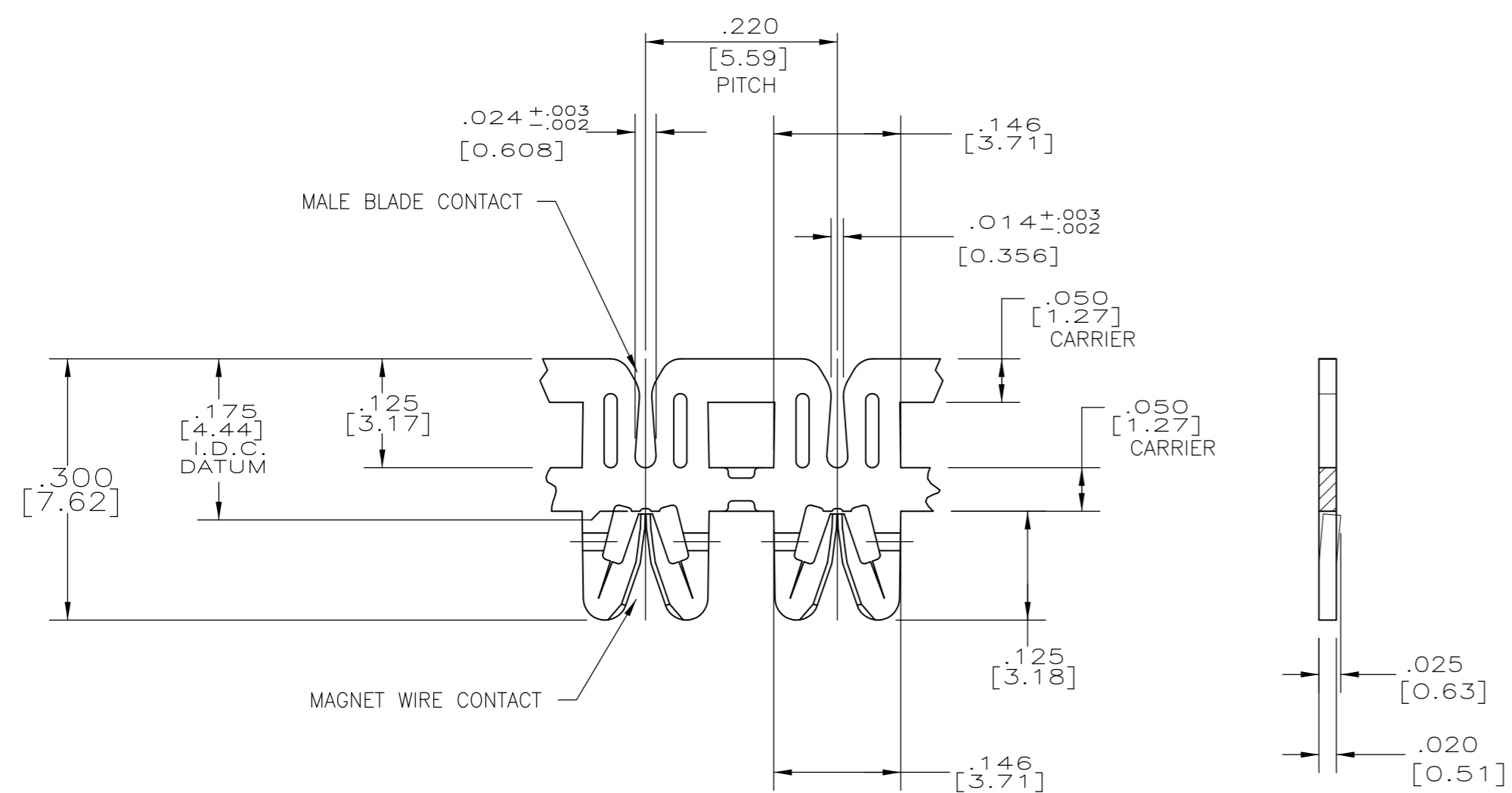
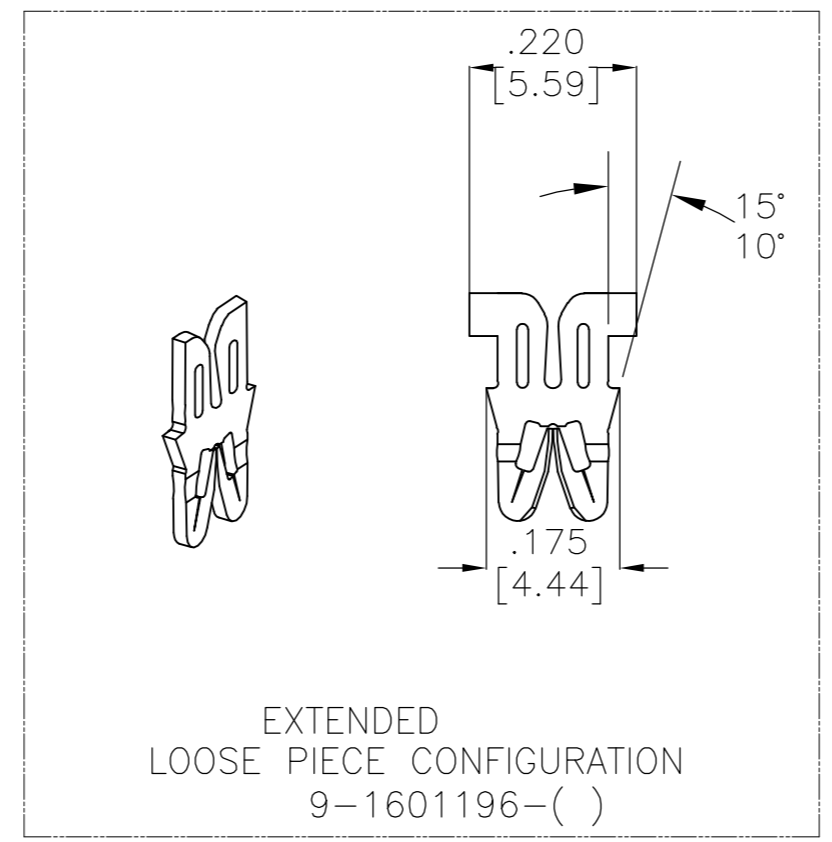
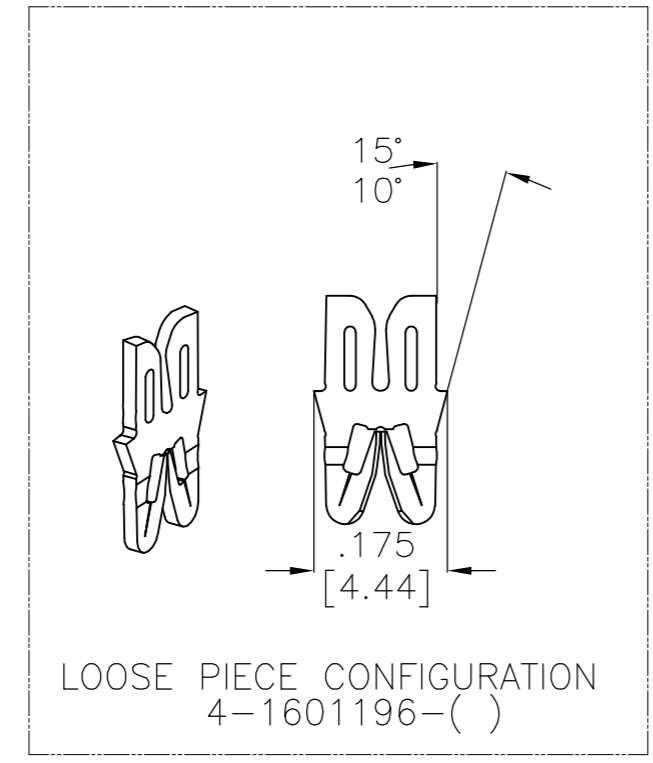
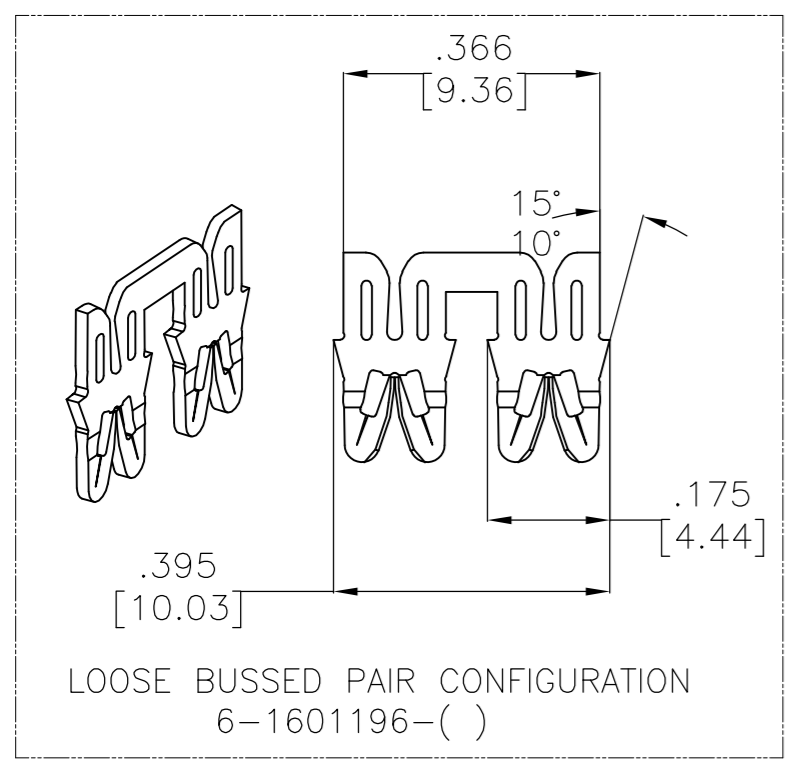
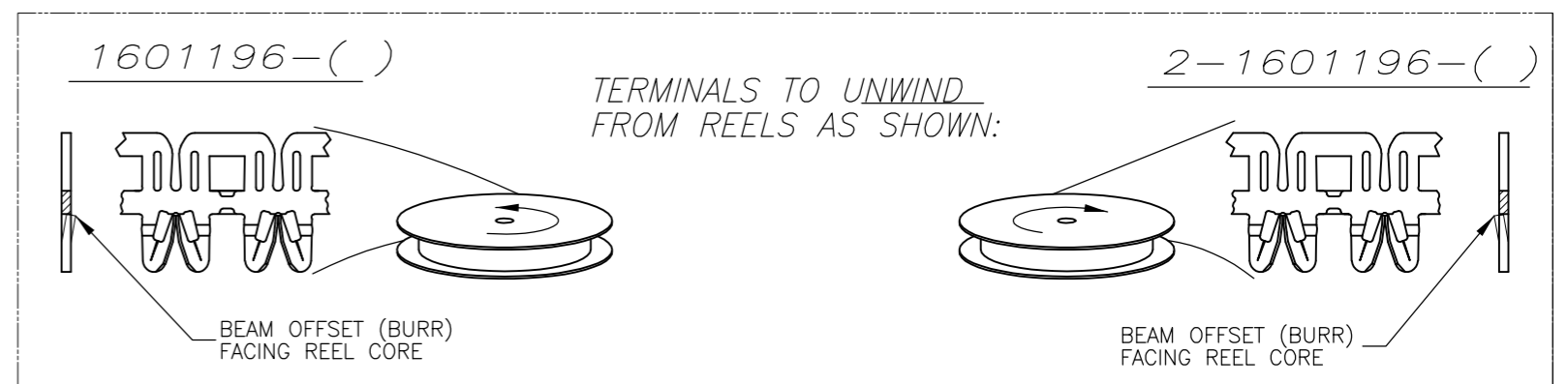
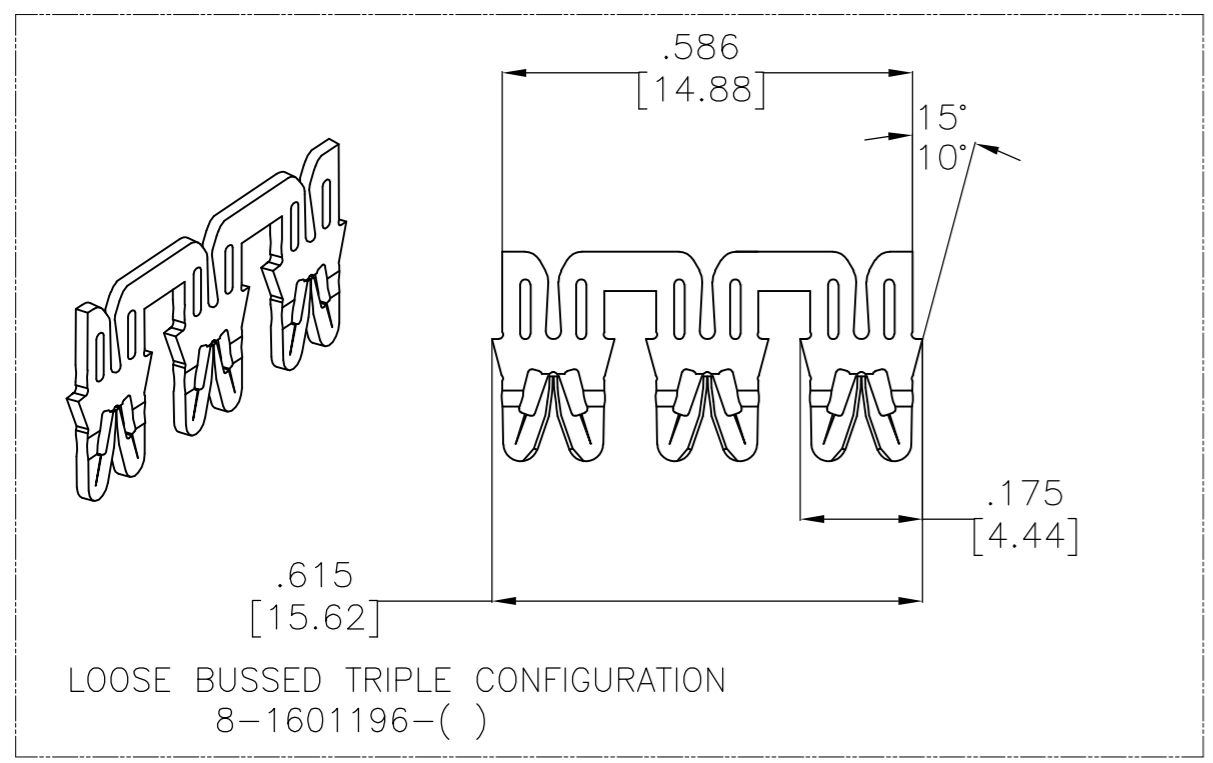


THIS DRAWING IS UNPUBLISHED. RELEASED FOR PUBLICATION  
 © COPYRIGHT - By - ALL RIGHTS RESERVED.

LOC		DIST		REVISIONS			
P	LTR	DESCRIPTION		DATE	DWN	APVD	
AF	50	B1	REVISED PER ECR-13-000608		17JAN13	KH	GJ



- 1 SPECIFICATIONS:  
MAGNET WIRE #18 - #34 AWG, .006"(0.16MM)-.040"(1.02MM) DIA COPPER. OTHER SIZES MAY BE ACCOMMODATED, CONSULT TYCO ELECTRONICS FOR APPROVAL. MALE BLADE .020" (0.5mm) THICK BRASS
- 2 POCKET RECOMMENDATION: #1601426
- 3 TERMINAL APPLICATION TO COMPLY WITH TYCO ELECTRONICS SPECIFICATION 114-13166 FIGURE 11.
- 4 PRELIMINARY - NOT FOR PRODUCTION
- 5 TWO (2) TERMINALS SHOWN FOR ILLUSTRATION PURPOSES ONLY.
- 6 PRE-PRODUCTION - FASR REQUIRED.



FINISH		PART NUMBER	
UNPLATED	4	9-1601196-1	
UNPLATED	4	8-1601196-1	
UNPLATED	4	6-1601196-1	
UNPLATED		2-1601196-1	
POST TIN OVER NICKEL	6	1601196-2	
UNPLATED		1601196-1	
FINISH		PART NUMBER	

THIS DRAWING IS A CONTROLLED DOCUMENT.		DWN MICHAEL S. FEHER 25MAY2004	
DIMENSIONS: mm [INCHES]		CHK GENE JACONO 25MAY2004	
TOLERANCES UNLESS OTHERWISE SPECIFIED:		APVD GENE JACONO 25MAY2004	NAME
0 PLC ± -	1 PLC ± -	PRODUCT SPEC	STANDARD RANGE HIGH CARRIER
2 PLC ± .01[0.25]	3 PLC ± .005[0.13]	APPLICATION SPEC	WIRE TO BLADE SIAMEZE TERMINAL
4 PLC ± - 2'	ANGLES ± 2'	108-2085	
MATERIAL BRASS, SPRING HARD	FINISH SEE TABLE	WEIGHT -	SIZE A2
		CUSTOMER DRAWING	CAGE CODE 00779
		SCALE 1:1	DRAWING NO C=1601196
		SHEET 1 OF 1	RESTRICTED TO -
		REV B1	