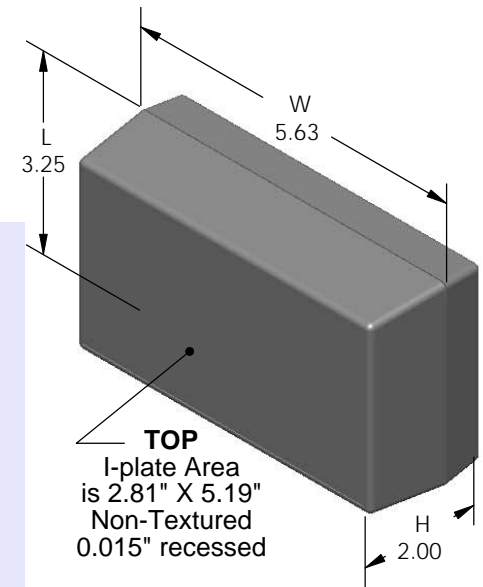
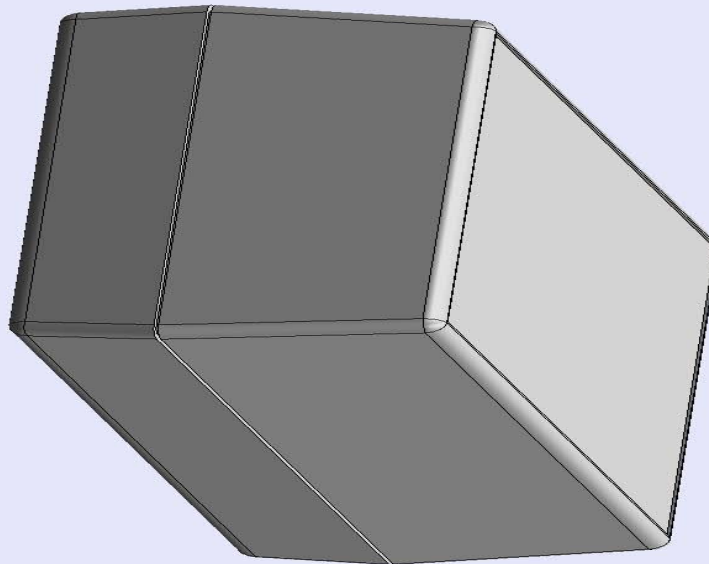


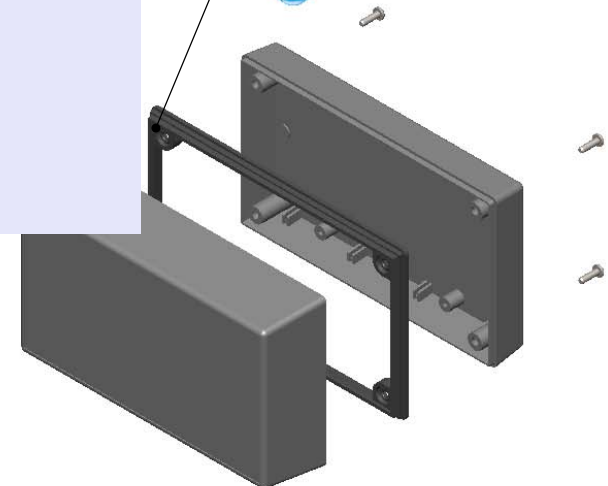
# SERPAC 152i (exploded isometric)

Electronic Enclosures

-Click on image to show toolbar. Use  to Play/Pause Animation.  
 -Left click and drag on image to move 3D model.



Water proofing gasket  
 PS15 (optional)  
 see note #2



- a) Zoom in & out with center wheel.
- b) Pause at any moment to view and or print views.
- c) Change the views to ortho and section views if needed from the Views pull down menu.
- d) Explore options included in the tool bar like: Views, Transparency of model, Lighting type, etc.

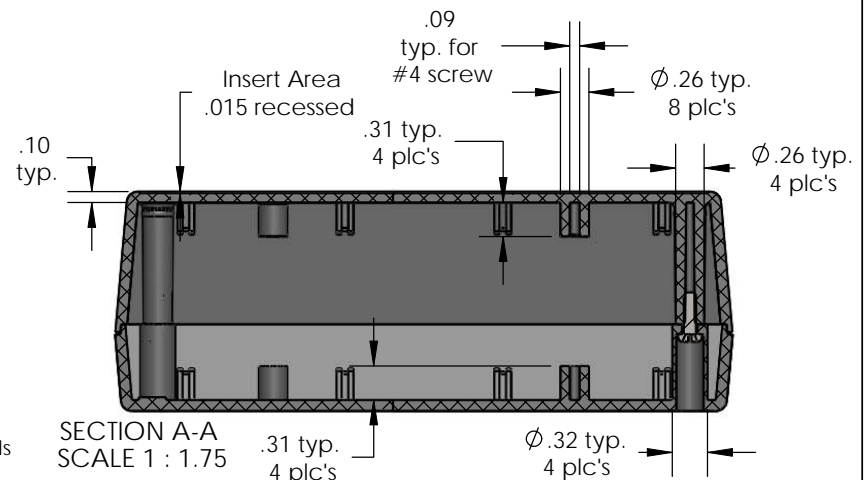
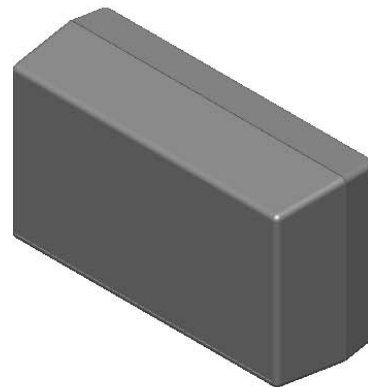
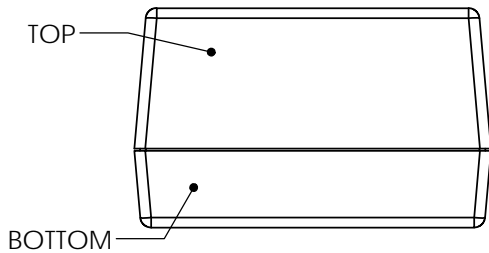
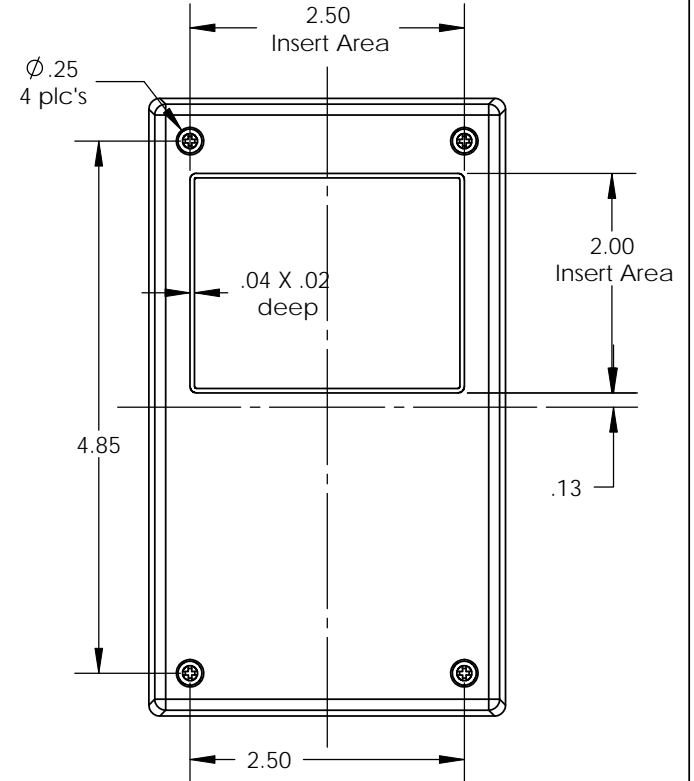
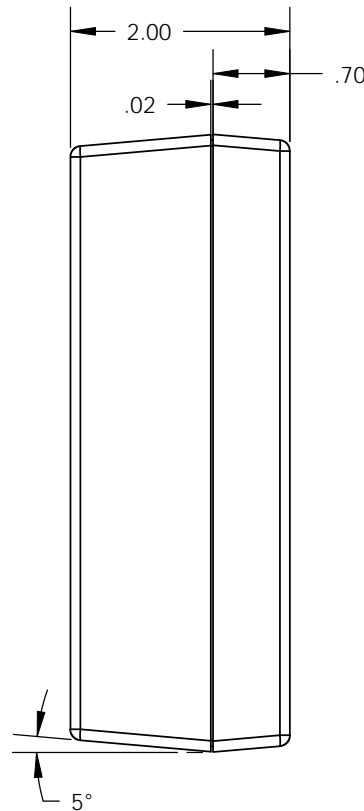
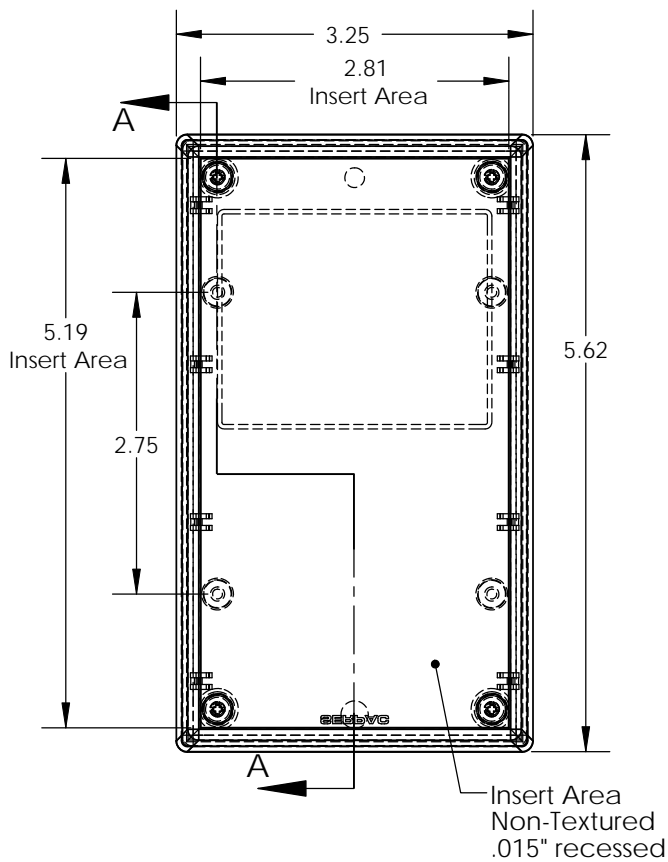
| PART NO. | DESCRIPTION (Included)   | ACCESSORIES (Optional) |                      |
|----------|--------------------------|------------------------|----------------------|
| 5-2-i    | TOP                      | PART NO.               | DESCRIPTION          |
| 15       | BOTTOM                   | 50                     | Non-skid Feet        |
| 6005     | #4X3/8" Self tapping (4) | PS15                   | Perimeter Seal       |
|          |                          | 350                    | Prototype grid board |
|          |                          | 450                    | Prototype clad board |

Notes: Enclosure weight .26 lbs / 119 gm  
 1) Enclosure meets or exceeds IP40 and NEMA 1  
 2) When used with PS15 the enclosure meets or exceeds IP 67 and NEMA 4X, 12 and 13 MIL-STD-810G 506.5  
 3) Circuit Board drawings can be download at:  
<http://www.serpac.com/Accessories/CircuitBoard/drawings/350-450-cbg.pdf>  
 4) All components are RoHS Compliant.

ALL DIMENSIONS ARE ±.010" 3/22/10 (1 of 2)  
 619 Commercial Ave. Covina, CA 91723  
 Ph. (626) 331-0517 Fx. (626) 331-8584 serpac.com

# SERPAC 152i (user print)

Electronic Enclosures



| PART NO. | DESCRIPTION (Included)   | ACCESSORIES (Optional) |                      |
|----------|--------------------------|------------------------|----------------------|
| 5-2-i    | TOP                      | PART NO.               | DESCRIPTION          |
| 15       | BOTTOM                   | 50                     | Non-skid Feet        |
| 6005     | #4X3/8" self tapping (4) | PS15                   | Perimeter Seal       |
|          |                          | 350                    | Prototype grid board |
|          |                          | 450                    | Prototype clad board |

- Notes:
- 1) Enclosure weight .26 lbs / 119 gm
  - 2) Enclosure meets or exceeds IP40 and NEMA 1
  - 3) When used with PS-15 the enclosure meets or exceeds IP 67 and NEMA 4X, 12 and 13 MIL-STD-810G 506.5
  - 4) Circuit Board drawings can be download at: <http://www.serpac.com/Accessories/CircuitBoard/drawings/350-450-cbg.pdf>
  - 4) All components are RoHS Compliant.

SECTION A-A  
SCALE 1 : 1.75