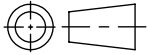
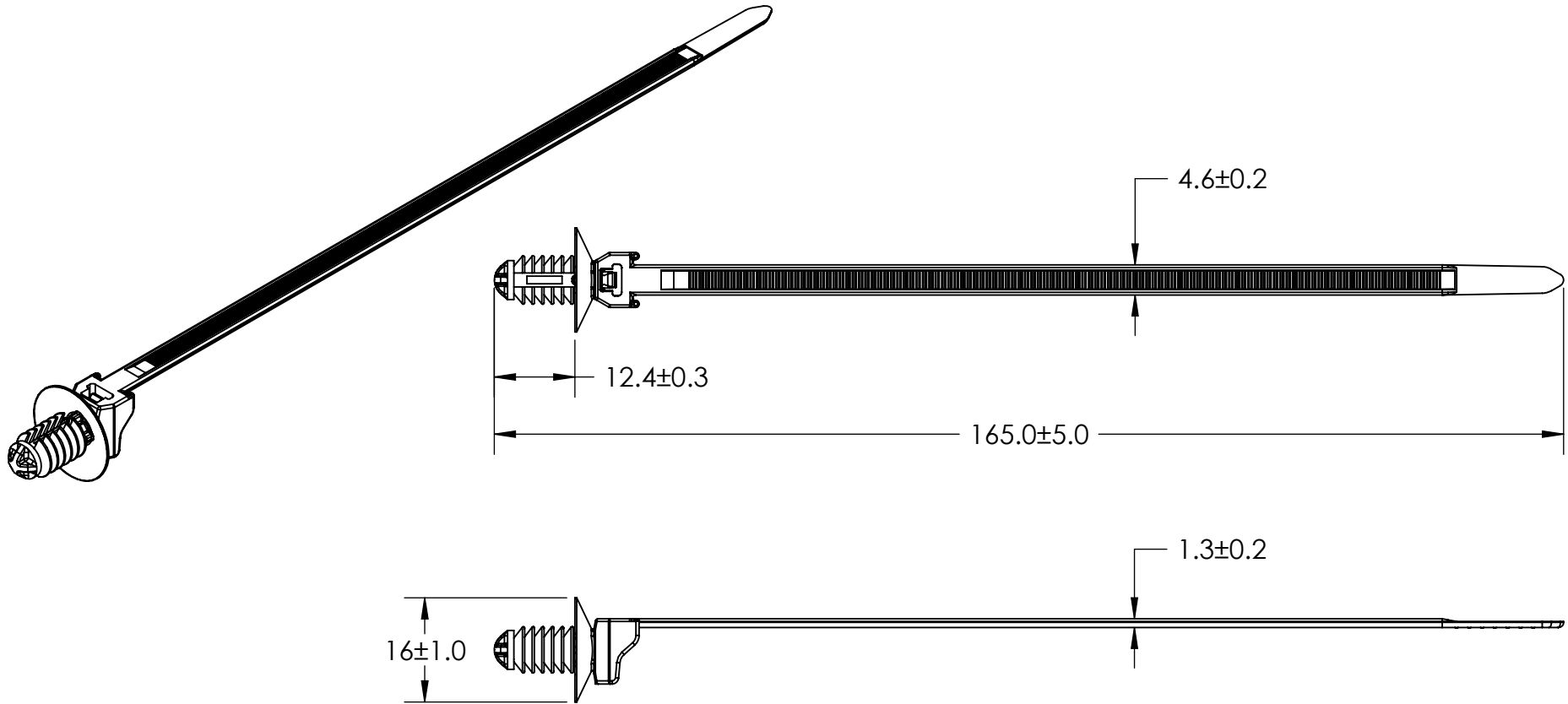


SW2009



Revision level		Revision Record	Changed	Date	Approved	Date
Drawing	Part					
02	-	SEE ECN# 011580	AAC	7/14/2010	AAC	07/14/2010



Material  
PA66HS BLACK

1.0 to 35.0	180	6.3-7.0	0.7-7.0
Bundle $\phi$ Range	Min Loop Tensile Strength (Newtons)	Mounting Hole Size	Panel Thickness Range
PERFORMANCE SPECIFICATIONS			

Units millimeters  
Dimension without tolerances details to:  
.xxxx =  $\pm 0.0025$   
.xxx =  $\pm 0.013$   
.xx =  $\pm 0.13$   
.x =  $\pm 0.3$   
None =  $\pm 0.8$   
 $\angle$  =  $\pm 0.5^\circ$

The copyright of this drawing is reserved by HellermannTyton. It is issued on condition that it is not reproduced, copied, or disclosed to a third party, either wholly or in part, without the consent of HellermannTyton.

Drawn	AAC	7/12/2010
Approved	AAC	07/14/2010
<b>HellermannTyton</b>		
North America Email: corp@htamericas.com Web: www.hellermann.tyton.com		

Article/Type-No	T50SOSFT6LGE	Scale	1:1
Title	T50SOSFT6LG-E T50S OUTSIDE SERRATED WITH FIR TREE	Project Number	PRP09-0334
Drawing-No	CT09-0334-003CST	Production : Phase	Format AH
			Sheet 1/1

**Product Number**  
**Cross Reference Record**

Uncontrolled Document

<b>Pre-UNS Number System</b>	<b>(New) UNS Universal Number System</b>	<b>Customer Part Number</b>
Product Number  T50SOSFT6LGE	Product Number  157-00097	Product Number  -
Reference Drawing Number: CT09-0334-003CST		

Issued By:	(New) UNS Product Number	Issue Date:
<b>HellermannTyton</b>	<b>Universal Numbering System</b>	November 11, 2011