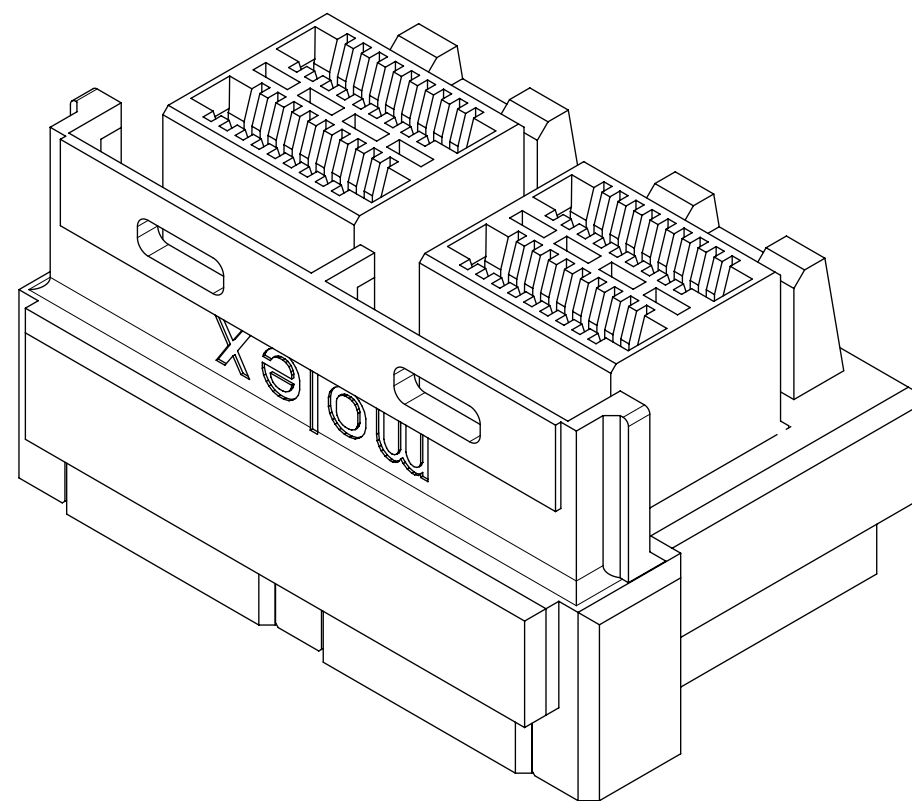
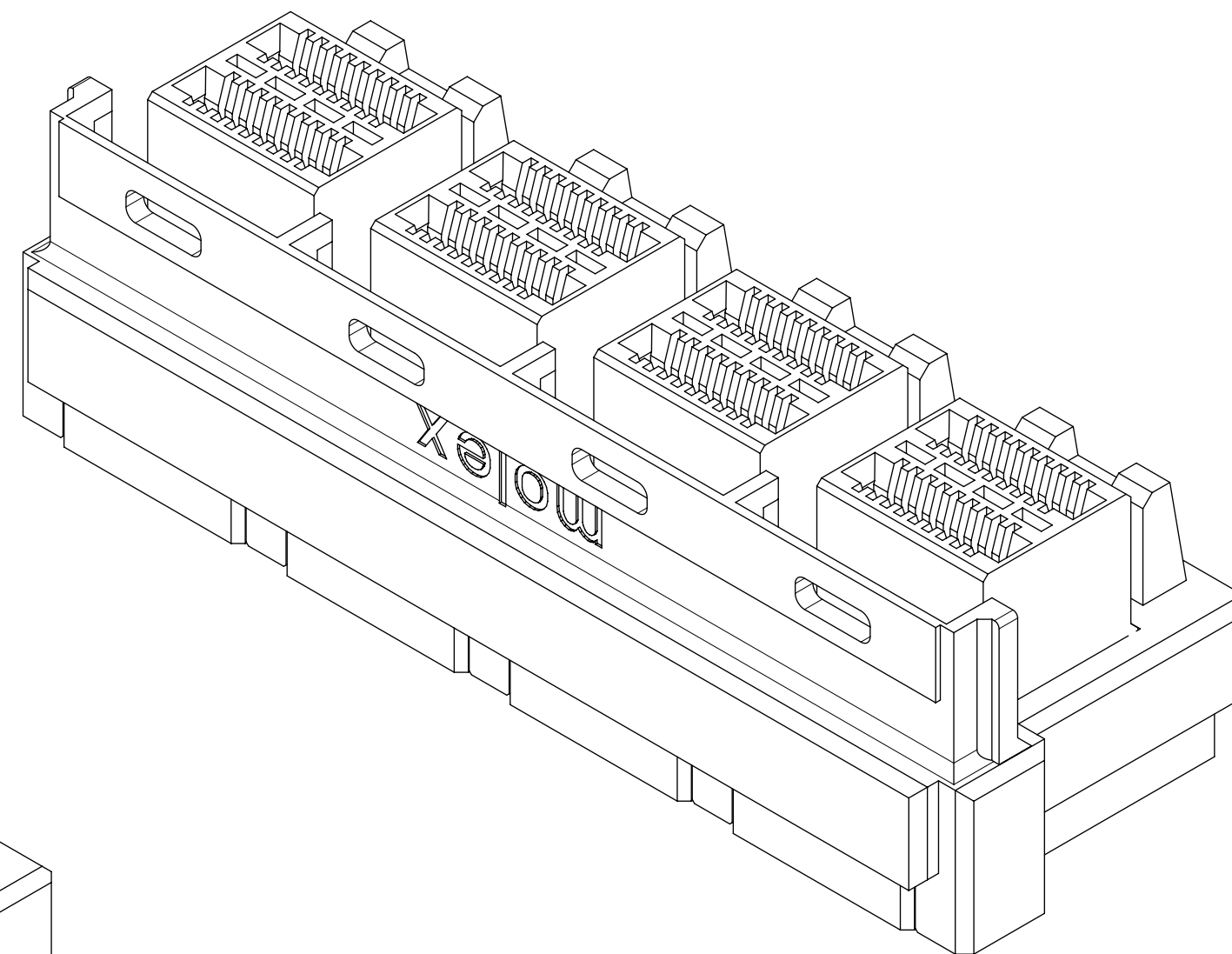


1 X 1



1 X 2



1 X 4

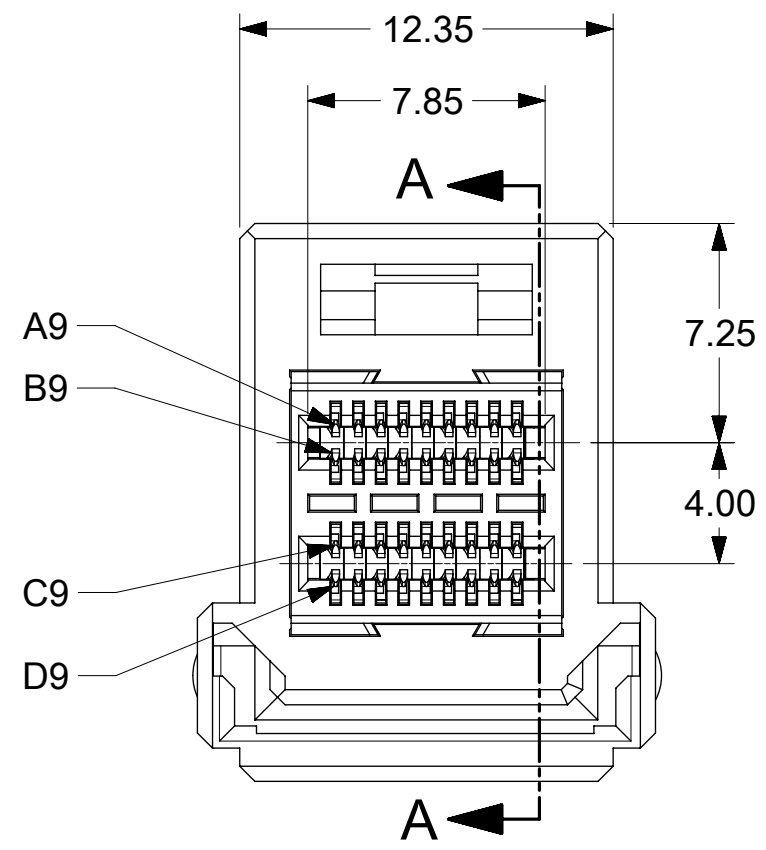
NOTES:

1. MATERIALS:
CONNECTOR HOUSING: HIGH TEMPERATURE THERMOPLASTIC
GLASS FILLED, UL 94V-0
TERMINALS: COPPER ALLOY
2. FINISHES:
CONTACT AREA: 0.76 μ M MIN GOLD OVER 3.81 μ M MIN NICKEL
COMPLIANT AREA: 0.76 μ M MIN TIN (LEAD FREE)
OVER 1.27 μ M MIN NICKEL
3. PRODUCT SPECIFICATION: PS-170729-001
4. PACKAGING SPECIFICATION: PK-76867-002
5. MATES WITH: MOLEX CABLE SERIES 111074 & 111076
6. MOUNTING HARDWARE NOT SUPPLIED.
REFER TO APPLICATION SPECIFICATION AS-170729-0001.
7. PLUG MODULE PCB LAYOUT REFER TO SD-76866-9900

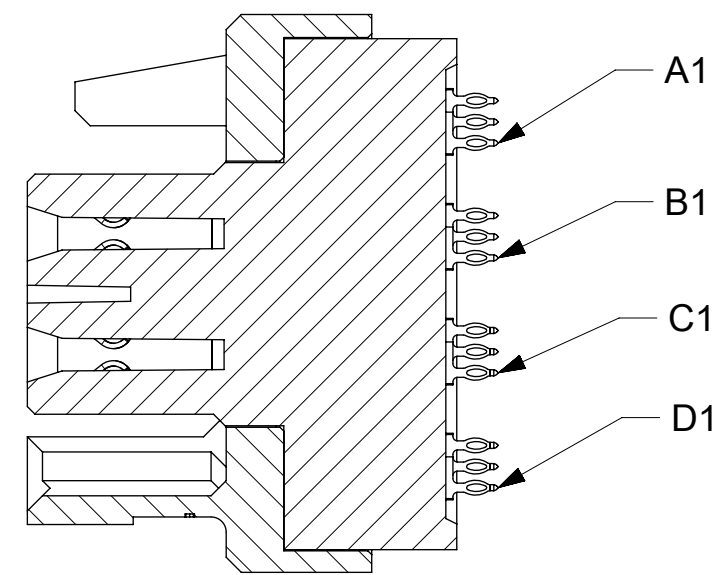
CONFIGURATION	MATERIAL NUMBER	TERMINAL OPTION	DIM 'A'
1X1	170729-0001	SHORT PIN	1.37
1X2	170729-0002		
1X4	170729-0004		
1X1	170729-1001	LONG PIN	1.62
1X2	170729-1002		
1X4	170729-1004		

THIS DRAWING CONTAINS INFORMATION THAT IS PROPRIETARY TO MOLEX ELECTRONIC TECHNOLOGIES, LLC AND SHOULD NOT BE USED WITHOUT WRITTEN PERMISSION											
MIGRATED	EC NO: 108895	2016/07/16	GENERAL TOLERANCES (UNLESS SPECIFIED)		DIMENSION UNITS	SCALE	molex [®]				
	DRWN: ABN	2016/09/23	ANGULAR TOL \pm 2.0 °		MM	4:1					
	CHKD:		4 PLACES \pm	DRWN BY	DATE	IPASS VERTICAL ZHD INTERNAL ASSEMBLY 1X1, 1X2, 1X4					
	APPR: SMILLER		3 PLACES \pm	KLANG	2015/01/05						
			2 PLACES \pm 0.13	CHKD BY	DATE	PRODUCT CUSTOMER DRAWING					
			1 PLACE \pm 0.25	TMCCLELL	2016/09/14						
		0 PLACES \pm	APPR BY	DATE	SERIES	MATERIAL NUMBER	CUSTOMER		GENERAL MARKET		
		DRAFT WHERE APPLICABLE MUST REMAIN WITHIN DIMENSIONS	MBANAKIS	2015/01/07	170729	SEE CHART					
A	REV		DRAWING SIZE	THIRD ANGLE PROJECTION	C	DOCUMENT NUMBER		DOC TYPE	DOC PART	SHEET NUMBER	
						SD-170729-0001	PSD	000		1 OF 8	

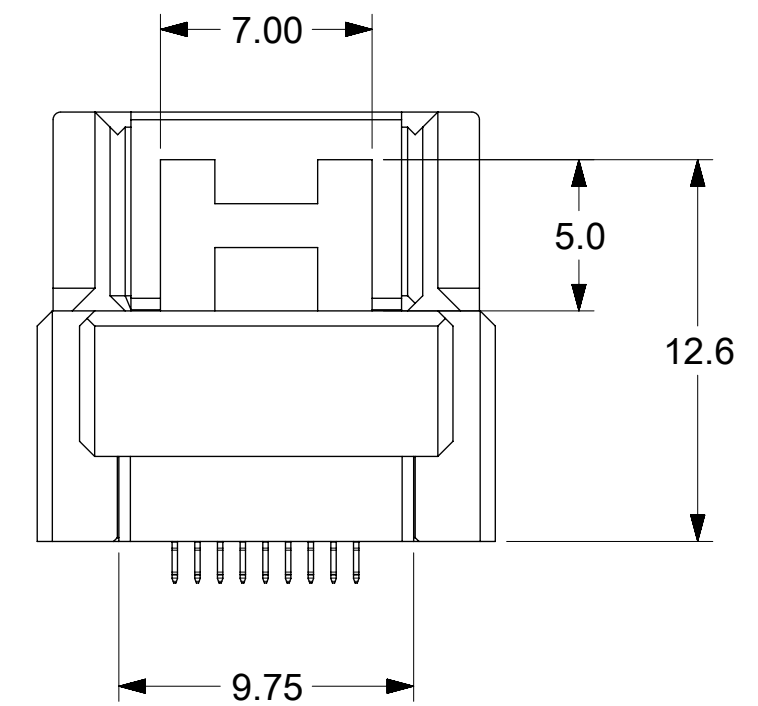
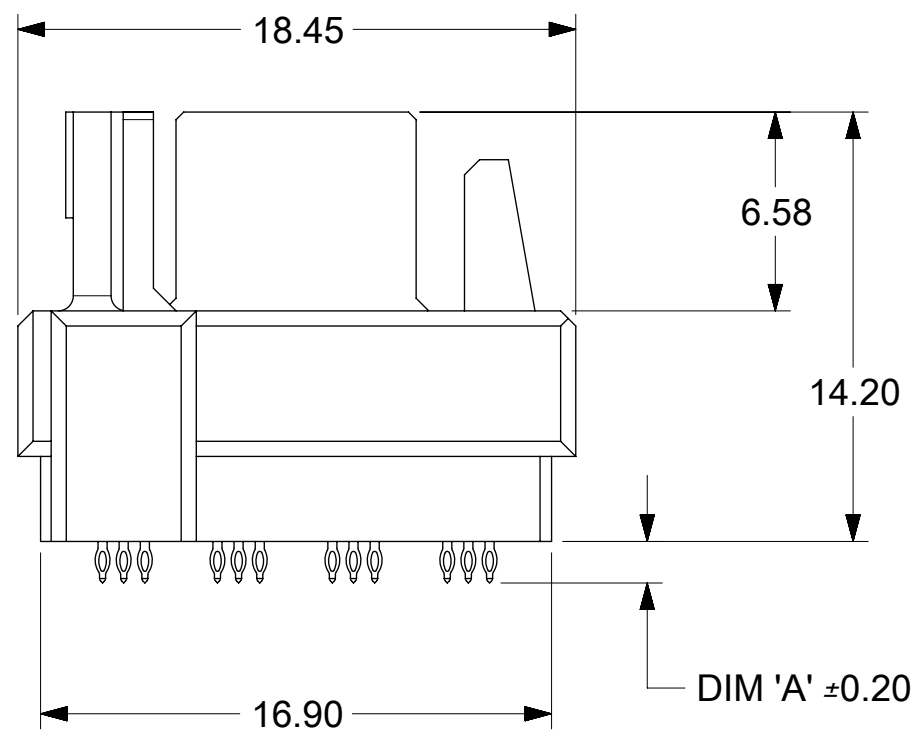
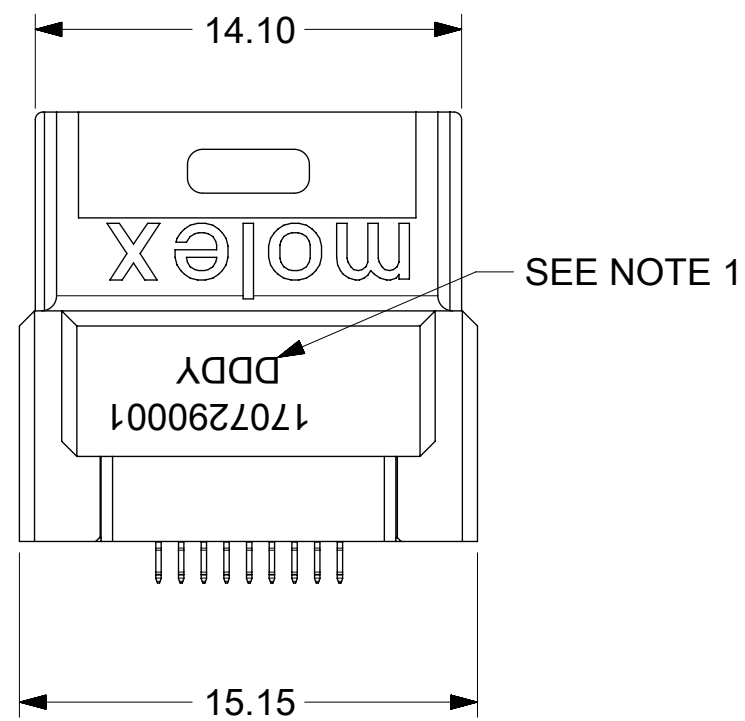
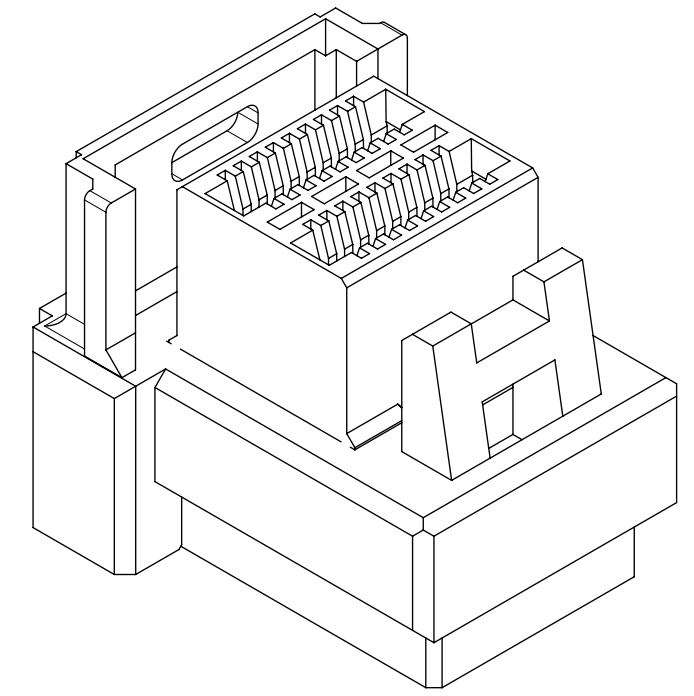
RELEASE STATUS	RELEASE DATE
12	11



1X1 ASSEMBLY



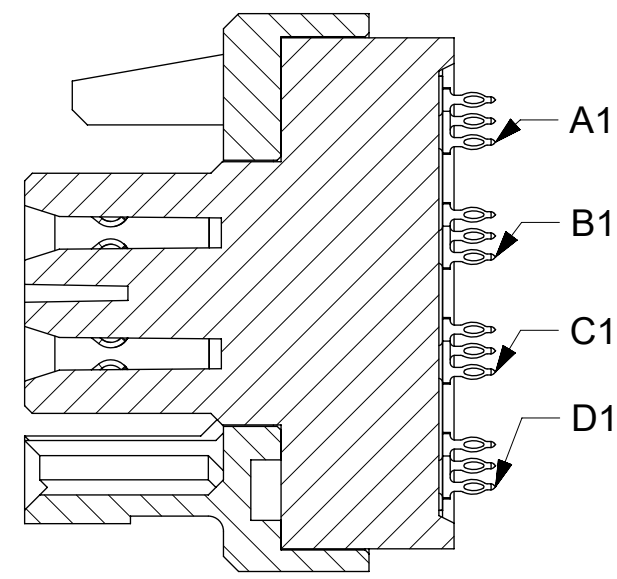
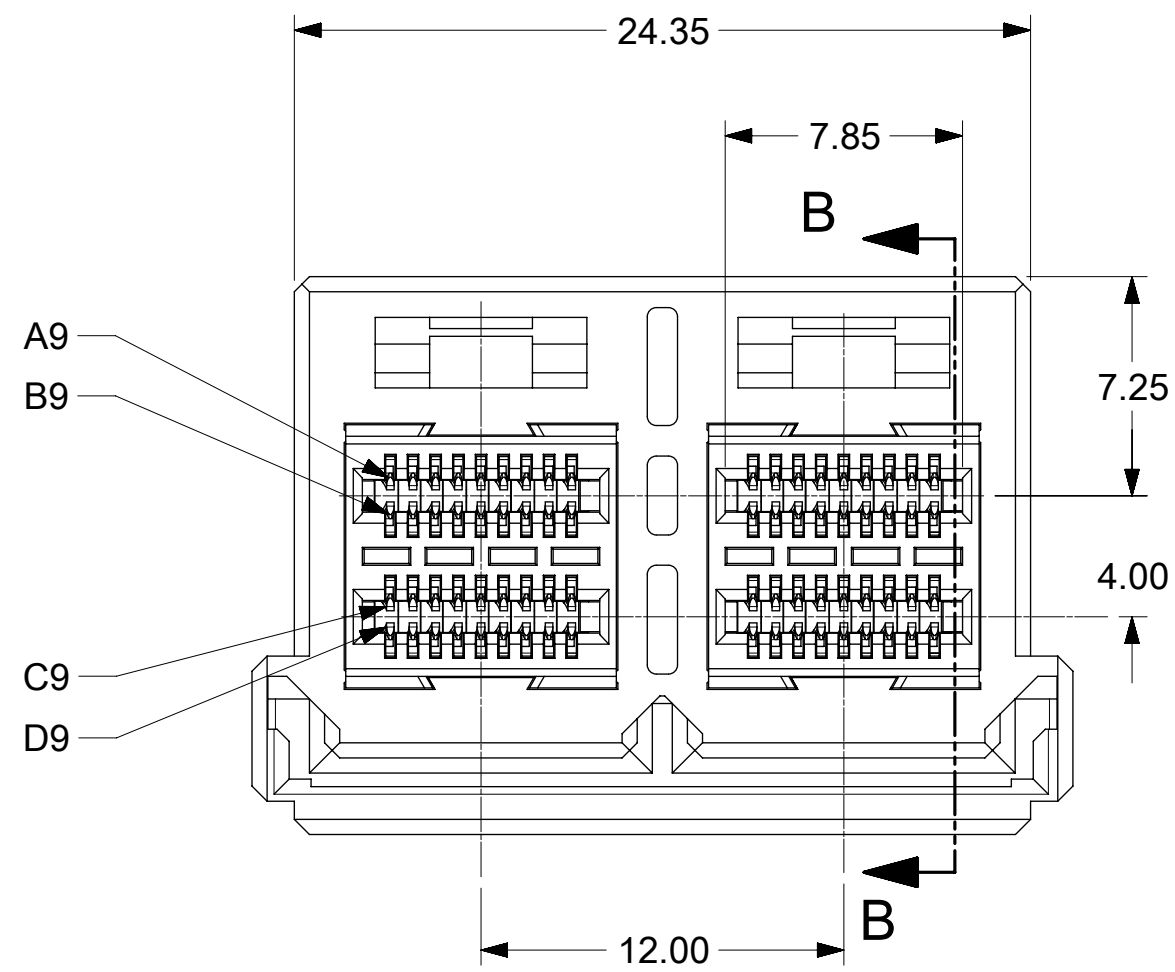
SECTION A-A
SCALE 4:1



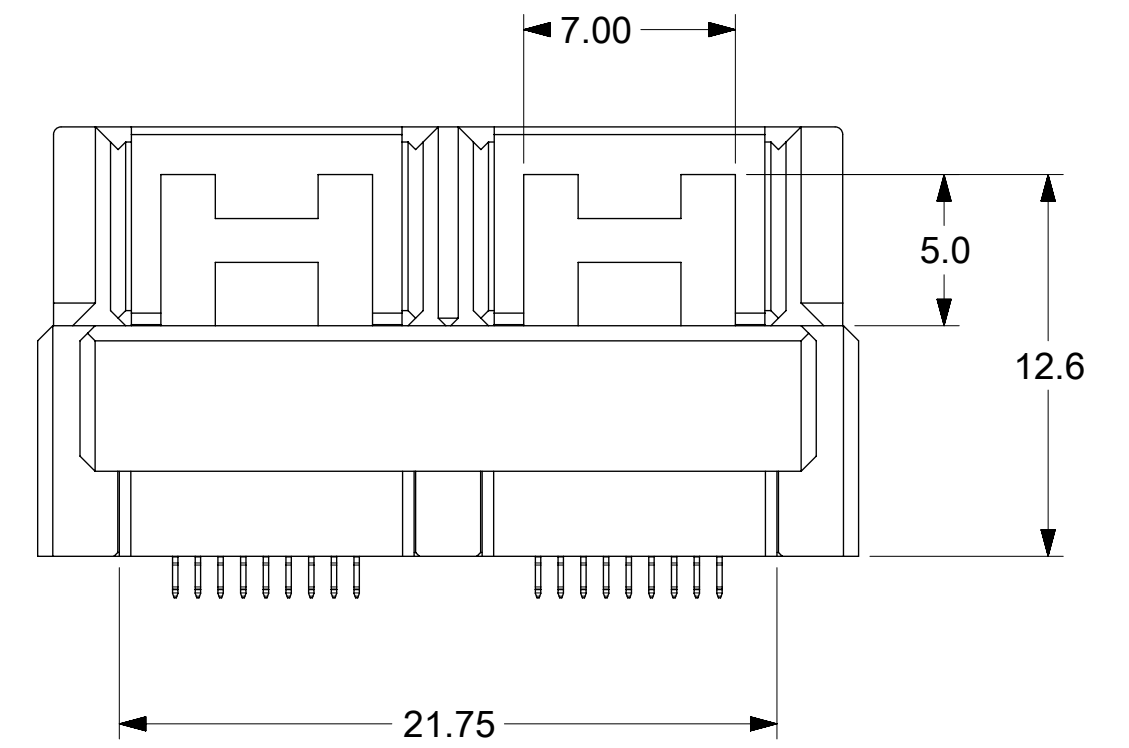
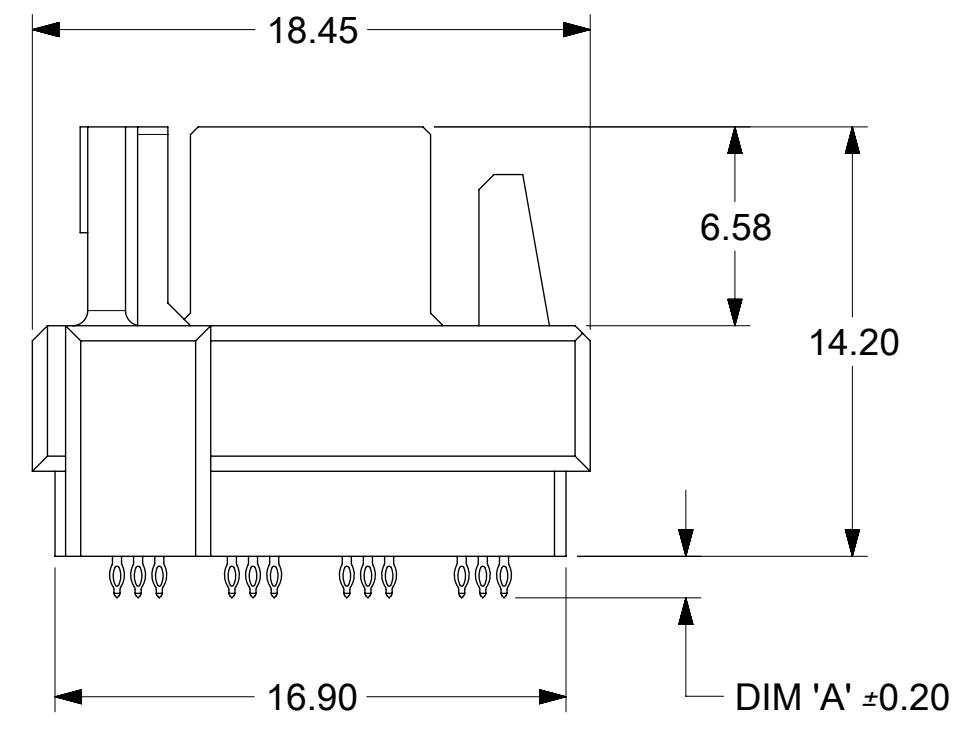
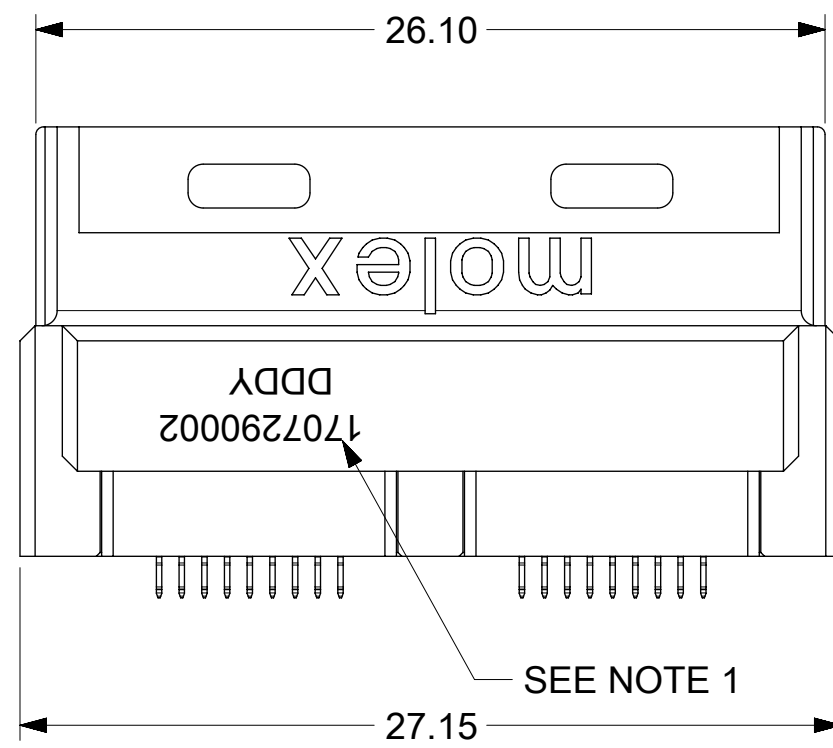
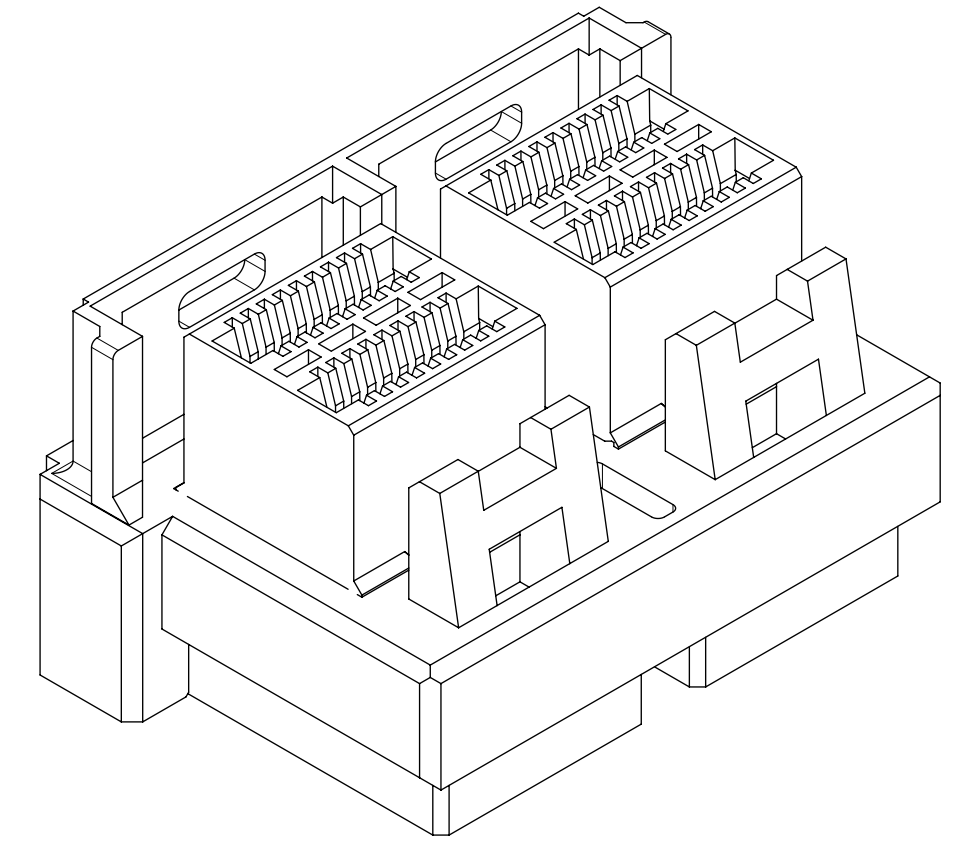
NOTES:
1. MANUFACTURED DATE CODE (JULIAN CALENDAR) & PART NUMBER.

THIS DRAWING CONTAINS INFORMATION THAT IS PROPRIETARY TO MOLEX ELECTRONIC TECHNOLOGIES, LLC AND SHOULD NOT BE USED WITHOUT WRITTEN PERMISSION												
MIGRATED EC NO: 108895 DRWN: ABN CHKD: REV / APPR: SMILLER	GENERAL TOLERANCES (UNLESS SPECIFIED)						DIMENSION UNITS	SCALE				
	ANGULAR TOL ± 2.0 °						MM	4:1				
	4 PLACES ±		DRWN BY				DATE		IPASS VERTICAL ZHD INTERNAL ASSEMBLY 1X1, 1X2, 1X4			
	3 PLACES ±		KLANG		2015/01/05							
	2 PLACES ± 0.13		CHKD BY		DATE		PRODUCT CUSTOMER DRAWING					
	1 PLACE ± 0.25		TMCCLELL		2016/09/14							
0 PLACES ±		APPR BY		DATE		SERIES	MATERIAL NUMBER	CUSTOMER				
DRAFT WHERE APPLICABLE MUST REMAIN WITHIN DIMENSIONS		MBANAKIS		2015/01/07		170729	SEE CHART	GENERAL MARKET				
A	C	DRAWING SIZE		THIRD ANGLE PROJECTION		DOCUMENT NUMBER		DOC TYPE	DOC PART	SHEET NUMBER		
		C				SD-170729-0001		PSD	000	2 OF 8		

1X2 ASSEMBLY



SECTION B-B

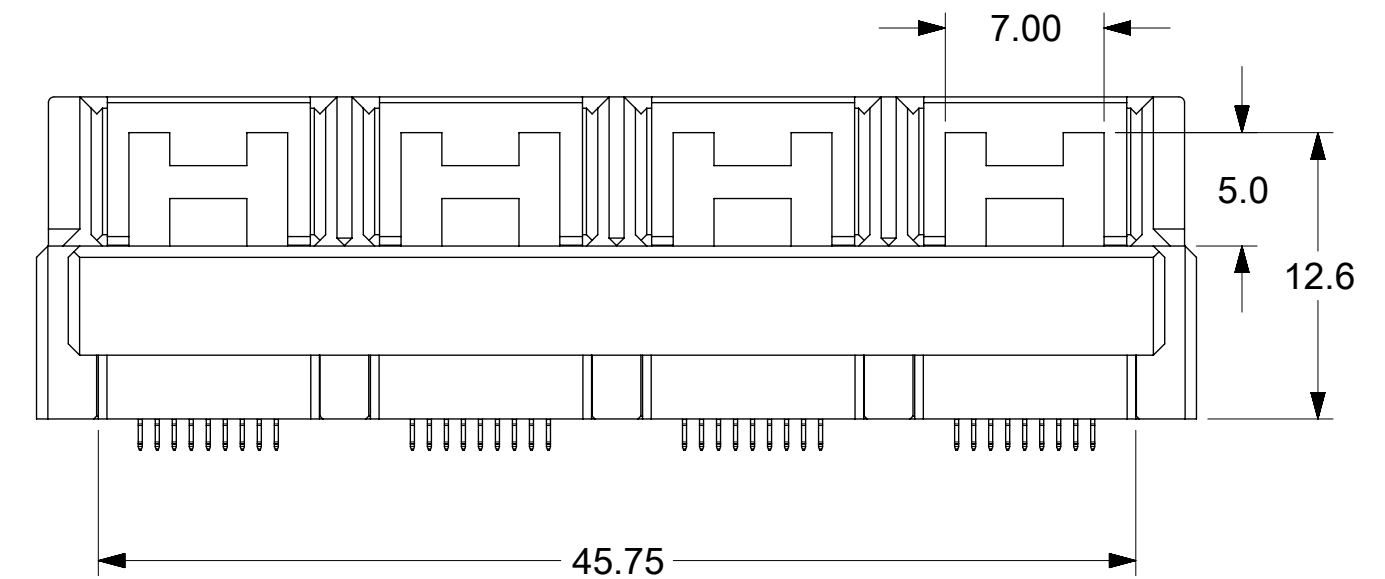
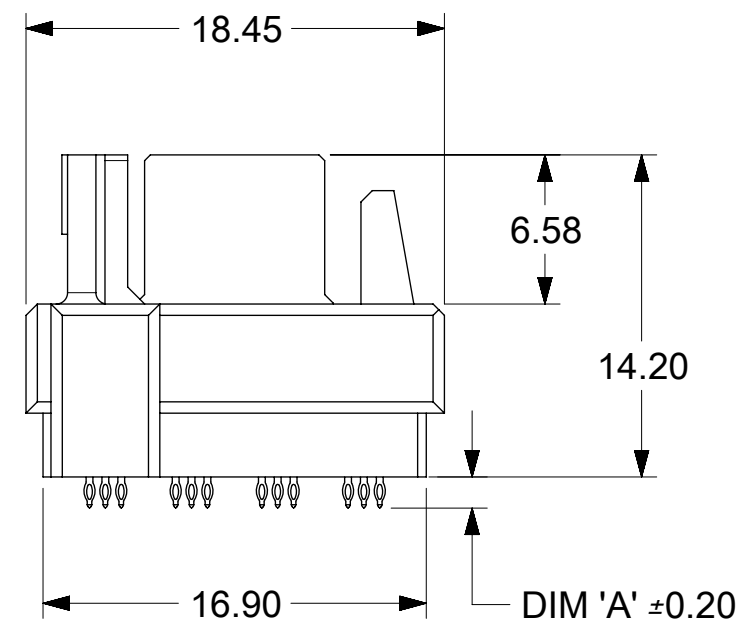
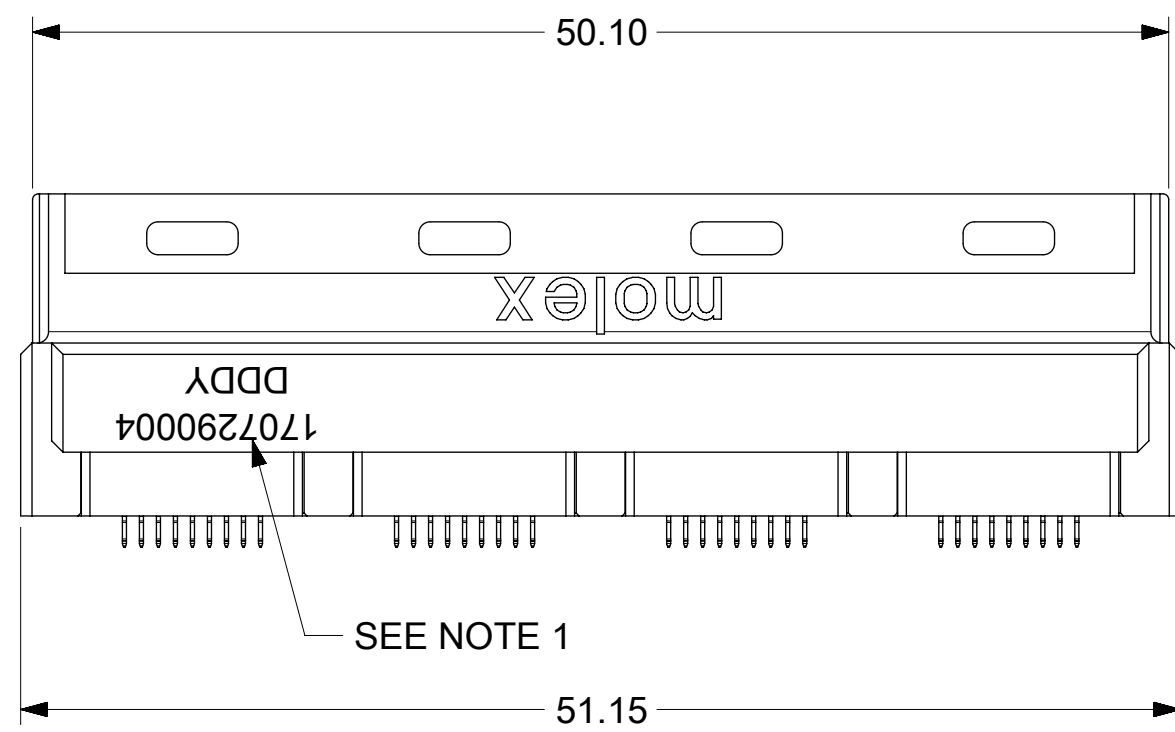
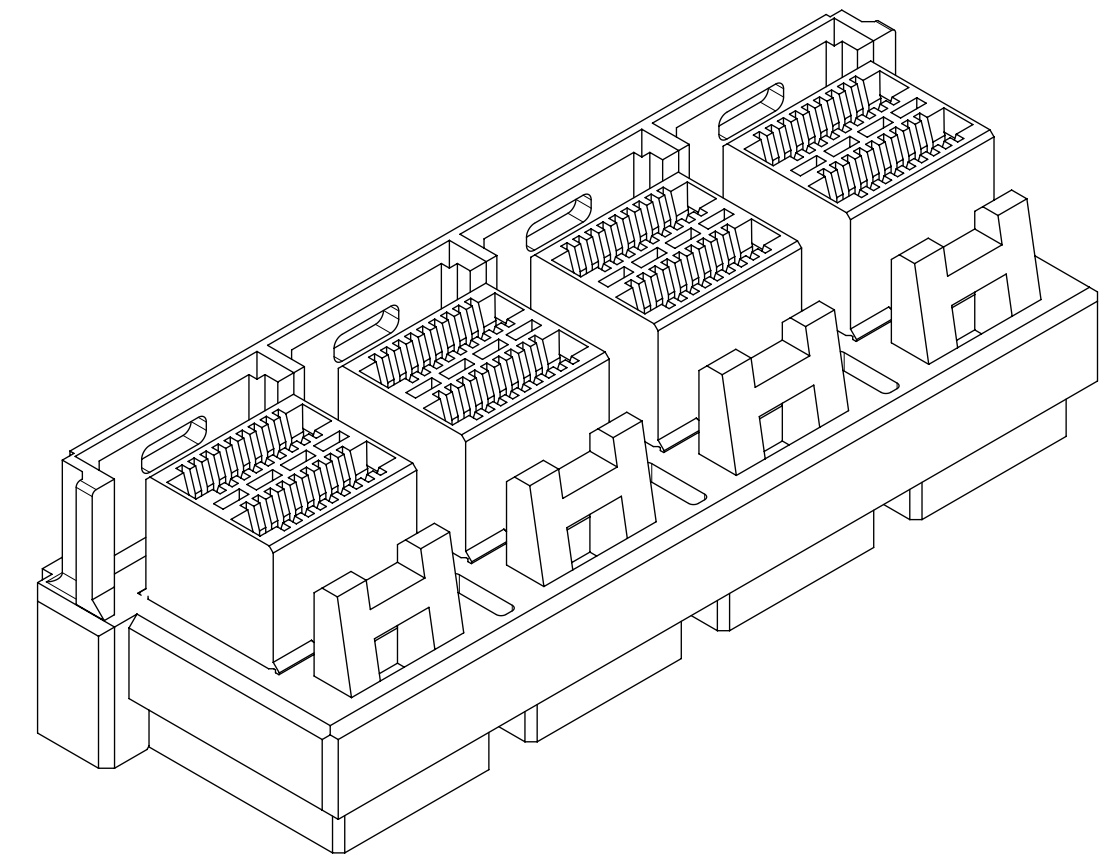
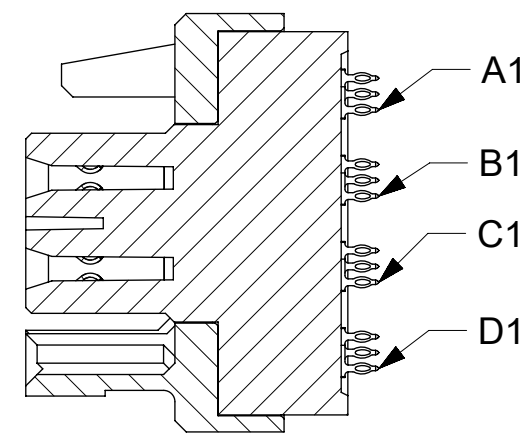
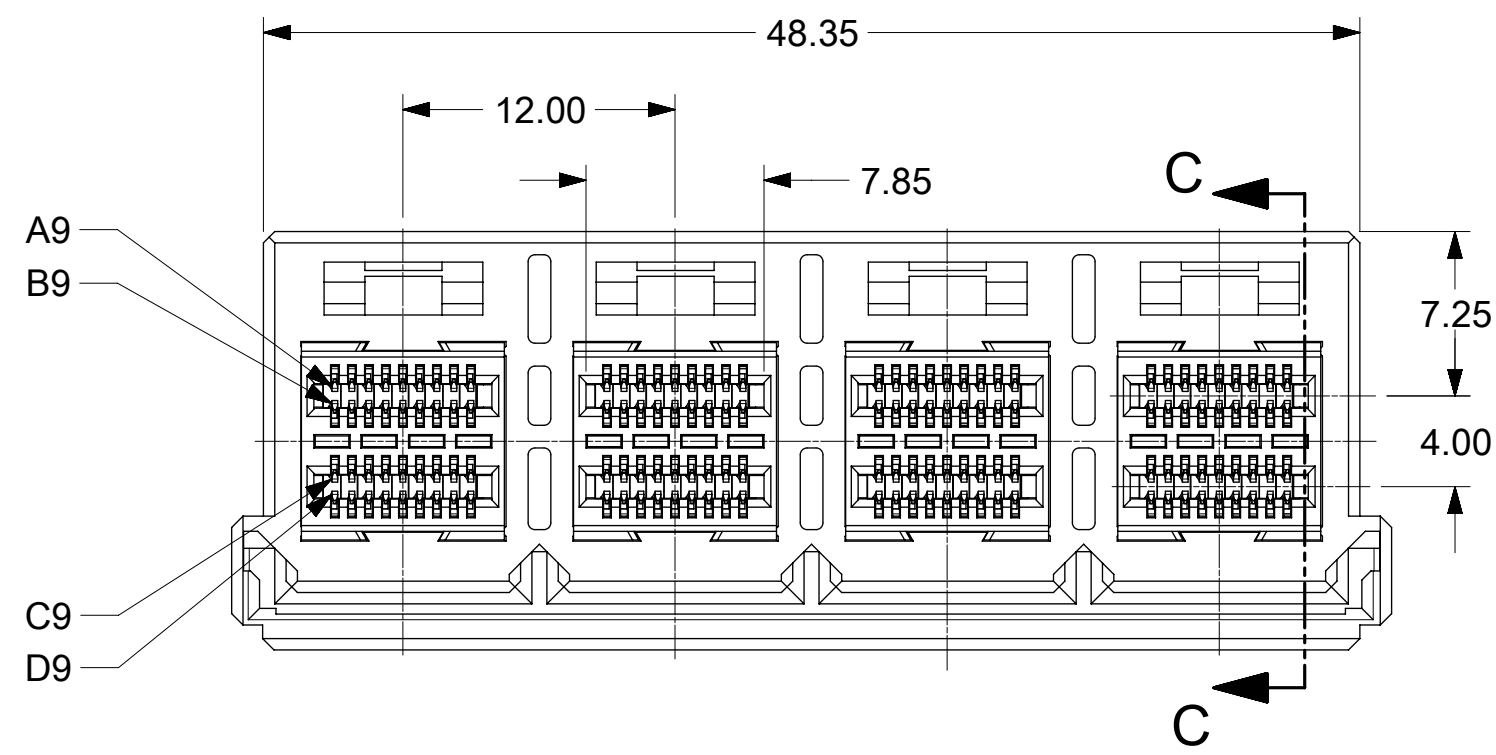


NOTES:
1. MANUFACTURED DATE CODE (JULIAN CALENDAR) & PART NUMBER.

THIS DRAWING CONTAINS INFORMATION THAT IS PROPRIETARY TO MOLEX ELECTRONIC TECHNOLOGIES, LLC AND SHOULD NOT BE USED WITHOUT WRITTEN PERMISSION												
MIGRATED EC NO: 108695 DRWN: ABN CHKD: REV / APPR: SMILLER	2016/07/16		2016/09/23		GENERAL TOLERANCES (UNLESS SPECIFIED)		DIMENSION UNITS		SCALE			
	4 PLACES ±		3 PLACES ±		ANGULAR TOL ± 2.0 °		MM		4:1			
	3 PLACES ±		2 PLACES ± 0.13		DRWN BY		KLANG		DATE			IPASS VERTICAL ZHD INTERNAL ASSEMBLY 1X1, 1X2, 1X4
	2 PLACES ± 0.25		1 PLACE ±		CHKD BY		TMCCLELL		DATE			
	0 PLACES ±		DRAFT WHERE APPLICABLE MUST REMAIN WITHIN DIMENSIONS		APPR BY		MBANAKIS		DATE			PRODUCT CUSTOMER DRAWING SERIES MATERIAL NUMBER CUSTOMER 170729 SEE CHART GENERAL MARKET
	A		C		DRAWING SIZE		THIRD ANGLE PROJECTION		DOC NUMBER SD-170729-0001			

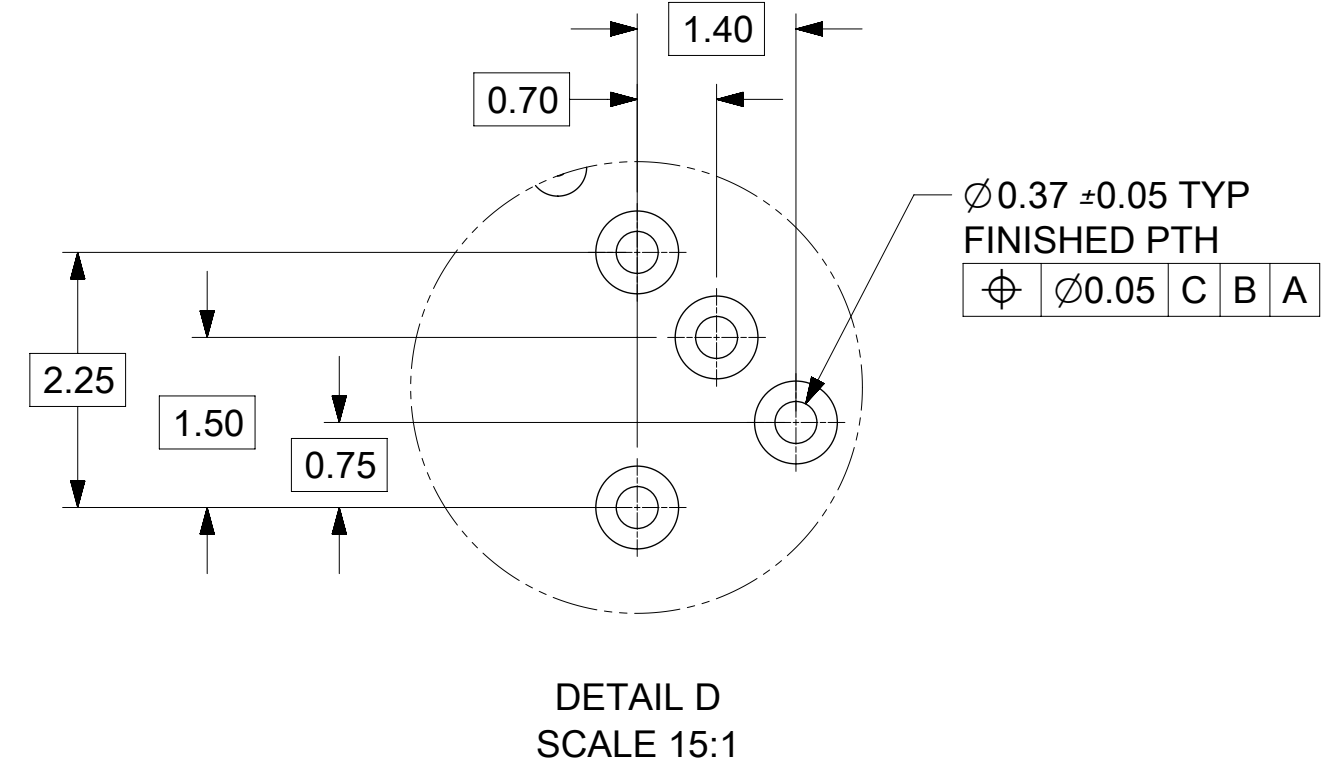
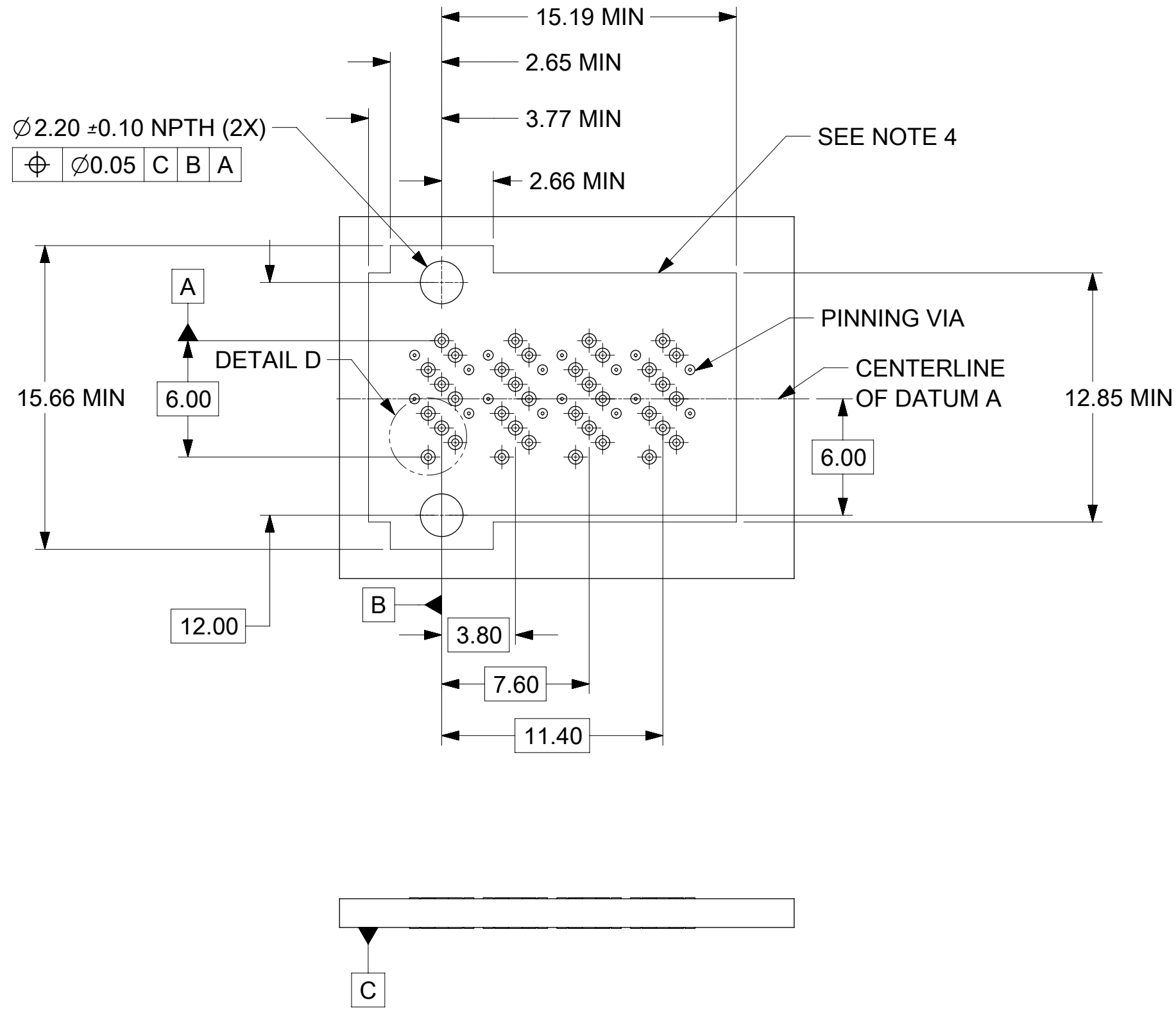
RELEASE STATUS	RELEASE DATE
12	11

1X4 ASSEMBLY



NOTES:
1. MANUFACTURED DATE CODE (JULIAN CALENDAR) & PART NUMBER.

THIS DRAWING CONTAINS INFORMATION THAT IS PROPRIETARY TO MOLEX ELECTRONIC TECHNOLOGIES, LLC AND SHOULD NOT BE USED WITHOUT WRITTEN PERMISSION											
MIGRATED EC NO: 108895 DRWN: ABN CHKD: REV / APPR: SMILLER	GENERAL TOLERANCES (UNLESS SPECIFIED)				DIMENSION UNITS	SCALE					
	ANGULAR TOL ± 2.0 °				MM	3:1					
	4 PLACES ±	DRWN BY			DATE		IPASS VERTICAL ZHD INTERNAL ASSEMBLY 1X1, 1X2, 1X4				
	3 PLACES ±	KLANG			2015/01/05						
	2 PLACES ± 0.13	CHK'D BY			DATE		PRODUCT CUSTOMER DRAWING				
	1 PLACE ± 0.25	TMCCLELL			2016/09/14						
0 PLACES ±	APPR BY			DATE		SERIES MATERIAL NUMBER CUSTOMER 170729 SEE CHART GENERAL MARKET					
DRAFT WHERE APPLICABLE MUST REMAIN WITHIN DIMENSIONS				MBANAKIS							2015/01/07
A	C	DRAWING SIZE		THIRD ANGLE PROJECTION		DOCUMENT NUMBER		DOC TYPE	DOC PART	SHEET NUMBER	
		C				SD-170729-0001		PSD	000	4 OF 8	

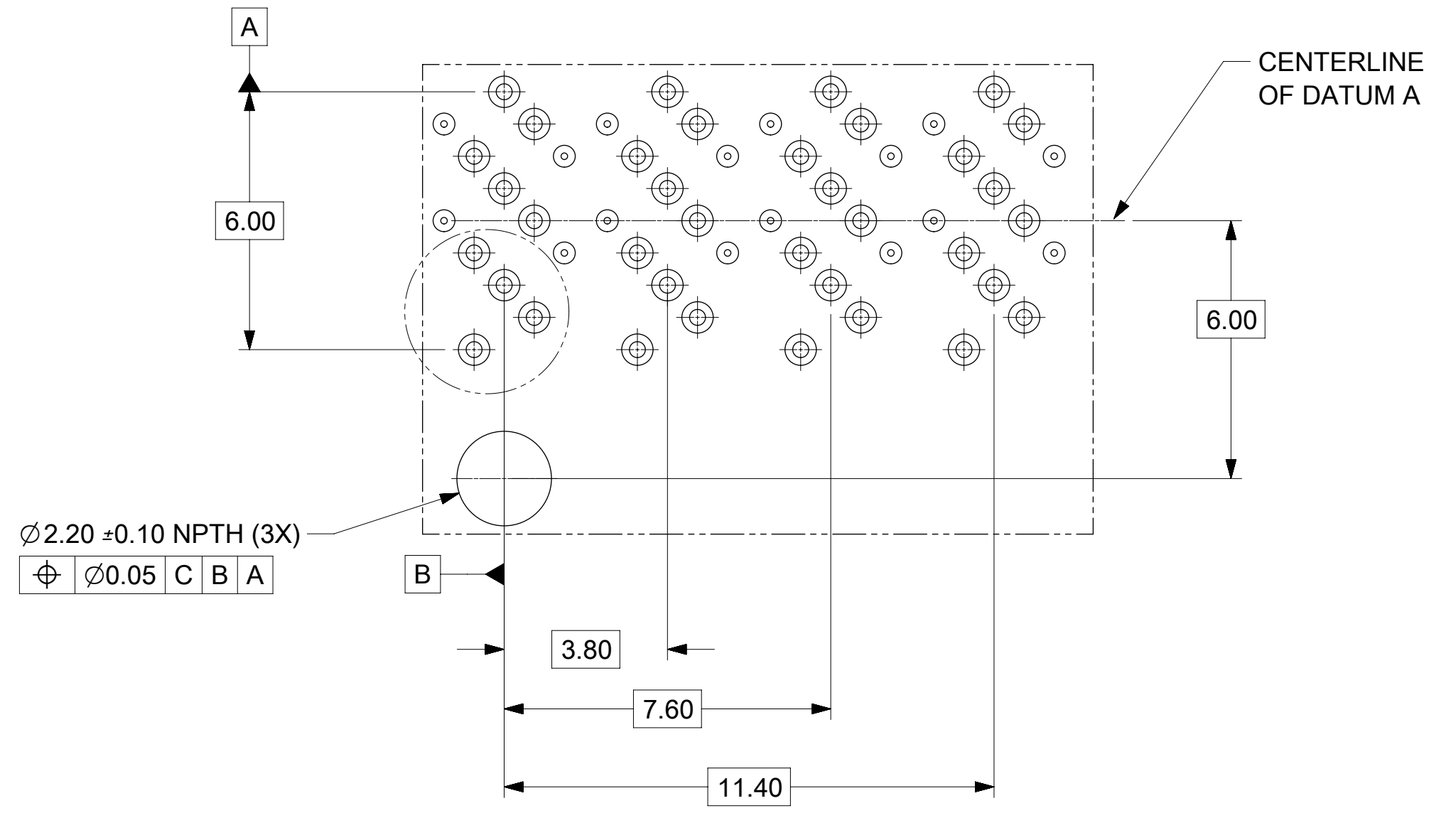
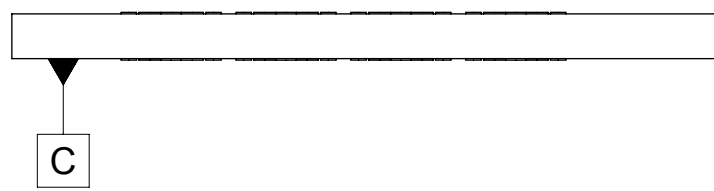
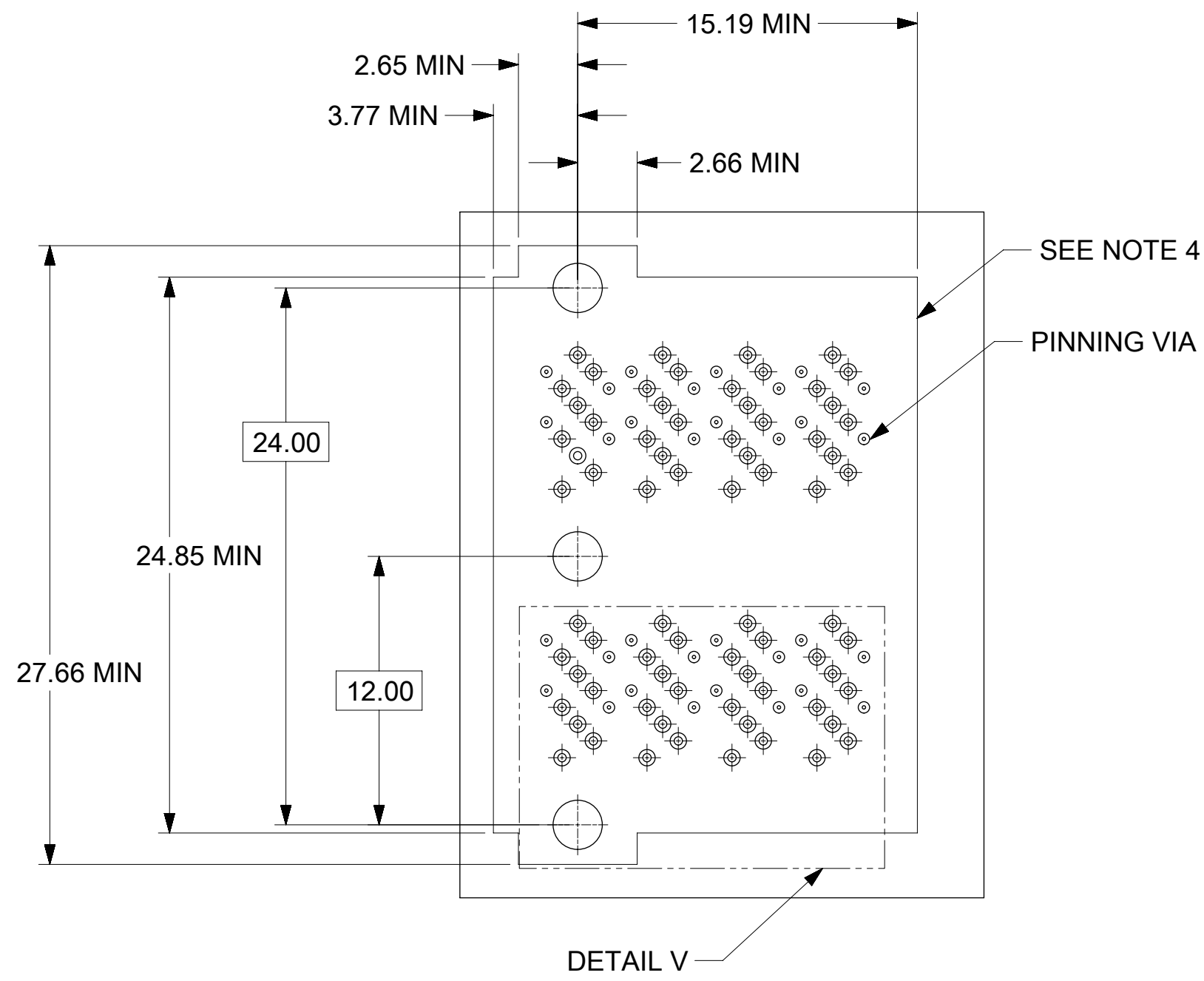


1X1 RECOMMENDED FOOTPRINT

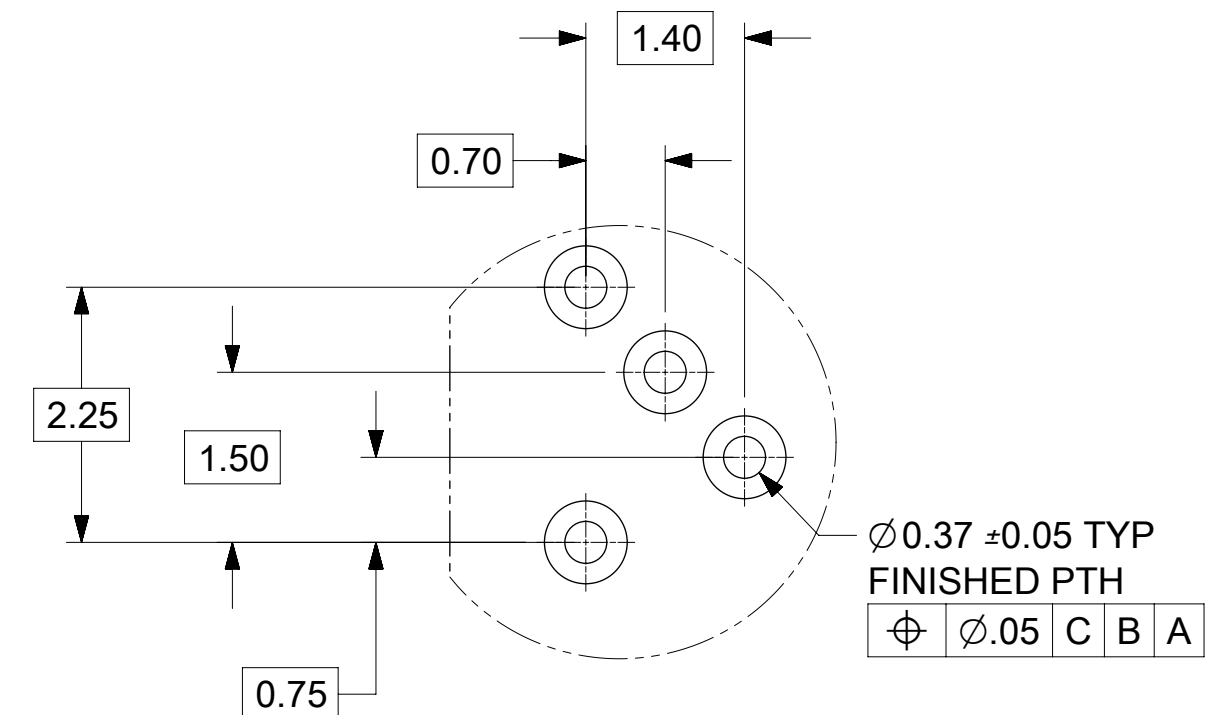
NOTES:

1. RECOMMENDED DRILL SIZE FOR A 0.37Ø FINISHED PTH REFER TO APPLICATION SPECIFICATION AS-170729-0001
2. MINIMUM RECOMMENDED SPACING IS 16.00MM
3. MINIMUM RECOMMENDED PCB THICKNESS: 1.57MM
4. CONNECTOR KEEP OUT AREA

THIS DRAWING CONTAINS INFORMATION THAT IS PROPRIETARY TO MOLEX ELECTRONIC TECHNOLOGIES, LLC AND SHOULD NOT BE USED WITHOUT WRITTEN PERMISSION											
MIGRATED EC NO: 108695 DRWN: ABN CHKD: REV / APPR: SMILLER	2016/07/16		2016/09/23		GENERAL TOLERANCES (UNLESS SPECIFIED)		DIMENSION UNITS	SCALE			
					ANGULAR TOL ± 2.0 °		MM	4:1			
	4 PLACES ±		KLANG		DATE		2015/01/05		IPASS VERTICAL ZHD INTERNAL ASSEMBLY 1X1, 1X2, 1X4 PRODUCT CUSTOMER DRAWING		
	3 PLACES ±		CHKD BY		DATE		2016/09/14				
	2 PLACES ± 0.13		APPR BY		DATE		2015/01/07				
	1 PLACE ± 0.25		DRAWING SIZE		THIRD ANGLE PROJECTION		C				
0 PLACES ±		DRAFT WHERE APPLICABLE MUST REMAIN WITHIN DIMENSIONS		SERIES		MATERIAL NUMBER		CUSTOMER			
A		C		170729		SEE CHART		GENERAL MARKET			
RELEASE STATUS		RELEASE DATE		DOCUMENT NUMBER		DOC TYPE		DOC PART		SHEET NUMBER	
				SD-170729-0001		PSD		000		5 OF 8	



DETAIL E
SCALE 8:1



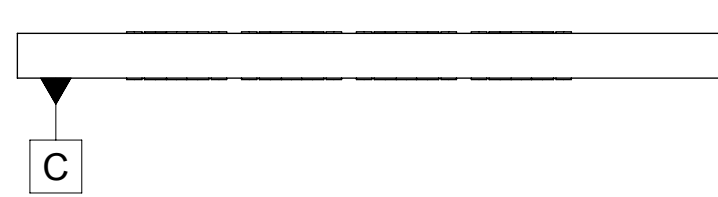
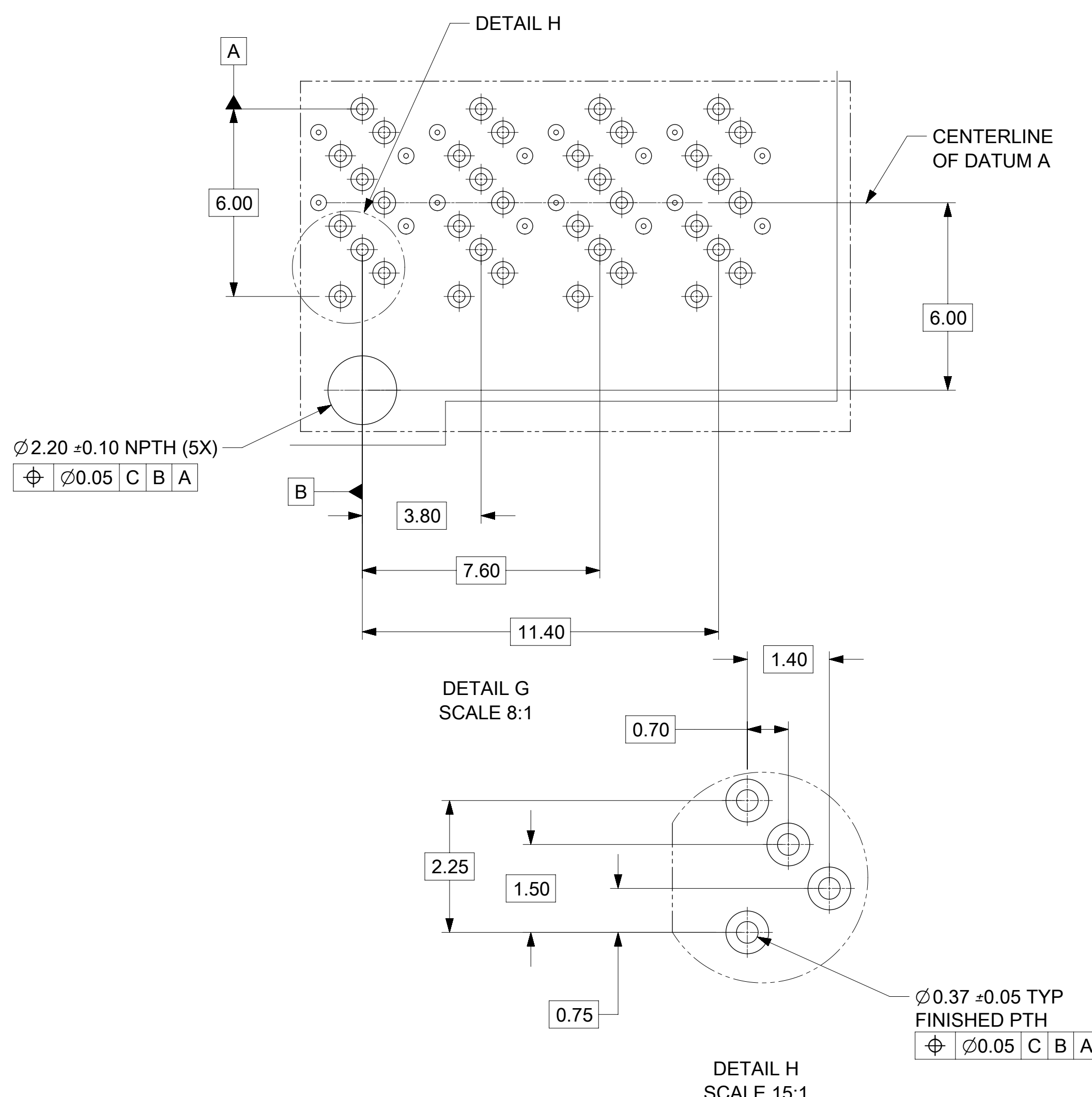
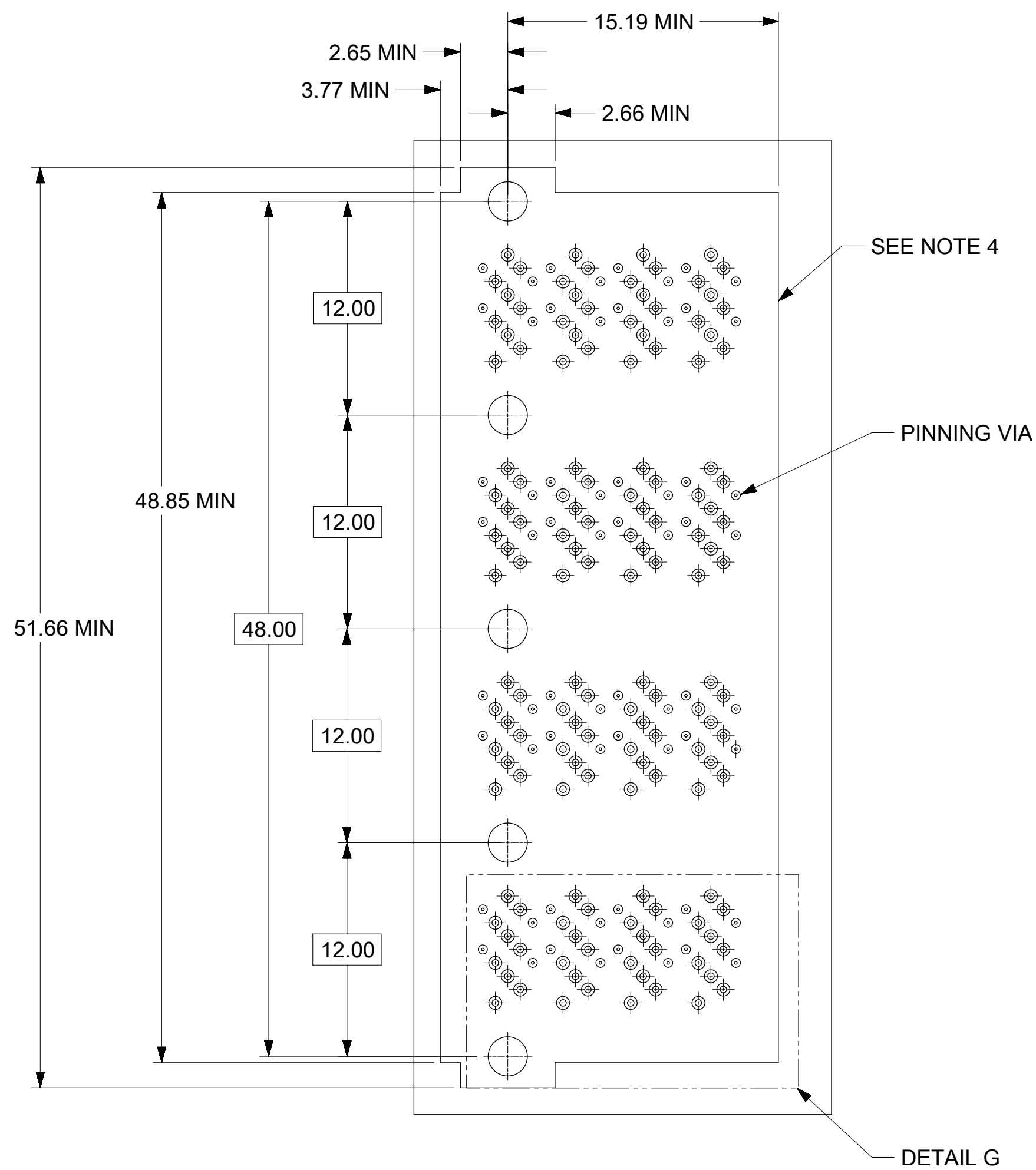
DETAIL F
SCALE 15:1

1X2 RECOMMENDED FOOTPRINT

NOTES:

1. RECOMMENDED DRILL SIZE FOR A 0.37Ø FINISHED PTH REFER TO APPLICATION SPECIFICATION AS-170729-0001
2. MINIMUM RECOMMENDED SPACING IS 28.00MM
3. MINIMUM RECOMMENDED PCB THICKNESS: 1.57MM
4. CONNECTOR KEEP OUT AREA

THIS DRAWING CONTAINS INFORMATION THAT IS PROPRIETARY TO MOLEX ELECTRONIC TECHNOLOGIES, LLC AND SHOULD NOT BE USED WITHOUT WRITTEN PERMISSION														
MIGRATED EC NO: 108695 DRWN: ABN CHKD: REV / APPR: SMILLER	GENERAL TOLERANCES (UNLESS SPECIFIED)						DIMENSION UNITS	SCALE						
	ANGULAR TOL ± 2.0 °						MM	4:1						
	4 PLACES ±		3 PLACES ±		2 PLACES ± 0.13		DRWN BY	DATE	IPASS VERTICAL ZHD INTERNAL ASSEMBLY 1X1, 1X2, 1X4					
	1 PLACE ± 0.25		0 PLACES ±		DRAFT WHERE APPLICABLE MUST REMAIN WITHIN DIMENSIONS		KLANG	2015/01/05						
	A		C		THIRD ANGLE PROJECTION		CHKD BY	DATE	PRODUCT CUSTOMER DRAWING					
						MBANAKIS	2015/01/07	SERIES	MATERIAL NUMBER	CUSTOMER				
						DRAWING SIZE		170729		SEE CHART		GENERAL MARKET		
								DOCUMENT NUMBER		SD-170729-0001		DOC TYPE	DOC PART	SHEET NUMBER
										PSD		000	6 OF 8	

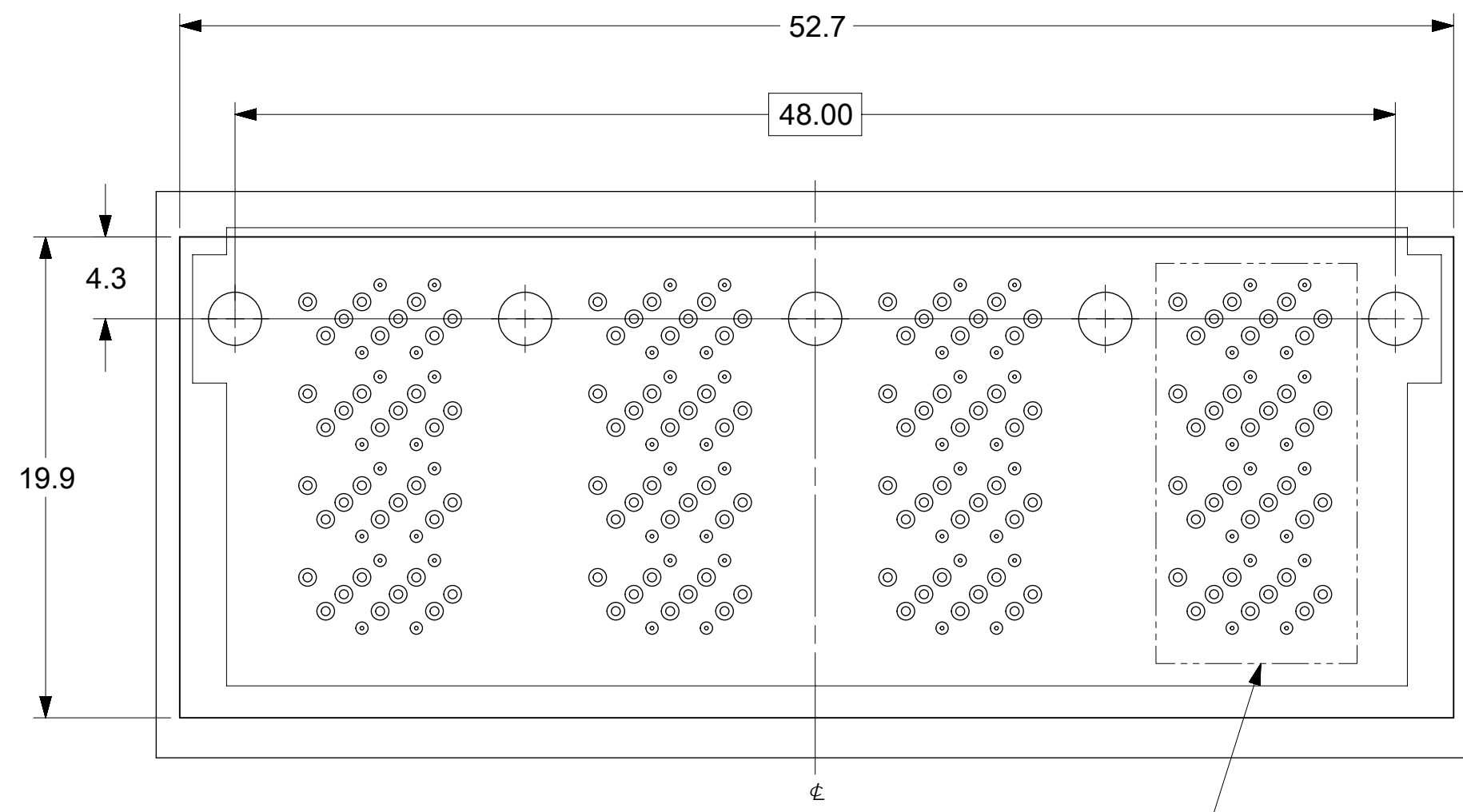
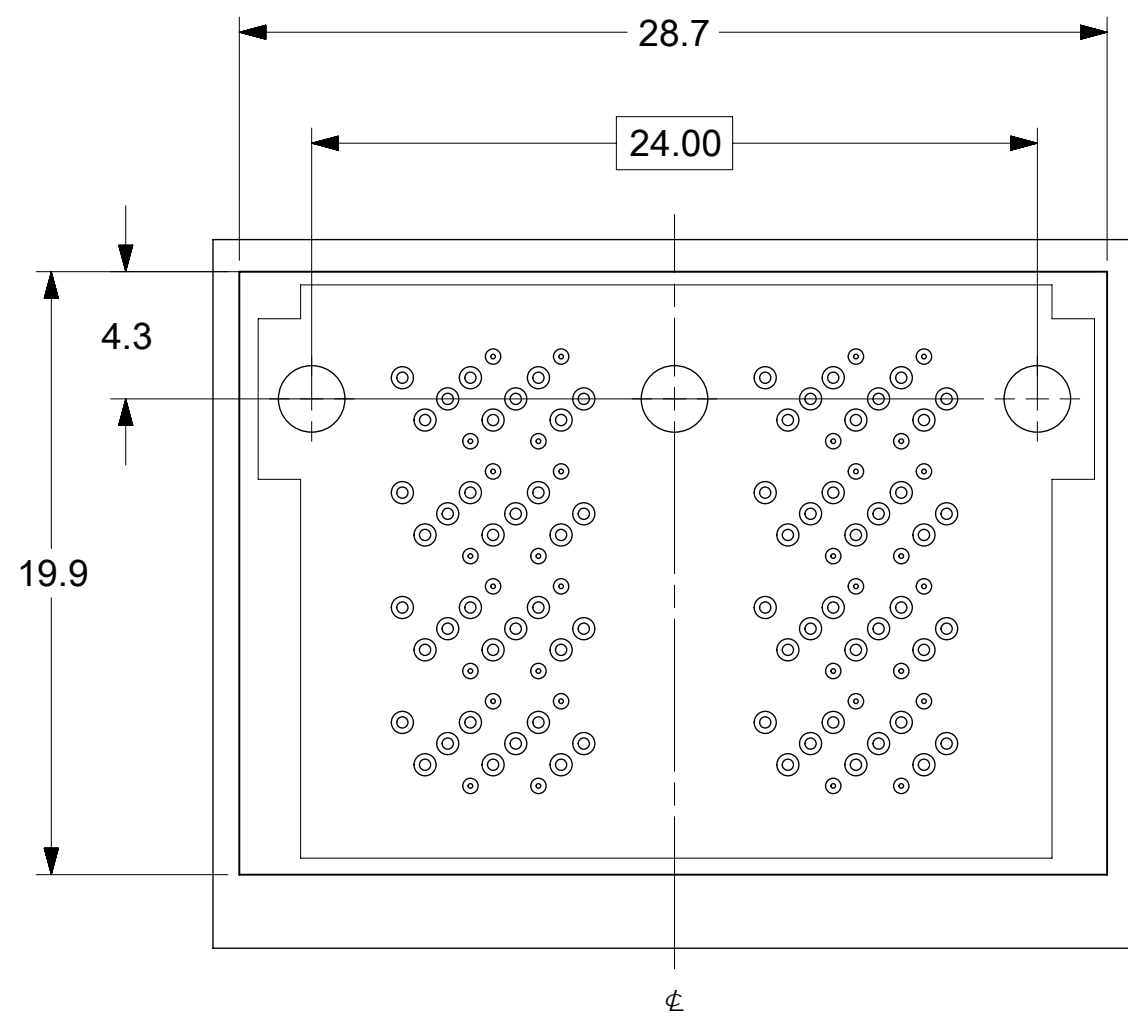
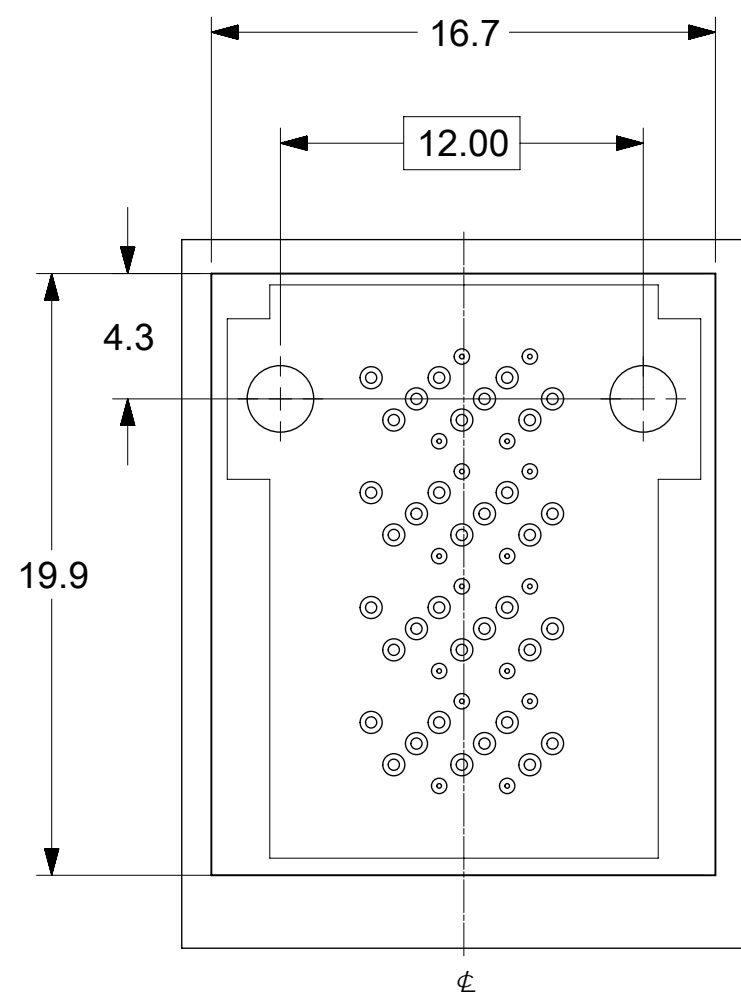


- NOTES:
1. RECOMMENDED DRILL SIZE FOR A 0.37 ϕ FINISHED PTH REFER TO APPLICATION SPECIFICATION AS-170729-0001
 2. MINIMUM RECOMMENDED SPACING IS 52.00MM
 3. MINIMUM RECOMMENDED PCB THICKNESS: 1.57MM
 4. CONNECTOR KEEP OUT AREA

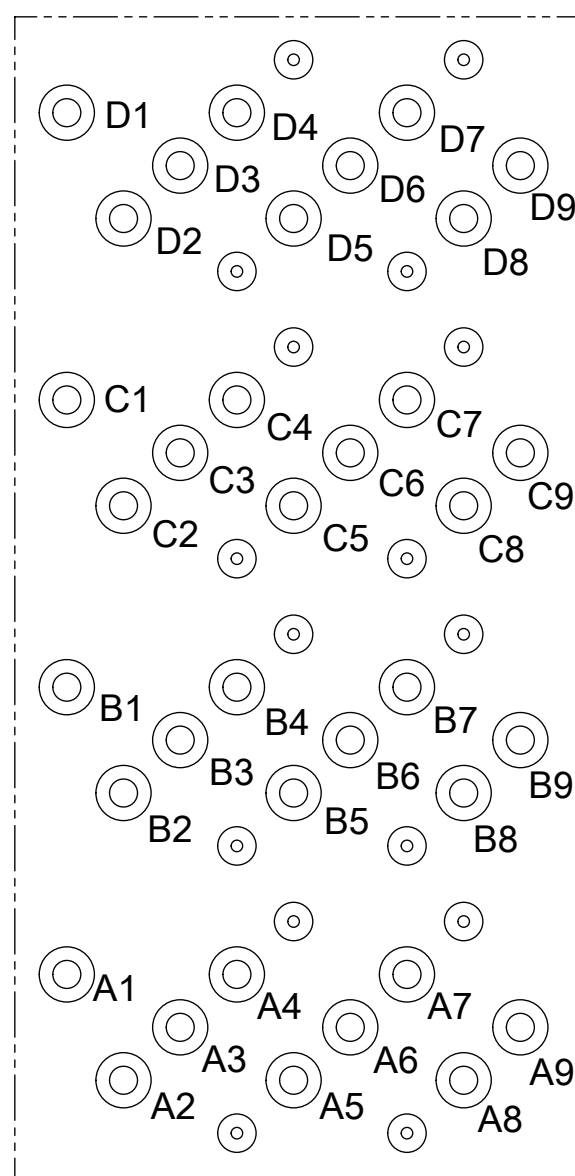
1X4 RECOMMENDED FOOTPRINT

THIS DRAWING CONTAINS INFORMATION THAT IS PROPRIETARY TO MOLEX ELECTRONIC TECHNOLOGIES, LLC AND SHOULD NOT BE USED WITHOUT WRITTEN PERMISSION											
MIGRATED EC NO: 108895 DRWN: ABN CHKD: REV / APPR: SMILLER	GENERAL TOLERANCES (UNLESS SPECIFIED)				DIMENSION UNITS	SCALE					
	ANGULAR TOL $\pm 2.0^\circ$				MM	4:1					
	4 PLACES	\pm			DRWN BY	DATE	IPASS VERTICAL ZHD INTERNAL ASSEMBLY 1X1, 1X2, 1X4				
	3 PLACES	\pm			KLANG	2015/01/05					
	2 PLACES	± 0.13			CHKD BY	DATE	PRODUCT CUSTOMER DRAWING				
	1 PLACE	± 0.25			TMCCLELL	2016/09/14					
0 PLACES	\pm			APPR BY	DATE	SERIES: 170729 MATERIAL NUMBER: SEE CHART CUSTOMER: GENERAL MARKET					
DRAFT WHERE APPLICABLE MUST REMAIN WITHIN DIMENSIONS				MBANAKIS	2015/01/07						
				DRAWING SIZE	THIRD ANGLE PROJECTION	DOCUMENT NUMBER			DOC TYPE	DOC PART	SHEET NUMBER
				C		SD-170729-0001			PSD	000	7 OF 8

RELEASE STATUS	RELEASE DATE
12	11



RECOMMENDED KEEP OUT AREA FOR WAFER TERMINAL EXTRACTION TOOLING (REFER TO AS-170729-0001)



DETAIL K
CIRCUIT IDENTIFICATION
(TYP EACH PORT)

THIS DRAWING CONTAINS INFORMATION THAT IS PROPRIETARY TO MOLEX ELECTRONIC TECHNOLOGIES, LLC AND SHOULD NOT BE USED WITHOUT WRITTEN PERMISSION												
MIGRATED EC NO: 108895 DRWN: ABN CHKD: REV / APPR: SMILLER	GENERAL TOLERANCES (UNLESS SPECIFIED)		DIMENSION UNITS	SCALE								
	ANGULAR TOL ± 2.0 °		MM	4:1								
	4 PLACES ±	DRWN BY		DATE	IPASS VERTICAL ZHD INTERNAL ASSEMBLY 1X1, 1X2, 1X4							
	3 PLACES ±	KLANG		2015/01/05								
	2 PLACES ± 0.13	CHKD BY		DATE	PRODUCT CUSTOMER DRAWING							
	1 PLACE ± 0.25	TMCCLELL		2016/09/14								
0 PLACES ±	APPR BY		DATE	SERIES		MATERIAL NUMBER		CUSTOMER				
DRAFT WHERE APPLICABLE MUST REMAIN WITHIN DIMENSIONS		DRAWING SIZE		THIRD ANGLE PROJECTION		170729		SEE CHART		GENERAL MARKET		
A	C				DOCUMENT NUMBER		DOC TYPE		DOC PART		SHEET NUMBER	
		SD-170729-0001		PSD		000				8 OF 8		