

© 1969 BY AMP INCORPORATED. ALL RIGHTS RESERVED. AMP PRODUCTS COVERED BY PATENTS AND/OR PATENTS PENDING.

REVISIONS				
ZONE	LTR	DESCRIPTION	DATE	APPROVED
	V	REV PER AD5659	6-12-91	RB UM
	W	REACTIVATE 1-5 PER 81-5MB-002	8-1-91	RB UM
	Y	REACTIVATE 2-9 PER 91-5148-004	2-22-93	RB UM
	Z	REV. 0010-0252-93	3-8-93	RB UM
	AA	REV. PER 0010-0577-93	6-21-93	RB UM
	AB	REV PER 0010-1602-95	1-96	PB HWR
	AC	REV PER 0010-1604-95	1-97	PB
	AD	REV PER EC 0320-209-97	7-7-97	N5
	AD1	REVISED PER ECO-09-026444	27NOV09	KK AEG

PART NO.	NO OF POS.	A	B	C	D
583486-1	50	.156	7.644	.156	7.956
-2	49		7.488		7.800
-3	48		7.332		7.644
-4	47		7.176		7.488
-5	46		7.020		7.332
-6	45		6.864		7.176
-7	44		6.708		7.020
-8	43		6.552		6.864
-9	42		6.396		6.708
1-583486-0	41		6.240		6.552
1-1	40		6.084		6.396
1-2	39		5.928		6.240
1-3	38		5.772		6.084
1-4	37		5.616		5.928
1-5	36		5.460		5.772
1-6	35		5.304		5.616
1-7	34		5.148		5.460
1-8	33		4.992		5.304
1-9	32		4.836		5.148
2-583486-0	31		4.680		4.992
2-1	30		4.524		4.836
2-2	29		4.368		4.680
2-3	28		4.212		4.524
2-4	27		4.056		4.368
2-5	26		3.900		4.212
2-6	25		3.744		4.056
2-7	24		3.588		3.900
2-8	23		3.432		3.744
2-9	22		3.276		3.588
3-583486-0	21		3.120		3.432
3-1	20		2.964		3.276
3-2	19		2.808		3.120
3-3	18		2.652		2.964
3-4	17		2.496		2.808
3-5	16		2.340		2.652
3-6	15		2.184		2.496
3-7	14		2.028		2.340
3-8	13		1.872		2.184
3-9	12		1.716		2.028
4-583486-0	11		1.560		1.872
4-1	10		1.404		1.716
4-2	9		1.248		1.560
4-3	8		1.092		1.404
4-4	7		.936		1.248
4-5	6		.780		1.092
4-6	5		.624		.936
4-7	4		.468		.780
4-583486-0	3	.156	.312	.156	.624
4-583486-7	53	.156	8.112	.156	8.424
5-583486-0	56	.156	8.580	.156	8.892

OBSOLETE 5

OBSOLETE 5

OBSOLETE 5

OBSOLETE 5

SUPERSEDED BY 1-5583486-8 5

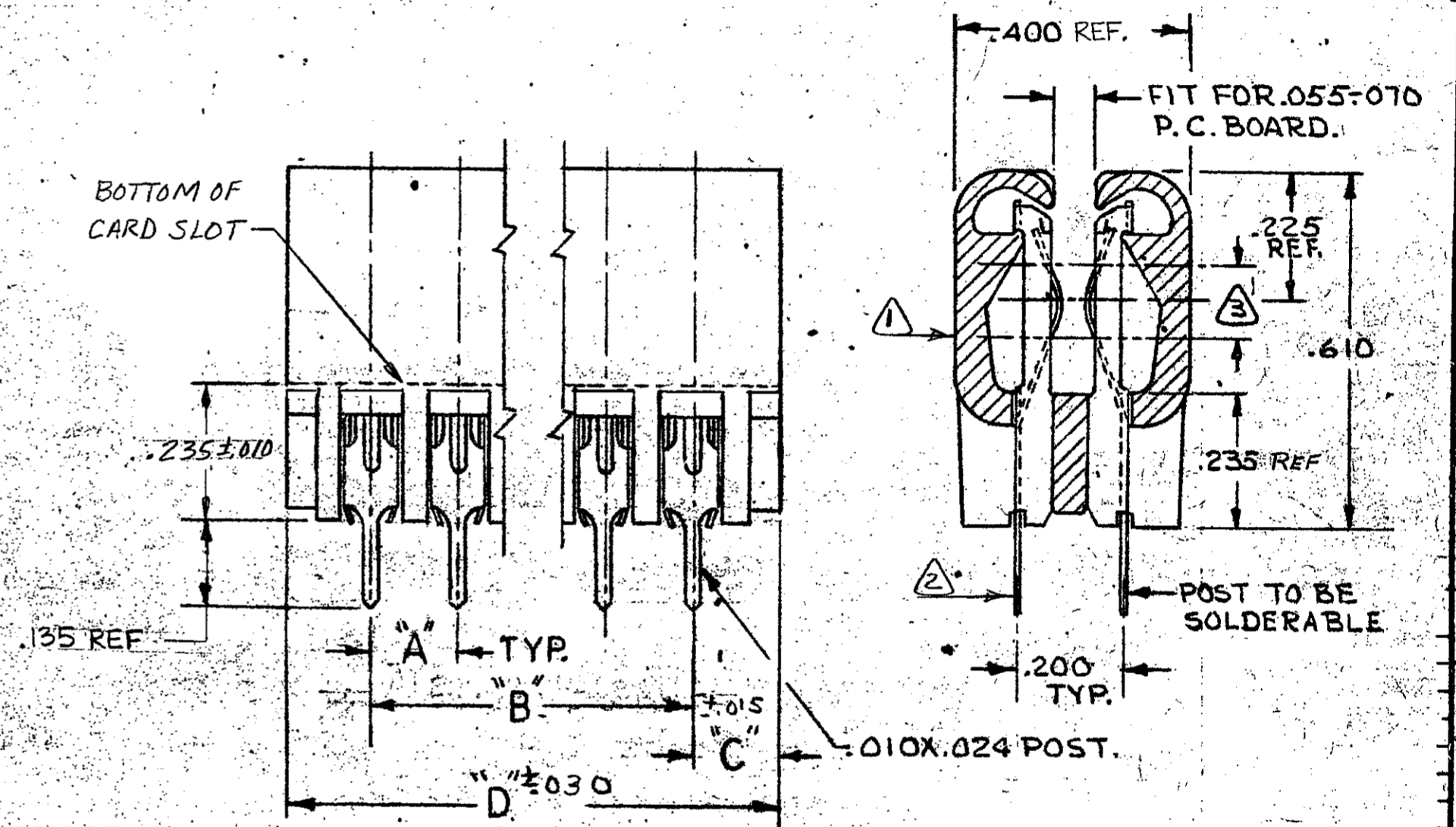
OBSOLETE 5

OBSOLETE

OBSOLETE 5

OBSOLETE 5

OBSOLETE 5

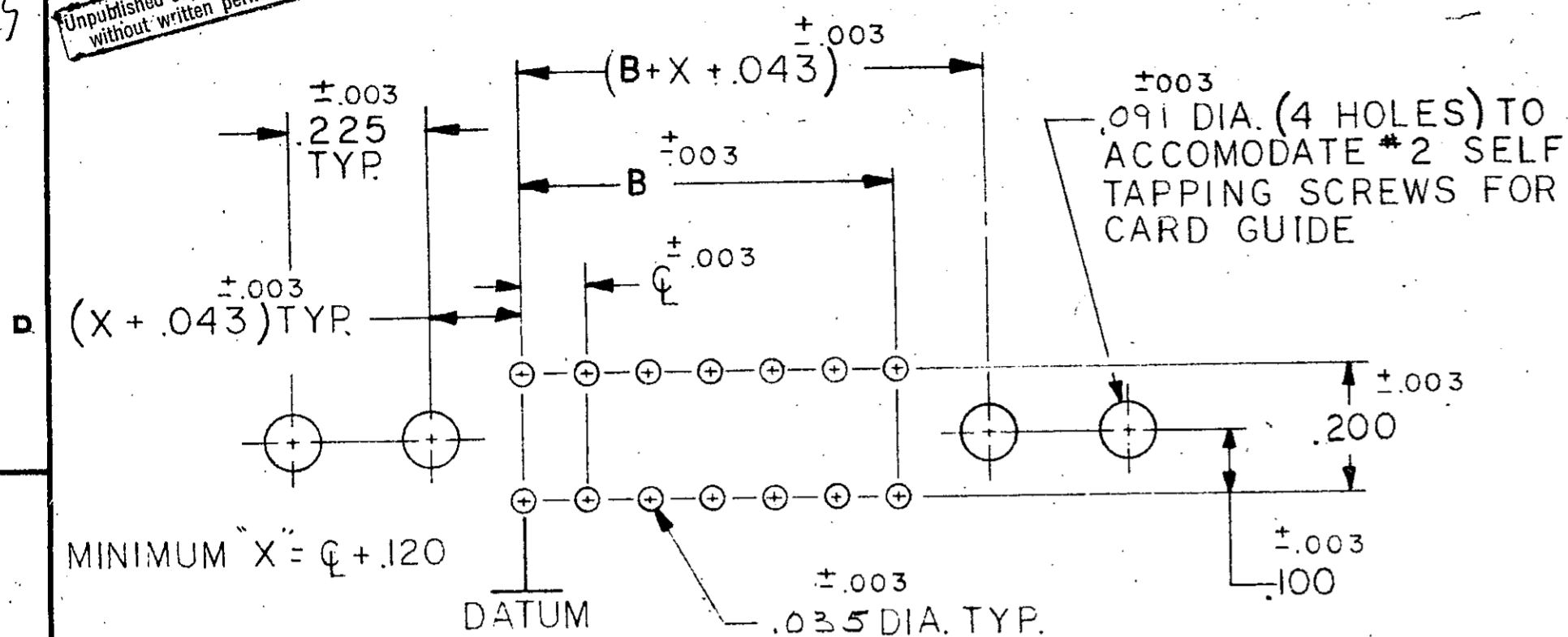


- 5 FINISH: .000015 GOLD. SELECTIVE.
- 4 SEE SHEET 2 FOR RECOMMENDED PRINTED CIRCUIT BOARD LAYOUT.
- 5 OBSOLETE PARTS: OBSOLETE CIS STREAMLINING PER D.RENAUD/D.SINIS

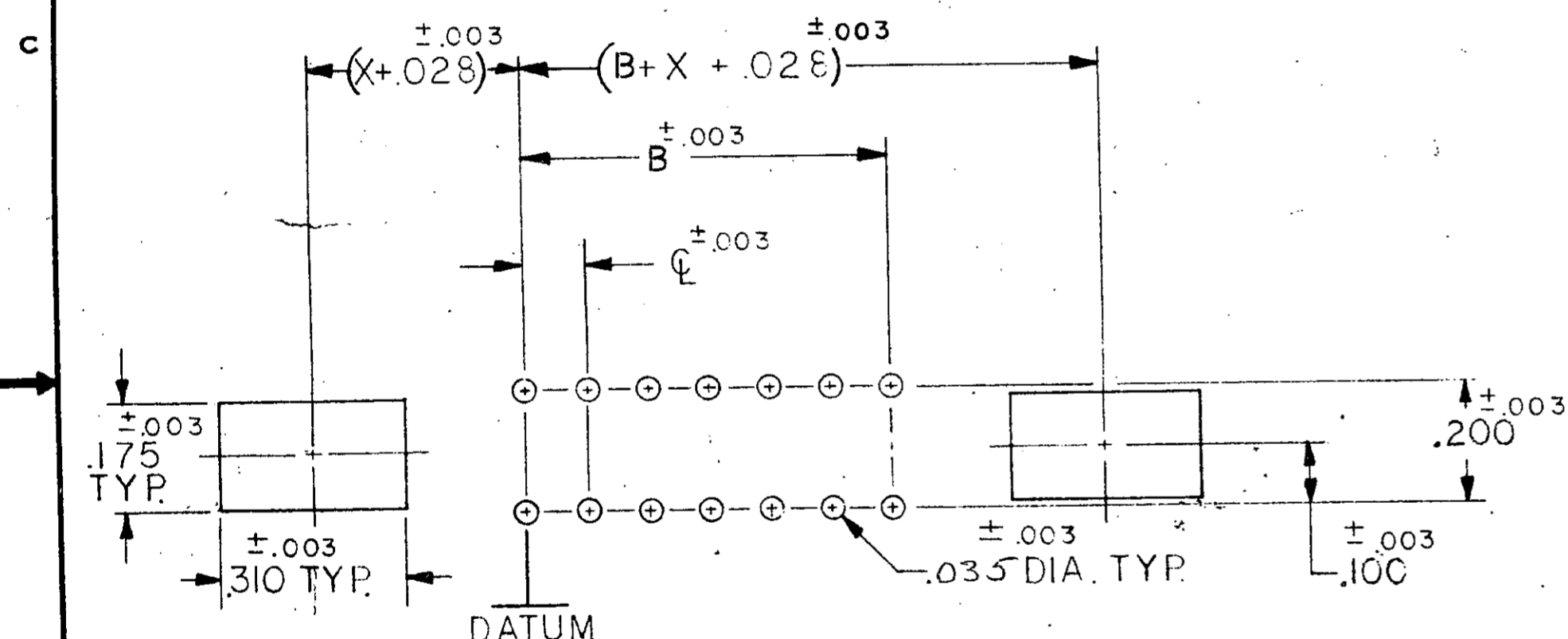
UNLESS OTHERWISE SPECIFIED, DIMENSIONS ARE IN INCHES TOLERANCES ON: DECIMALS ±.005 ANGLES ±.2	CONTRACT NO.	AMP INCORPORATED HARRISBURG, PENNSYLVANIA	
	DR <i>Runkle</i> 1-29-73	NAME HOUSING ASS'Y., TWIN LEAF, .156C, SOLDER TYPE POST,	
MATERIAL HOUSING: GLASS FILLED POLYESTER. COLOR: BLACK.	CHK <i>M. Zylar</i> 2-5-78	SIZE C	CODE IDENT NO. 00779
	APPD <i>Larry M Brown</i> 2-5-73	NUMBER 583486	SCALE X
CONTACT: PHOS. BRONZE	REL <i>R.D. Trump</i> 3/13/73	SHEET 1 OF 2 SHTS.	
OTHER APPD	CUSTOMER DRAWING		

Unpublished copy not to be reproduced without written permission of AMP Incorporated.

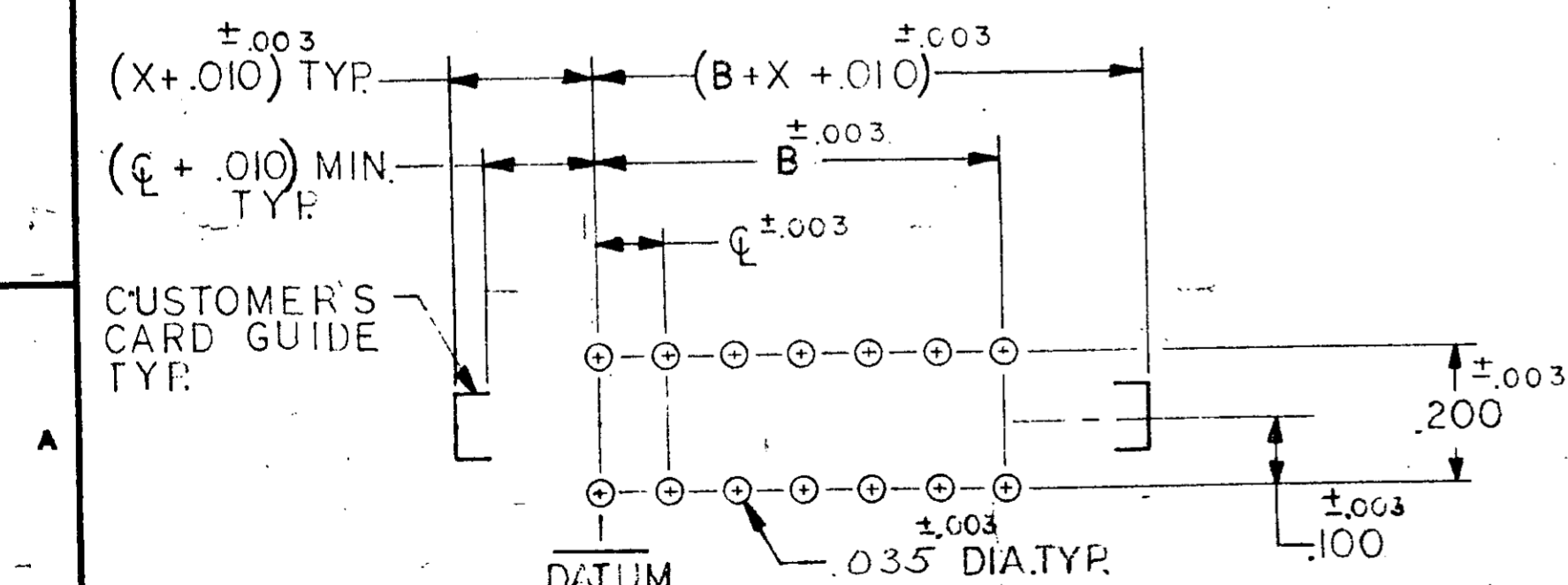
REVISIONS				
ZONE	LTR	DESCRIPTION	DATE	APPROVED
SEE SHEET 1				



BOARD LAYOUT FOR USE WITH AMP CARD GUIDE PART NO. 583671



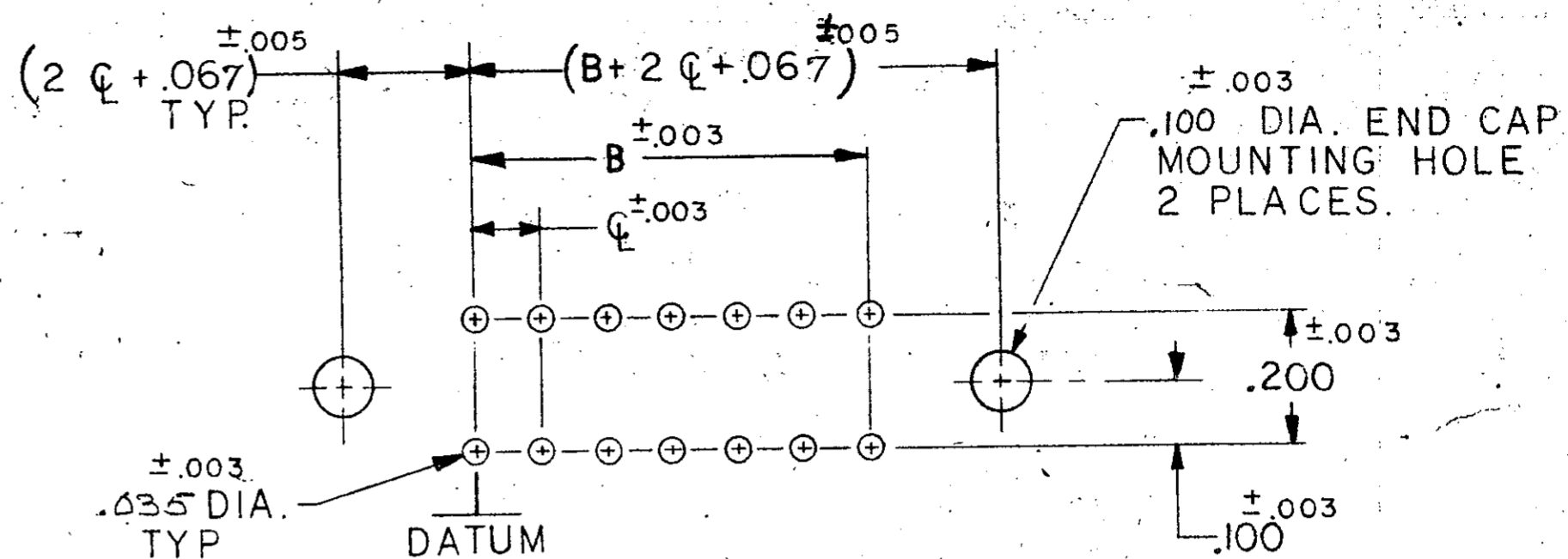
BOARD LAYOUT FOR USE WITH AMP CARD GUIDE PART NO. 583408 OR 583425



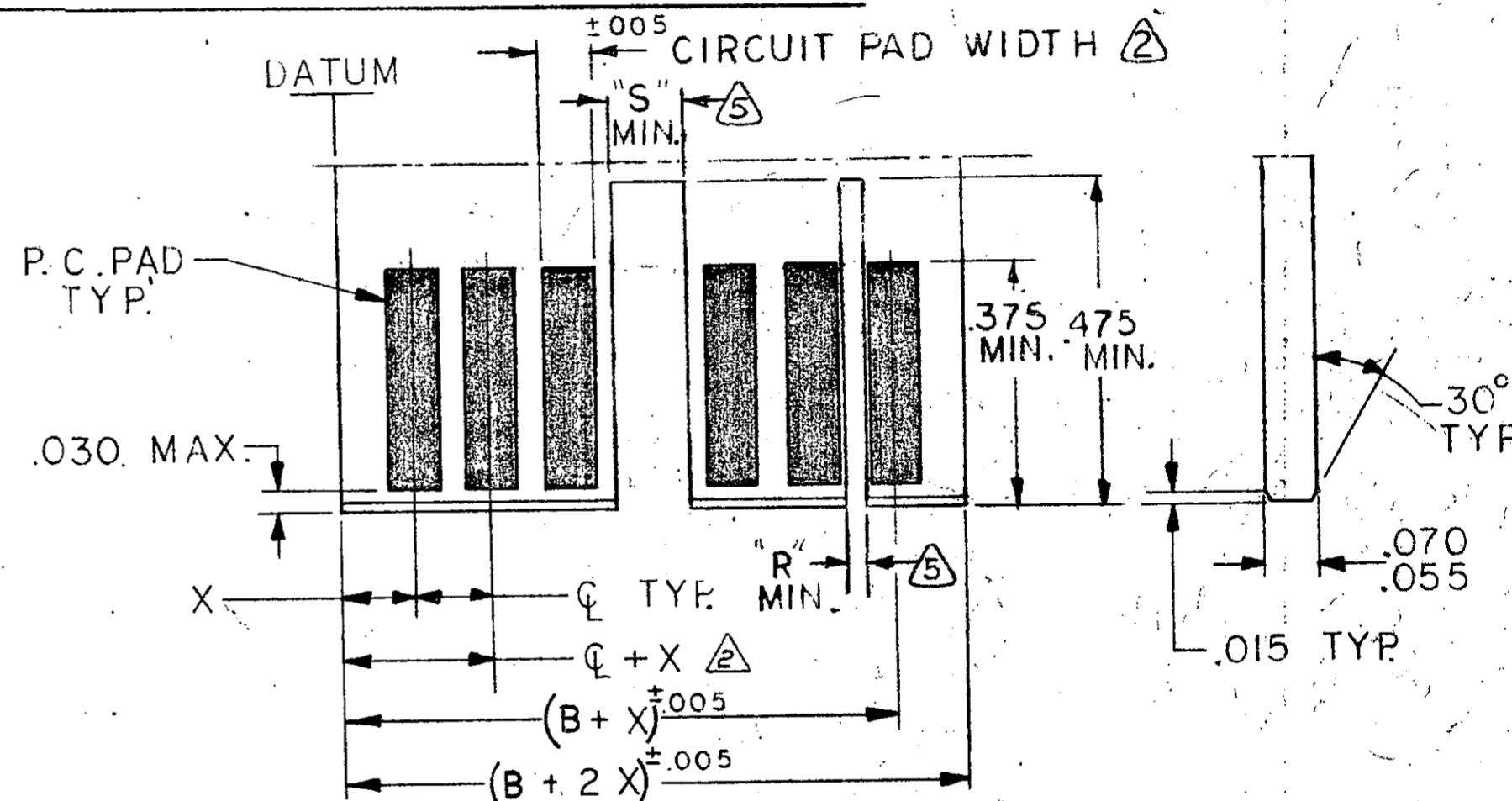
BOARD LAYOUT FOR USE WITH CUSTOMER SUPPLIED CARD GUIDE

THE SLOT FOR INTER-CONTACT KEYING PLUGS MUST BE CENTERED BETWEEN THE PRINTED CIRCUIT PADS, WHILE THE SLOT FOR ON-CONTACT KEYING PLUGS MUST BE CENTERED ON THE AREA OF A PRINTED CIRCUIT PAD.

INTER-CONTACT KEYING PLUG.	"R" FOR CENTER LINE SPACING	ON CONTACT KEYING PLUG.	"S" FOR CENTER LINE SPACING.
530030-1	.050 .125-.150-.156	583714-1	.129 .100-.125
530030-2	.040 .100	583714-2	.160 .150-.156



BOARD LAYOUT FOR USE WITH END CAP



DAUGHTER BOARD LAYOUT

- MAX. ALLOWABLE WARPAGE OF MOTHER BOARD NOT TO EXCEED .005/IN. MAX. ALLOWABLE BOW OF DAUGHTER BOARD NOT TO EXCEED .010/IN. THICKNESS OF MOTHER BOARD IS .062 FOR DOUBLE SLOTTED CARD GUIDES AND .104 MAX. FOR ALL OTHER MOUNTING CONDITIONS.
- EACH PAD LOCATION INCREASES BY $Q \pm .005$ WITH A NON-CUMULATIVE TOLERANCE OF $\pm .005$.
CIRCUIT PAD WIDTH - .045 FOR .100 Q
.072 FOR .125 Q
.072 FOR .150 Q
.080 FOR .156 Q
- DIMENSIONS APPLY TO BOTH SIDES OF DAUGHTER BOARD.
- INCREMENTS ON MOTHER BOARD HAVE $\pm .003$ NON-CUMULATIVE TOLERANCE.
- "X" IS A CUSTOMER CONTROLLED DIMENSION EXCEPT FOR END CAP ASSEMBLIES WHERE "X" = $Q - .008$

UNLESS OTHERWISE SPECIFIED, DIMENSIONS ARE IN INCHES. TOLERANCES ON DECIMALS ± ANGLES ±	CONTRACT NO.	AMP INCORPORATED HARRISBURG, PENNSYLVANIA NAME HOUSING ASSEMBLY TWIN LEAF CONNECTOR .156 CENTERS.			
	DR			DATE	
	CHK			DATE	
	APPD			DATE	
MATERIAL	REL	DATE	SIZE	CODE IDENT NO.	NUMBER
			C	00779	583486
	OTHER APPD		SCALE	SHEET 2 OF 2 SHTS.	