

Model No: TC2X4FB00-08

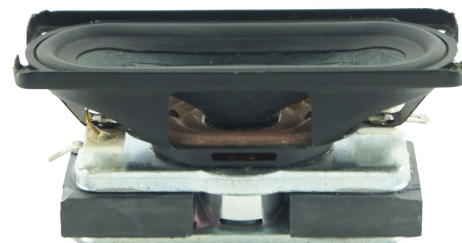
Rev: 1

Product Line: Tymphany

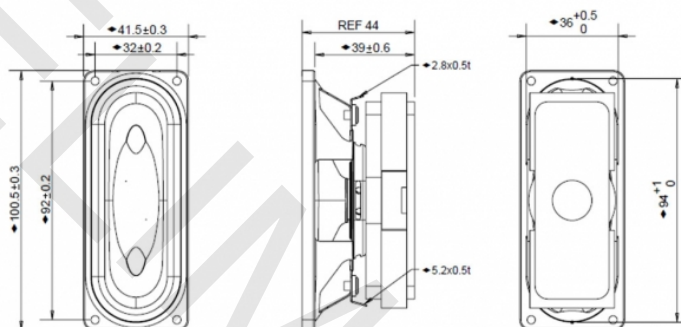
Last Update: 2017-04-21 12:39:42

Product Description

This TC family 1.75*4 inch rectangle 8 ohm woofer, with 2pcs cuboid magnet, paper cone and rubber surround, and steel basket, is designed to be a cost-effective high performance small woofer. The motor contains a aluminium ring to lower inductance and distortion. The product was designed with television and other especial compact applications in mind.



Mechanical Drawing



Specifications

DC Resistance	Revc	Ohms	6.2	5.0%	Energy Bandwidth Product	EBP	(1/Qes)*fs
Minimum Impedance	Zmin	Ohms	8.04	7.5%	Moving Mass	Mms	g
Voice Coil Inductance	Le	mH	0.62		Suspension Compliance	Cms	um/N
Resonant Frequency	Fs	Hz	85	15%	Effective Cone diameter	D	cm
Mechanical Q Factor	Qms		7.65		Effective Piston Area	Sd	cm ²
Electrical Q Factor	Qes		0.88		Effective Volume	Vas	L
Total Q Factor	Qts		0.79		Motor Force Factor	BL	Tm
Ratio Fs/Qts	F	Fs/Qts	108.15		Motor Efficiency Factor	β	(T*M ²)/Ohms
Half Space Sensitivity @2.83V	db@2.83V/1M	dB	80.18	+/- 1.0db	Voice coil former Material	VCfm	KSV
Half Space Sensitivity @1W/1M	db@1W/1M	dB	80.2	+/- 1.0db	Voice coil inner diameter	VCd	mm
Gap Height	Gh	mm	6		Rated Noise Power	P	W
Maximum Linear Excursion	Xmax	mm	1.5		Test Spectrum Bandwidth		200Hz-20KHz
Ferrofluid Type	FF				Driver Size	Inch	1.75 x 4 in
Driver Mass	Kg		0.25				

Frequency and Impedance Response



Highcharts.com