

CONCEALED HINGE - SPRING LOADED

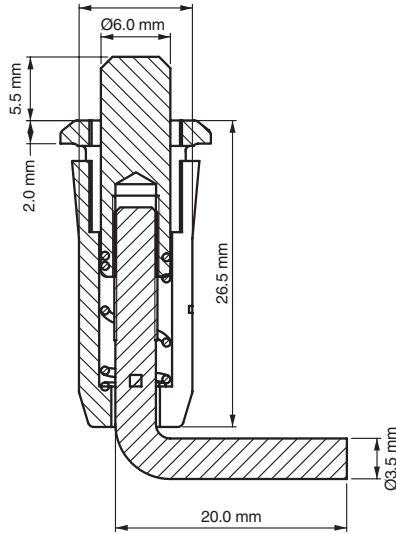


Specifications

- Material:
 - Body: Polyamide DIN-EN ISO1043-1 PA6 GFR 30
 - Pin: Steel

Features

- For internally mounted doors
- Spring-loaded hinge for easy door removal
- Clip installation for easy assembly
- Available as spring-loaded, up-and-down pair; or spring-loaded up hinge and fixed bottom hinge

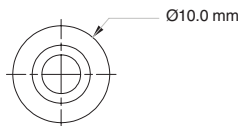
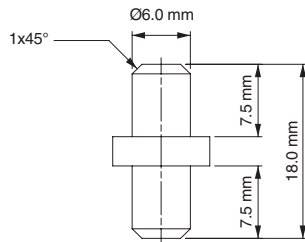


Hinge Rotation Angle



Item Number	Hinge Rotation	Material	Color
389	110°	Nylon	Black

BOTTOM PIVOT PIN



Item Number
32003192