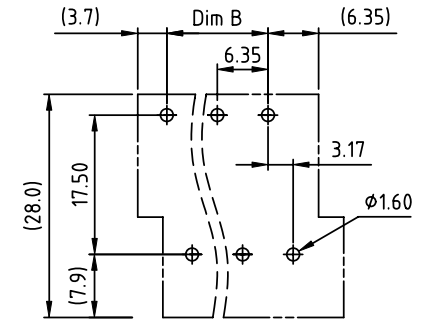
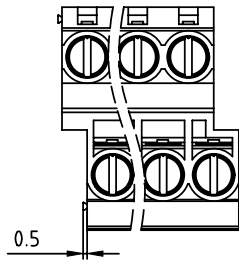
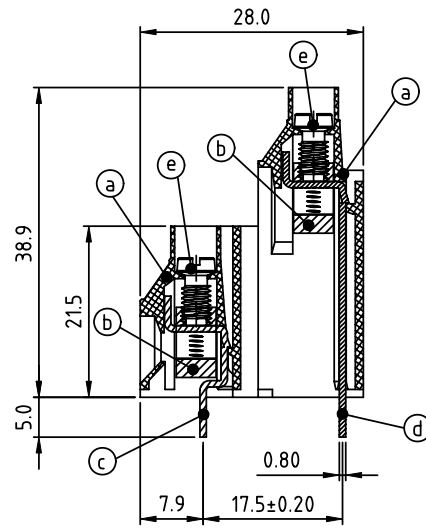
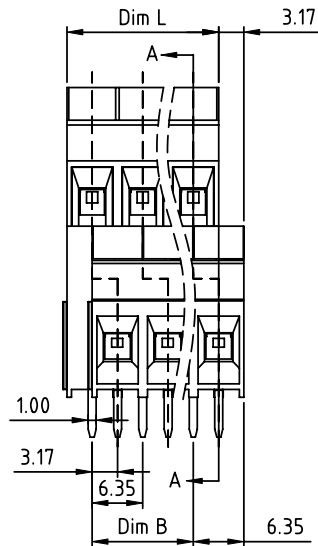


PRODUCT NUMBER	PITCH
VVxx01x000J0G	6.35 mm



RECOMMENDED P.C.B LAYOUT  
TOP VIEW



SECTION A--A

PART NO.: VV xx 0 1 x 0 00J0 G

DIMENSION

Dim L	N/2x6.35
Dim B	(N/2-1)x6.35

N=Number of poles

Poles	Tolerance
2x2p-2x6p	±0.15
2x7p-2x12p	±0.25
2x13p-2x16p	±0.35

End Stackable	0	Black (RAL9005)	RoHS compliant (lead<4%)
No. of poles	2	Red (RAL3001/D)	In copper Alloy
04 2x2 poles	3	Orange(RAL2011/P)	
06 3x2 poles	4	Yellow(RAL1018/A)	
...	...	5 Green(RAL6018/T)	
32 16x2 poles	6	Blue (RAL5015/A)	
	8	Grey(RAL7035/D)	
	9	White(RAL1102)	
	C	Green(RAL6018/U)	

Material:

- Item ① Terminal housing: Thermoplastic (UL 94V-0)
- Item ② Clamp: Brass, Ni plated
- Item ③ Solder pin1: Copper, Tin plated
- Item ④ Solder pin2: Copper, Tin plated
- Item ⑤ Terminal screw: Steel Zinc plating"-slot type

Electrical cULus

- Voltage rating: 300VAC
- Current rating: 30A
- Wire range:
- Solid wire(AWG): 10-30
- Stranded wire(AWG): 10-30
- Torque(Lb-In): 5.2
- Screw: M3.5
- Wire strip length: 10-11mm
- Withstanding Voltage: 1.6KV
- Operating temperature: -40°C to +115°C
- Soldering temperature: 260°C±5°C/5 Sec
- Safety approval: cULus

mat'l. code				surface ASME Y14.5	tolerance ASME Y14.5	projection	product family TERMINAL BLOCK	
ltr	ecn	no	dr	tolerances unless otherwise specified		MM	title	
				angles	X.±0.5		TERMINAL BLOCK	
				±	X.X±0.3	scale	RISING CLAMP, 180D WIRE INLET, END STACKABLE	
				X*±1*	X.XX±0.1		sheet 1 of 1 size	
			dr	EVIN ZHONG	041414	FCI	dwg no	
			enr	EVIN ZHONG	041414		VVxx01x000J0G	
			chr	HANKE FENG	041414		sheet 1 of 1 size	
			appd	SHI JUN	041414		A4	
sheet index	revision	A				type		CUSTOMER Drawing
	sheet	1						