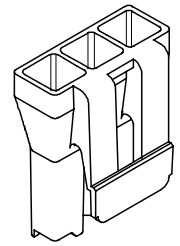
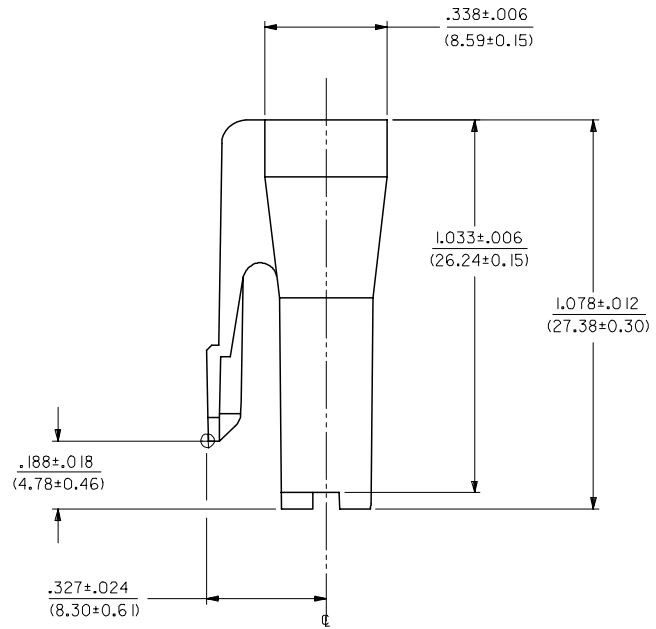
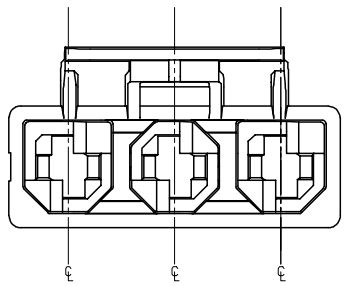
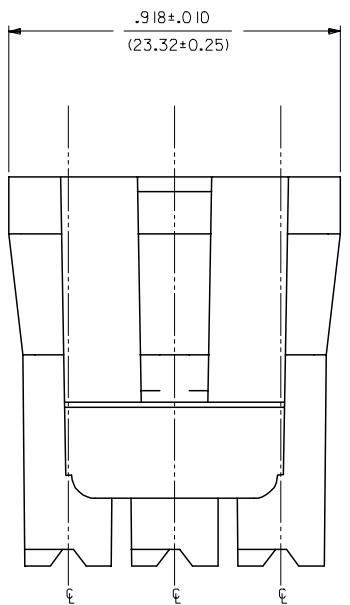
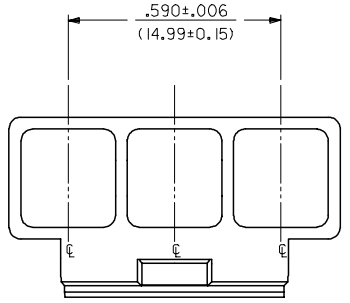


13 12 11 10 9 8 7 6 5 4 3 2 1

	ITEM NUMBER	MATERIAL	COLOR
	43335-1003	A	NATURAL
	43335-2003	B	BLACK
OBSOLETE	43335-3003	A	RED
OBSOLETE	43335-4003	A	BLUE



43335-\*003  
(SCALE 2:1)

- NOTES:
- MATERIAL: A: NYLON, PA66, UL94V-2, COLOR: SEE CHART.  
B: PA6 NYLON, UL94V-0, IEC 60335-1, 4TH EDITION GLOW WIRE CAPABLE.
  - FINISH: NONE
  - PRODUCT SPECIFICATION: PSX-43335-9999
  - PACKAGING SPECIFICATION: PK-43335-001.
  - THIS CONNECTOR HOUSING FOR USE WITH 43375-\*\*\*\* TERMINALS.
  - THIS CONNECTOR HOUSING WILL MATE TO A-43160-\*\*\*3, 43180-\*\*\*3, AND 43384-\*\*\*3 HOUSINGS.
  - SEE SDES-43335-9004 FOR REQUIREMENTS FOR THE MATING INTERFACE.
  - PARTS CONFORM TO CLASS 'B' REQUIREMENTS OF COSMETIC SPECIFICATION PS-45499-002 EXCEPT MATERIAL OPTION 'B' MEETS CLASS 'C' REQUIREMENTS FOR SINK AND DISCOLORATION.

OBS. -3003 & 4003 EC NO: UCP2008-0135 DRWNL: SCHMIDT 2007/07/25 CHKD: AELANG 2007/07/27 APPR: FSM TH 2007/07/27 REVISION DESCRIPTION	QUALITY SYMBOLS	GENERAL TOLERANCES (UNLESS SPECIFIED)	DIMENSION STYLE	SCALE	DESIGN UNITS	THIRD ANGLE PROJECTION
	▽=0 ▽=0	mm INCH 4 PLACES ± --- ± --- 3 PLACES ± --- ± .005 2 PLACES ± 0.13 ± .010 1 PLACE ± 0.25 ± --- ANGULAR ±1/2°	IN/MM DRAWN BY DATE MAB 1995/08/15 CHECKED BY DATE KBP 1995/08/15 APPROVED BY DATE RAS 1995/08/15	4:1	INCH	TITLE 3-CKT RECEPTACLE HOUSING .125X.020 FLAT BLADE SYSTEM W/TPA
	DRAFT WHERE APPLICABLE MUST REMAIN WITHIN DIMENSIONS	SEE CHART	MATERIAL NO.	DOCUMENT NO.	SHEET NO.	
			SD-43335-*003	SD-43335-*003	1 OF 1	

12 11 10 9 8 7 6 5 4 3 2 1