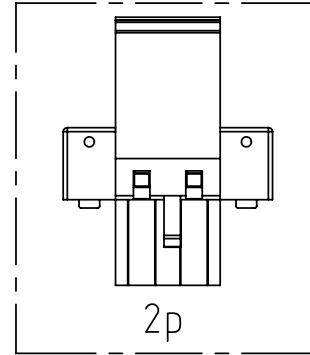
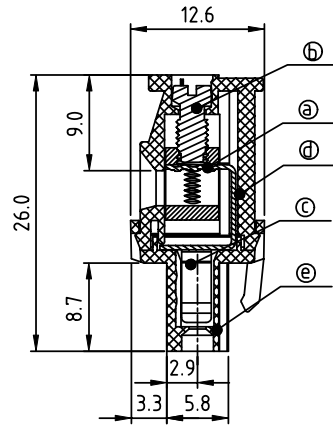
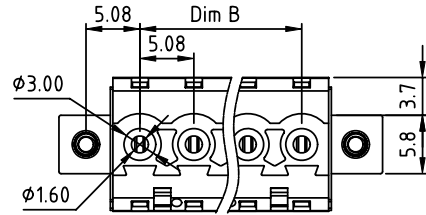
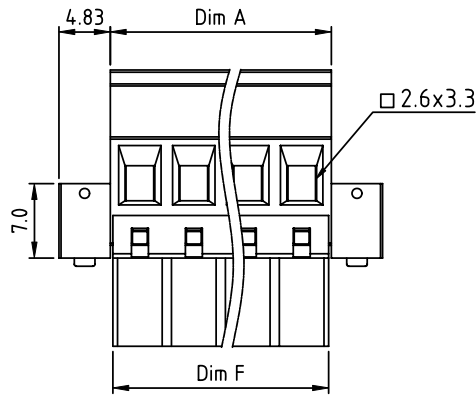
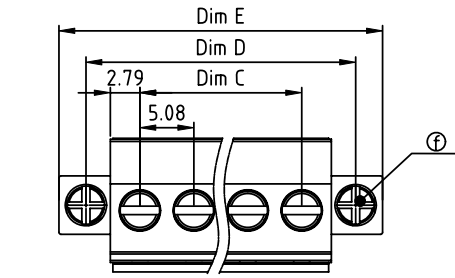


PRODUCT NUMBER	PITCH
TSxx51xD00J0G	5.08 mm



**Material**

- Item ㉑ Clamp: Brass(CuZn), Ni plating
- Item ㉒ Terminal screw: Steel Zinc plating "-" slot type
- Item ㉓ Female contact: PhBz, Tin plated
- Item ㉔ Top body: Thermoplastic (UL94V-0)
- Item ㉕ Bottom body: Thermoplastic (UL94V-0)
- Item ㉖ With flange screw : Steel Zinc plating M2.5 "+/-" combination type

**Electrical cULus/VDE/TUV**

- Voltage rating: 300VAC/300VAC/300VAC
- Current rating: 15A/17A/15A
- Wire range: 2.5mm<sup>2</sup>/0.34-2.5mm<sup>2</sup>
- Solid wire(AWG): 12-24
- Stranded wire(AWG): 12-24
- Torque: 3.5Lb-In./0.5Nm/0.4Nm
- Screw: M3
- Wire strip length: 6-7mm
- Withstanding Voltage: 1.6KV/2.5KV/2.5KV
- Operating temperature: -40°C to +115°C
- Safety approval:

N = Number of poles  
 Dim A=Nx5.08+0.5  
 Dim B=(N-1)x5.08  
 Dim C=(N-1)x5.08  
 Dim D=(N-1)x5.08+10.16  
 Dim E=(N-1)x5.08+15.24  
 Dim F=Nx5.08

poles	Dim A	Dim B
2-6p	±0.15	±0.10
7-12p	±0.25	±0.15
13-18p	±0.30	±0.20
19-24p	±0.40	±0.30

PART NO.: TS xx 51 x D 00J 0 G

Solid block	No. of poles	Color	RoHS compliant (lead<4%) In copper Alloy
0	2	Black (RAL9005)	
02	2 poles	Red (RAL3001/D)	
03	3 poles	Orange(RAL2011/P)	
04	4 poles	Yellow(RAL1018/A)	
05	5 poles	Green(RAL6018/T)	
06	6 poles	Blue (RAL5015/A)	
08	8 poles	Grey(RAL7035/D)	
09	9 poles	White(RAL1102)	
0C	12 poles	Green(RAL6018/U)	

mat'l. code		surface ASME Y14.5	tolerance ASME Y14.5	projection	product family
ltr	ecn no	dr	date		TERMINAL BLOCK
tolerances unless otherwise specified				MM	title
angles				scale	TERMINAL BLOCK
X°±1'				PLUGGABLE PLUG,HOOK ON BACK SIDE,WITH FLANGE	
dr EVIN ZHONG 041914					dwg no
enrg EVIN ZHONG 041914					sheet 1 of 1
chr HANKE FENG 041914					size
appd SHI JUN 041914					A4
sheet index				revision	type
				A	CUSTOMER Drawing
				1	