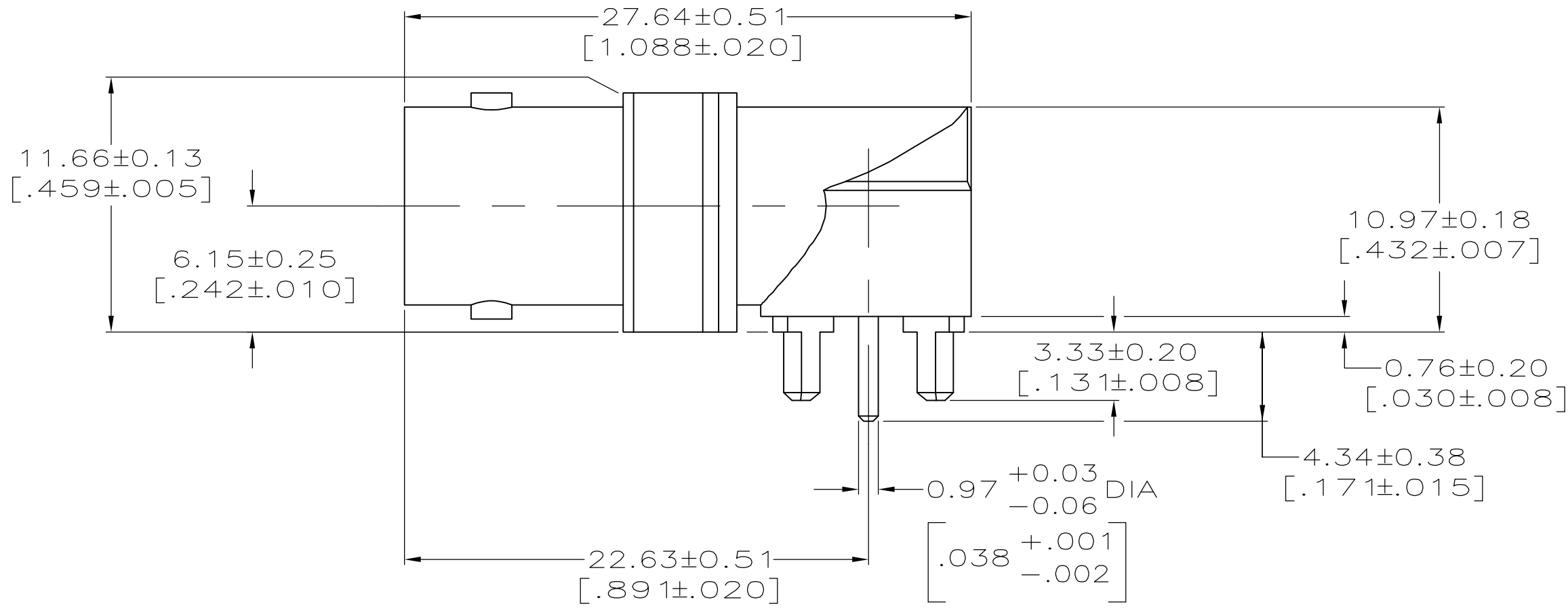
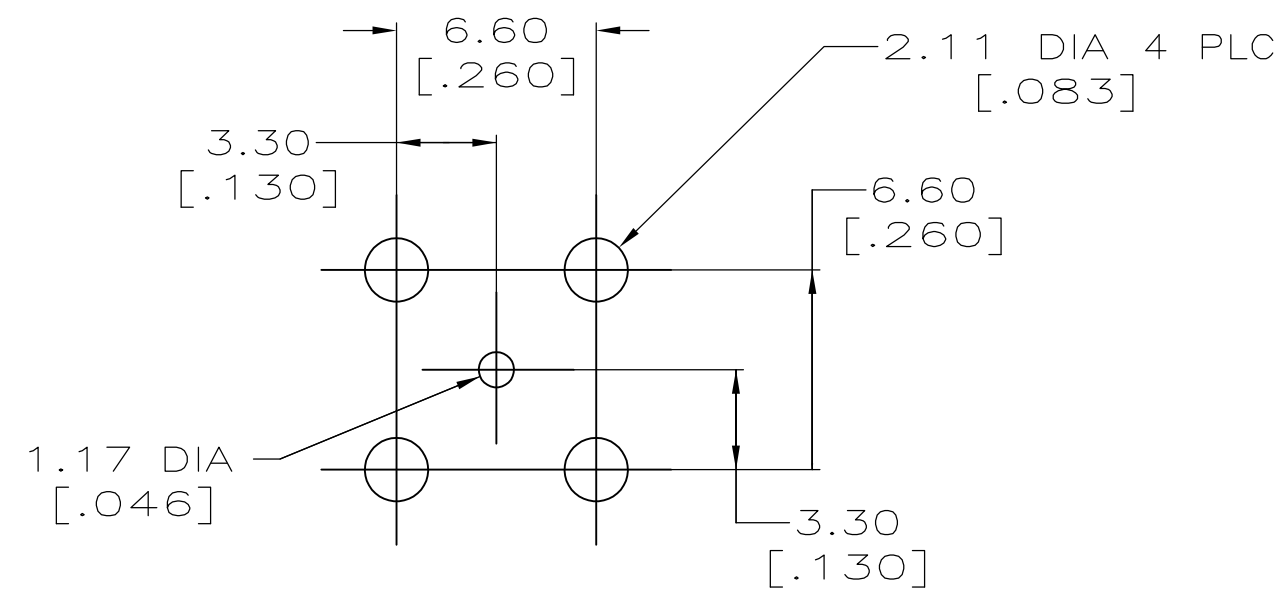
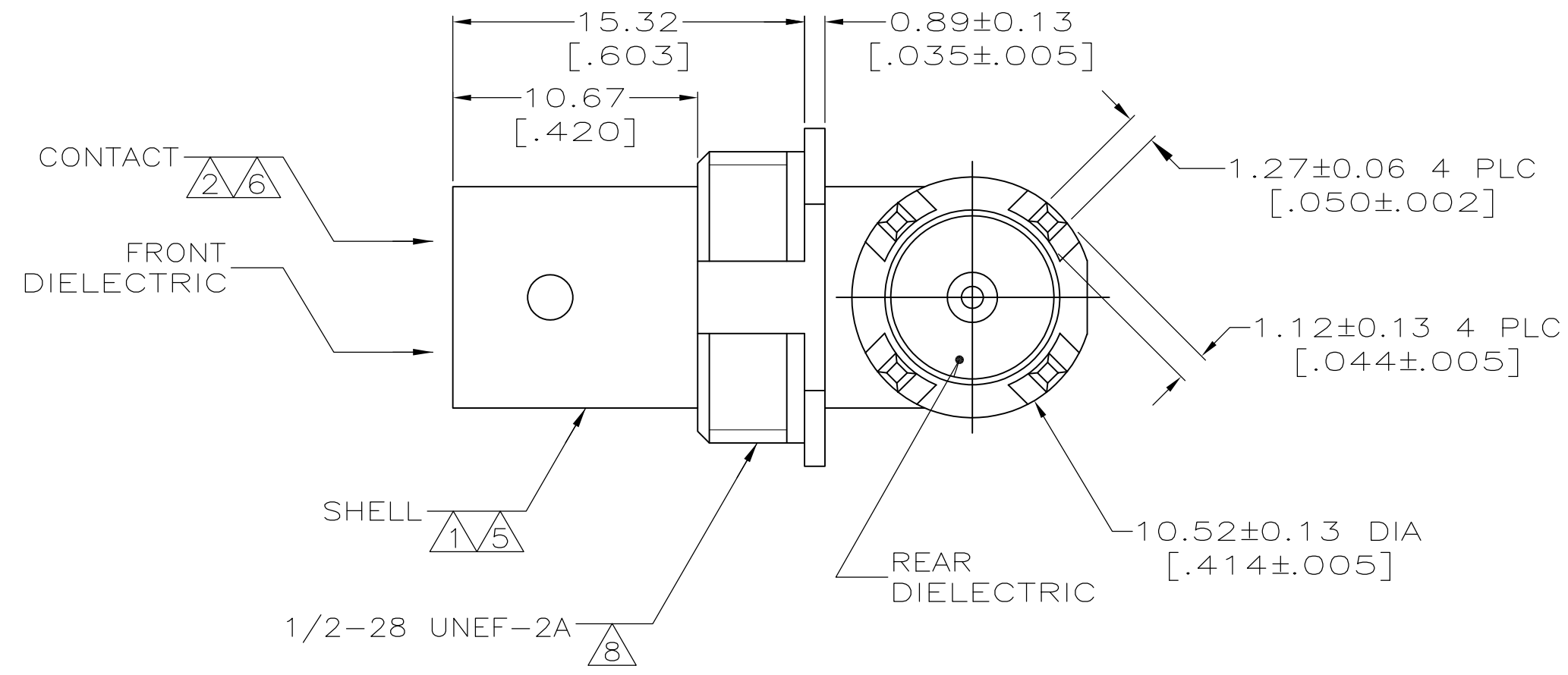


THIS DRAWING IS UNPUBLISHED. RELEASED FOR PUBLICATION
 © COPYRIGHT - By - ALL RIGHTS RESERVED.

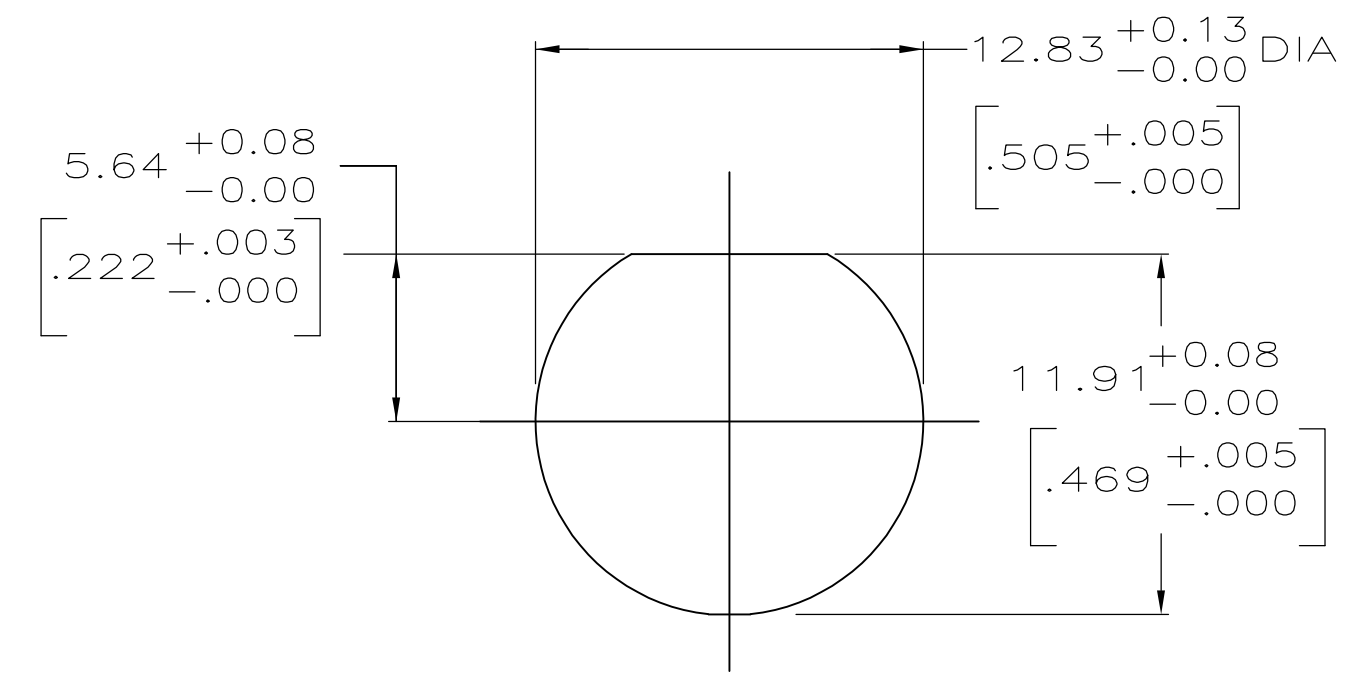
LOC	DIST	REVISIONS			
P	LTR	DESCRIPTION	DATE	DWN	APVD
AJ	00	A1	REVISED PER ECO-11-005030	11MAR11	RK HMR



- ① ZINC PER QQ-Z-363.
- ② PHOSPHOR BRONZE PER QQ-B-750.
- ③ PTFE PER MIL-P-19468.
- ④ POLYMETHYLPENTENE, GENERAL PURPOSE
- ⑤ TIN PLATE PER ASTM-B-545, 3.81µm [.000150] MINIMUM THICK OVER
- ⑥ GOLD PLATE PER MIL-G-45204, 0.76µm [.000030] MINIMUM THICK.
- ⑦ INTERFACE PER MIL-C-39012
- ⑧ MODIFIED MAJOR DIAMETER TO 12.29 [.484]



PCB CONFIGURATION



RECOMMENDED PANEL CUTOUT

③	③	5415025-2
③	④	5415025-1
REAR	FRONT	PART NUMBER
DIELECTRIC MATERIAL		

THIS DRAWING IS A CONTROLLED DOCUMENT.		DWN G. ATTADIA - DOCK5 01FEB2005	TE Connectivity	
DIMENSIONS: mm [INCHES]		CHK J. HAVENER 01FEB2005	NAME JACK, RIGHT ANGLE, 50 OHM, PCB, BNC	
TOLERANCES UNLESS OTHERWISE SPECIFIED:		APVD J. LIPPERT 01FEB2005	PRODUCT SPEC 108-12078	
0 PLC ± -		APPLICATION SPEC		
1 PLC ± -		-		
2 PLC ± 0.08 [.003]		WEIGHT -		
3 PLC ± -		SIZE A2		
4 PLC ± -		CAGE CODE 00779		
ANGLES ± -		DRAWING NO C=5415025		
FINISH		RESTRICTED TO -		
SEE NOTES 1-4		SCALE 4:1 SHEET 1 OF 1 REV A1		
SEE NOTES 5, 6		CUSTOMER DRAWING		