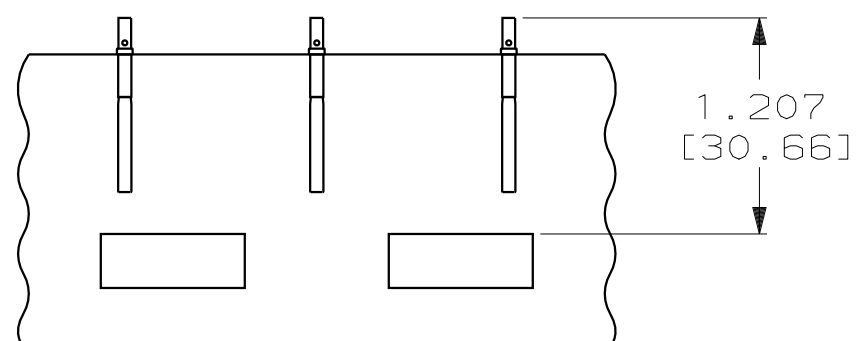
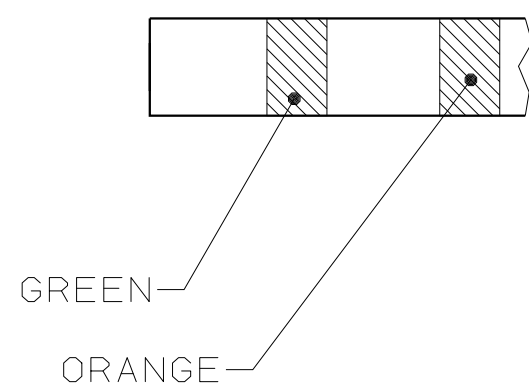


THIS DRAWING IS UNPUBLISHED. RELEASED FOR PUBLICATION ,19 .
 © COPYRIGHT 19 BY AMP INCORPORATED. ALL INTERNATIONAL RIGHTS RESERVED.

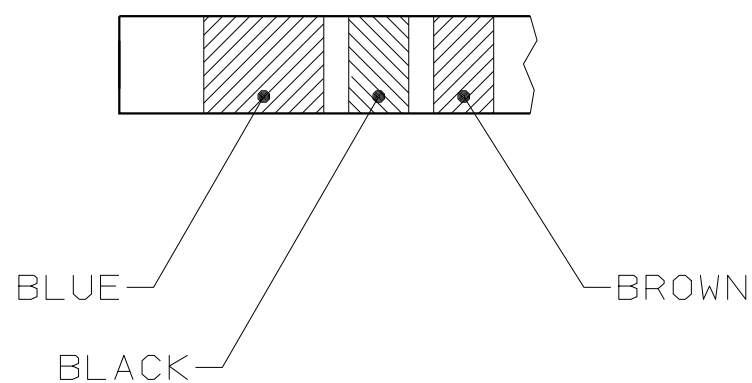
LOC	DIST	P	F	ZONE	LTR	DESCRIPTION	DATE	APPD
DF	AO				K	REV PER OH14-0154-04	CT	12-8-04 SG
					L	REV PER OH14-0271-04	CT	12-8-04 SG



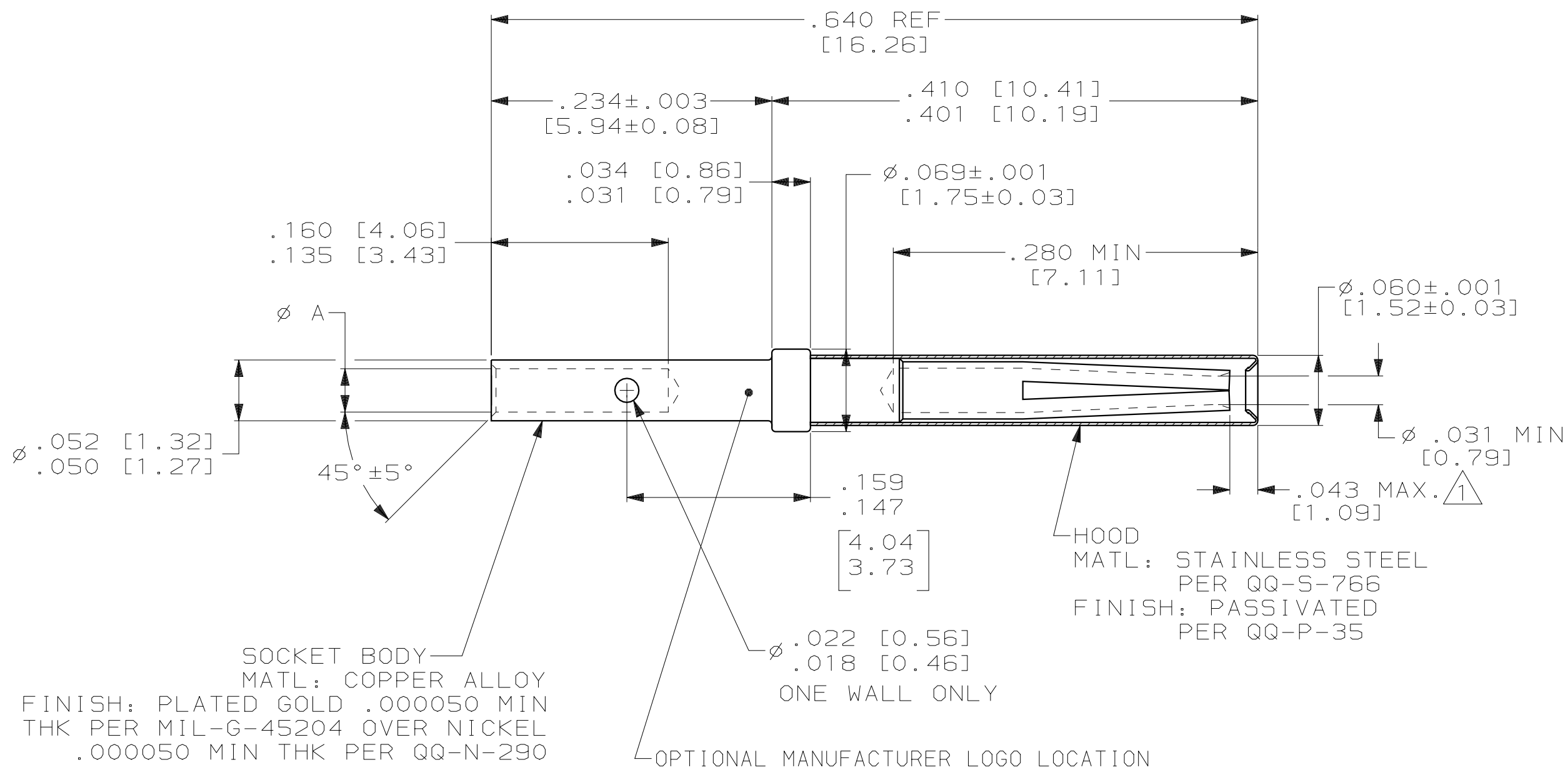
TAPE MOUNTED ASSEMBLY
 SCALE 1:1
 (208264-3 ONLY)
 DETAIL A



COLOR CODE
 (-2 & -3 ONLY)
 DETAIL B



COLOR CODE
 (-4 ONLY)
 DETAIL C



SOCKET BODY
 MATL: COPPER ALLOY
 FINISH: PLATED GOLD .000050 MIN THK PER MIL-G-45204 OVER NICKEL .000050 MIN THK PER QQ-N-290

HOOD
 MATL: STAINLESS STEEL PER QQ-S-766
 FINISH: PASSIVATED PER QQ-P-35

▲ ELECTRICAL ENGAGEMENT.

.023-.025 [0.58-0.64]	-	-	208264-6
.034-.0370 [0.864-0.940]	-	SEE DETAIL C	208264-4
.034-.0370 [0.864-0.940]	SEE DETAIL A	SEE DETAIL B	208264-3
.034-.0370 [0.864-0.940]	-	SEE DETAIL B	208264-2
DIM A	TAPE MOUNTED	COLOR CODE	PART NO.

DO NOT SCALE PRINT. UNLESS SPECIFIED DIMENSIONS IN INCHES [mm] TOLERANCES ON : 2 PLC DEC ± - 3 PLC DEC ± .005 [0.13] ANGLES ± -	DR 5-8-91 C.C.THOMAS	AMP Incorporated Harrisburg, PA 17105-3608	
	CHK 7-25-91 A.SHARPE		
MATERIAL SEE CALLOUTS	APPD 7-25-91 A.SHARPE	NAME ASSY, CONTACT, SOCKET, SIZE 22, ARINC 600	
	APPD 7-25-91 C.THOMAS		
FINISH SEE CALLOUTS	PRODUCT SPEC -	SIZE C	CAGE CODE 00779
	APPLICATION SPEC -	SCALE 10:1	DRAWING NO 208264
	WEIGHT -		SHEET 1 OF 1