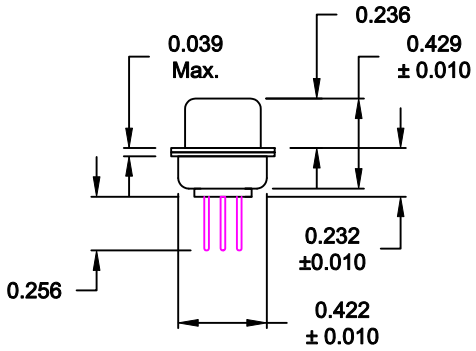
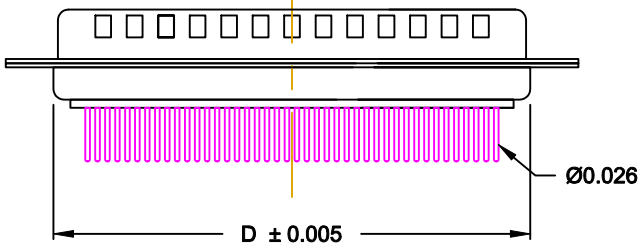
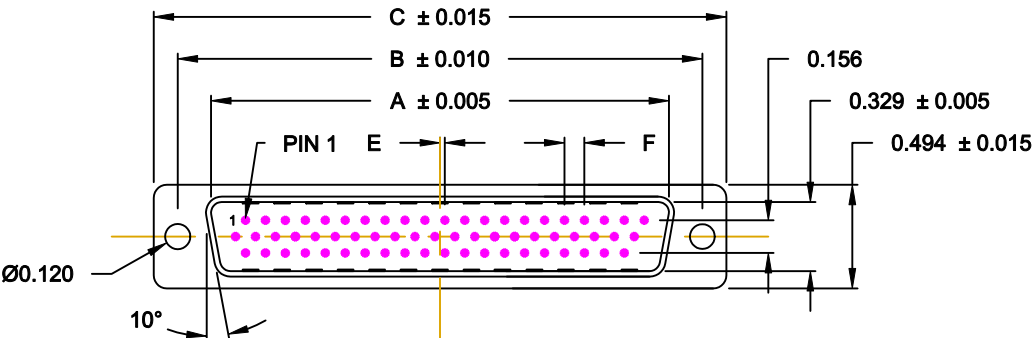


DESCRIPTION: MALE - HIGH DENSITY - MACHINED CONTACTS - VERTICAL



MATERIALS AND FINISH:

SHELL: STEEL MATERIAL, NICKEL FINISH
 INSULATOR: PA6T = 260°C, UL 94V-0 RATED, BLACK
 CONTACT MATERIAL: BRASS
 CONTACT FINISH: FULL GOLD FLASH
 SEAL MATERIAL: F08 FLEXIBLE ADHESIVE

ELECTRICAL:

CONTACT CURRENT RATING: 5 AMPS
 CONTACT RESISTANCE: 30 Milliohms Max.
 DIELECTRIC WITHSTANDING VOLTAGE: 1,000VAC Min.
 INSULATION RESISTANCE: 5,000 Megohms Min.
 TEMPERATURE RATING: -55° ~ +105° C

780-M YY-1 1 3 R YY 1

SERIES _____
 MACHINED CONTACTS _____
 POSITION _____
 15 _____
 26 _____
 44 _____
 GENDER _____
 1 = MALE
 TERMINATION _____
 1 = VERTICAL DIP
 SHELL PLATING _____
 3 = NICKEL
 RoHS COMPLIANT _____
 HARDWARE _____
 00 = Ø 0.120" HOLE (RECOMMEND PCB SPACER)
 01 = 0.098" 4-40 INSERT, BOARD SIDE
 05 = 0.224" 4-40 BOARD LOCK, BOARD SIDE
 CONTACT PLATING _____
 1 = GOLD FLASH, ENTIRE CONTACT
 2 = 30 MICRO INCH GOLD
 3 = 50 MICRO INCH GOLD

DIMENSIONS (IN.)						
No. OF PINS	A	B	C	D	E	F
15	0.666	0.984	1.213	0.759	0.010	0.090
26	0.994	1.312	1.541	1.083	0.020	0.090
44	1.534	1.852	2.088	1.625	0.020	0.090

MEETS IP67 STANDARDS

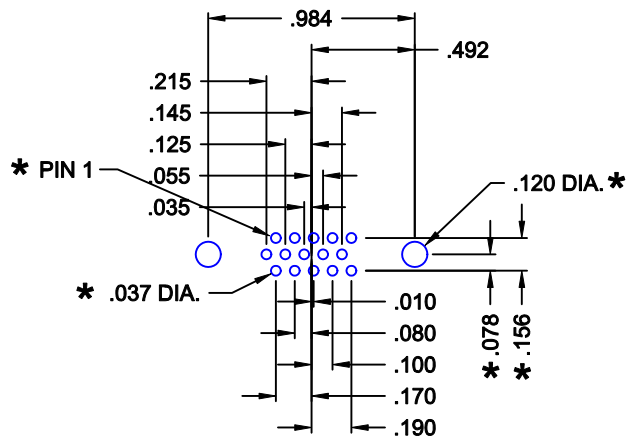
(SEE PAGE 3 FOR SEALING DETAILS)

DO NOT SCALE FROM DRAWING

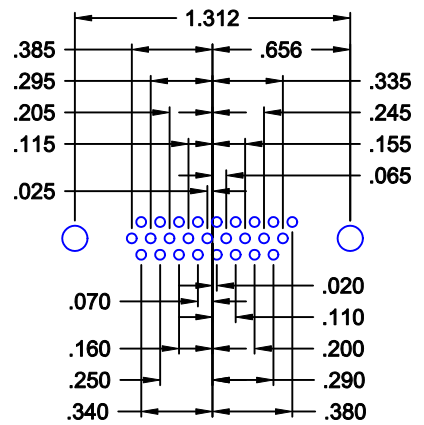
RoHS COMPLIANT

	THESE DRAWINGS AND SPECIFICATIONS ARE THE PROPERTY OF NorComp AND SHALL NOT BE REPRODUCED, COPIED OR USED AS THE BASIS FOR THE MANUFACTURE OF SALE OF APPARATUS WITHOUT WRITTEN PERMISSION.		DRAWN: P. JENKINS	DATE: 06-08-09
			CHECKED:	DATE:
		SCALE: 1 : 1	SHEET 1 OF 4	REV 9
		DWG NO. 780-MYY-113RYY1		

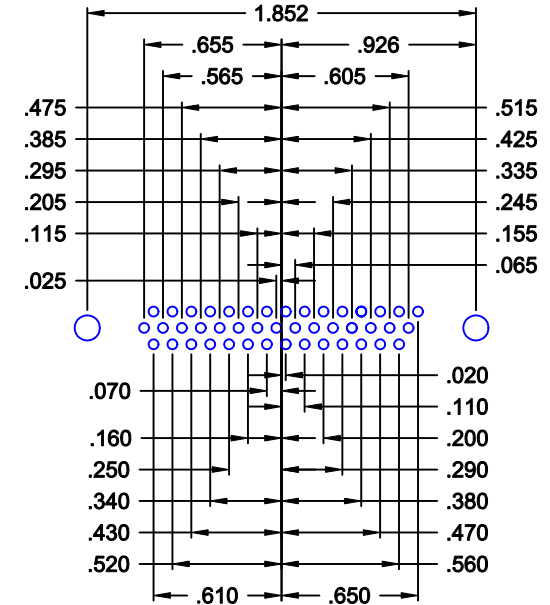
DESCRIPTION: LAYOUT - HIGH DENSITY - MACHINED CONTACTS - VERTICAL



15 POSITION




26 POSITION



44 POSITION

* TYP. ON ALL SIZES

DO NOT SCALE FROM DRAWING

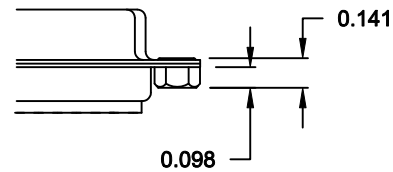
	THESE DRAWINGS AND SPECIFICATIONS ARE THE PROPERTY OF NorComp AND SHALL NOT BE REPRODUCED, COPIED OR USED AS THE BASIS FOR THE MANUFACTURE OF SALE OF APPARATUS WITHOUT WRITTEN PERMISSION.		DRAWN: P. JENKINS	DATE: 06-08-09
			CHECKED:	DATE:
<h1>NorComp</h1>			SCALE: 1 : 1	SHEET 2 OF 4
			DWG NO. 780-MYY-113RYY1	

DESCRIPTION: CLINCH NUT HARDWARE

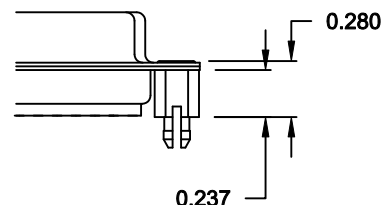
TOLERANCE:
ALL DIMENSIONS ARE ±0.010

ALL CLINCH-NUTS ARE 4-40 INTERNAL THREADS


01X 0.098" (BOARD SIDE) - CN1



05X 0.237" BOARD SIDE - CN10

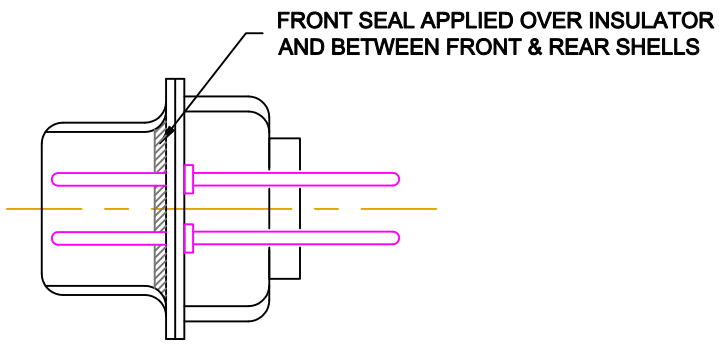
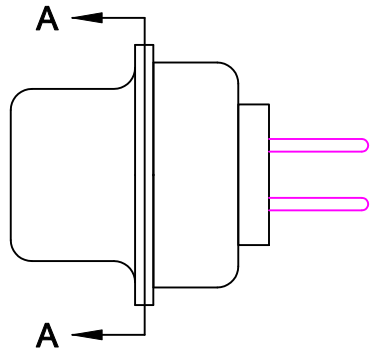


DO NOT SCALE FROM DRAWING

	THESE DRAWINGS AND SPECIFICATIONS ARE THE PROPERTY OF NorComp AND SHALL NOT BE REPRODUCED, COPIED OR USED AS THE BASIS FOR THE MANUFACTURE OF SALE OF APPARATUS WITHOUT WRITTEN PERMISSION.		DRAWN: M. SIGMON	DATE: 12-10-10	
			CHECKED:	DATE:	
<h1>NorComp</h1>			SCALE:	SHEET 3 OF 4	REV 9
			DWG NO. 780-MYY-113RYY1		


RoHS COMPLIANT

DESCRIPTION: IP67 - MALE - HIGH DENSITY - DIP SOLDER - MACHINED - SEALING PROCESS



DETAIL A-A

DO NOT SCALE FROM DRAWING

	THESE DRAWINGS AND SPECIFICATIONS ARE THE PROPERTY OF NorComp AND SHALL NOT BE REPRODUCED, COPIED OR USED AS THE BASIS FOR THE MANUFACTURE OF SALE OF APPARATUS WITHOUT WRITTEN PERMISSION.	DRAWN: C. SMITH	DATE: 06-10-09	
		CHECKED:	DATE:	
NorComp	SCALE: 2.5 : 1	SHEET 4	OF 4	REV 9
	DWG NO. 780-MYY-113RYY1			