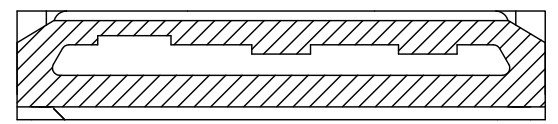
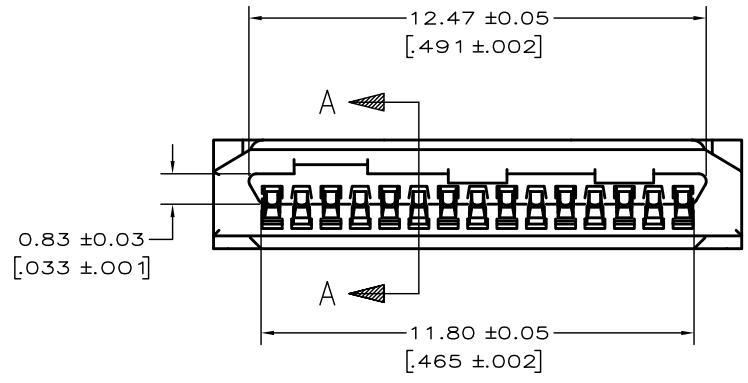
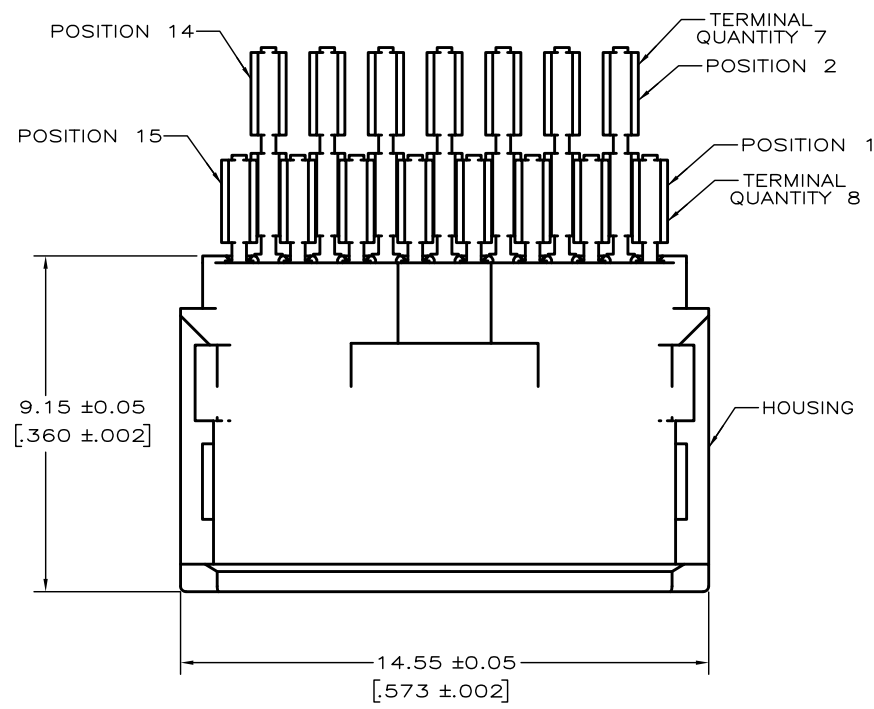
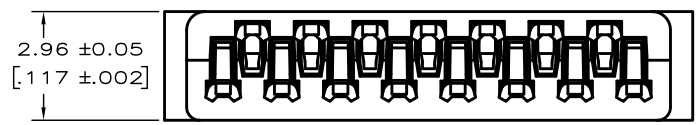
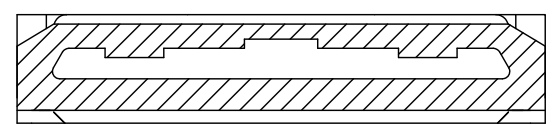


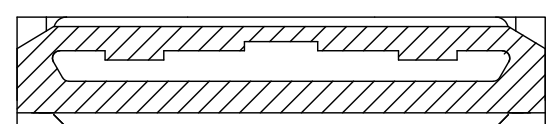
REVISONS		DATE	BY	APP'D
A1	REVISED (ECR-14-006391)	21AUG14	BW	SC



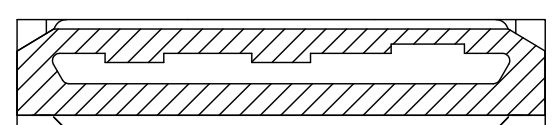
5558666-5  
KEY 5  
TBD



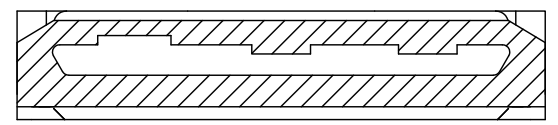
5558666-4  
KEY 4  
LAN



5558666-3  
KEY 3  
MODEM

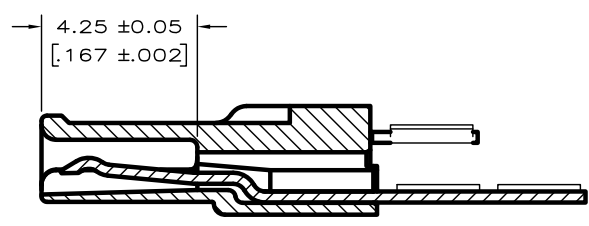


5558666-2  
KEY 2  
MULTI-FUNCTION



5558666-1  
KEY 1  
CLOSED

KEYING OPTIONS  
SOME DETAIL OMITTED FOR CLARITY



SECTION A-A

- △ HOUSING: NYLON MOLDING COMPOUND, BLACK.
  - TERMINALS: 0.3[.012] THICK PHOS BRONZE.
  - PLATING: NICKEL UNDERPLATE OVER ENTIRE TERMINAL. 2.54μm[.000100] MINIMUM THICKNESS.
  - LOCALIZED PLATING AREA: 0.254μm[.000010] THICK GOLD OVER 1.016μm[.000040] MINIMUM THICK PALLADIUM NICKEL (OVER 0.051μm[000002] MINIMUM THICK GOLD WHEN REQUIRED BY PROCESS CONDITIONS).
  - SOLDERABLE AREA PLATED WITH MATTE TIN 3.81 MICRONS MINIMUM THICK.
2. 5558666-1 KEY1 (CLOSED) AS SHOWN.

DESCRIPTION	PART NUMBER
KEY 5	5558666-5
OBSOLETE KEY 4	5558666-4
OBSOLETE KEY 3	5558666-3
KEY 2	5558666-2
OBSOLETE KEY 1	5558666-1

THIS DRAWING IS A CONTROLLED DOCUMENT.

DRW: B. LATTUCA 10AUG08  
 CHK: D. GORENC 10AUG08  
 APP: M. WALMSLEY 10AUG08

TE Connectivity

CONNECTOR ASSEMBLY,  
 CABLE, 15 POSITION, INFOPORT,  
 SERIES III

SCALE: 10:1 SHEET 1 OF 1 REV A1