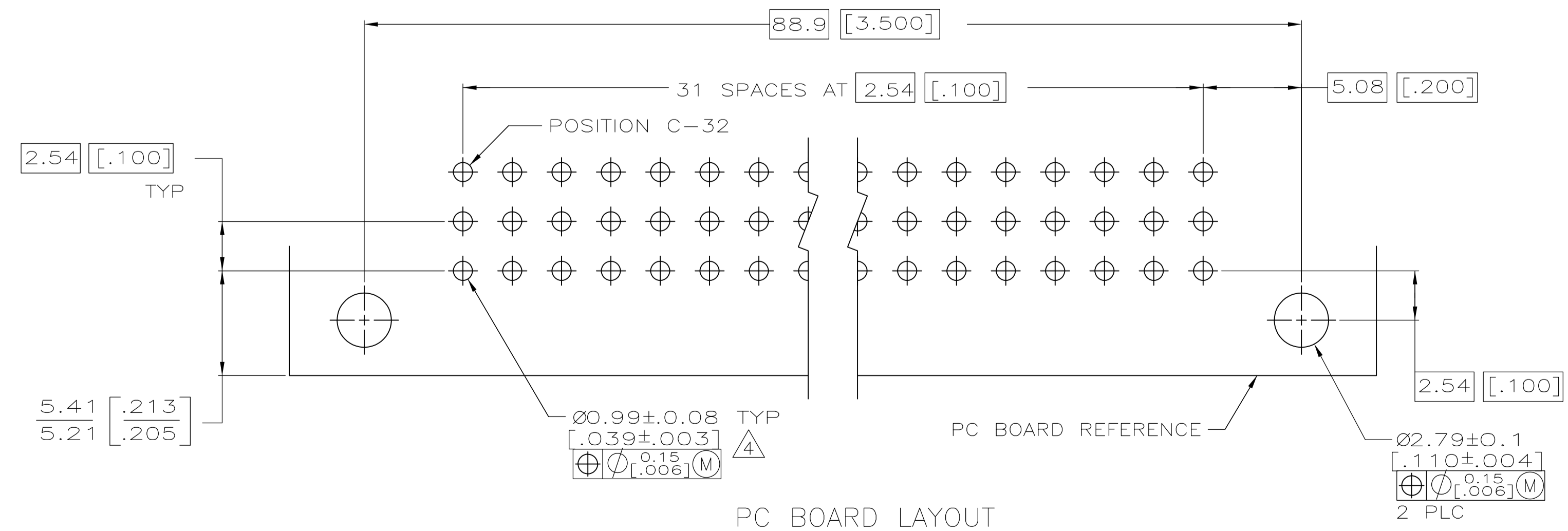
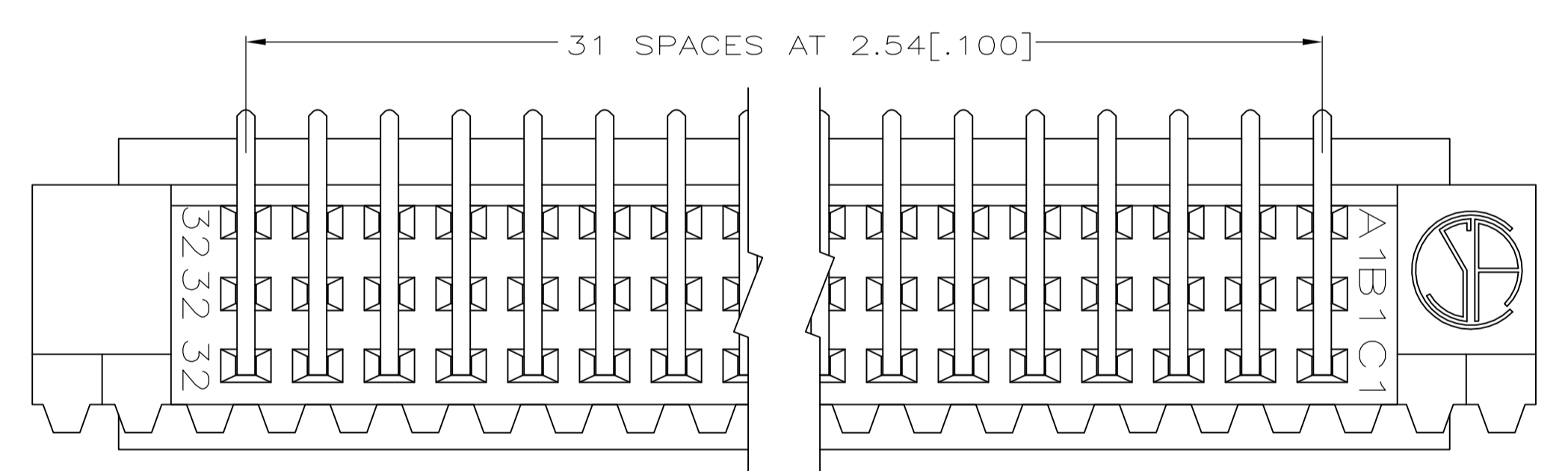
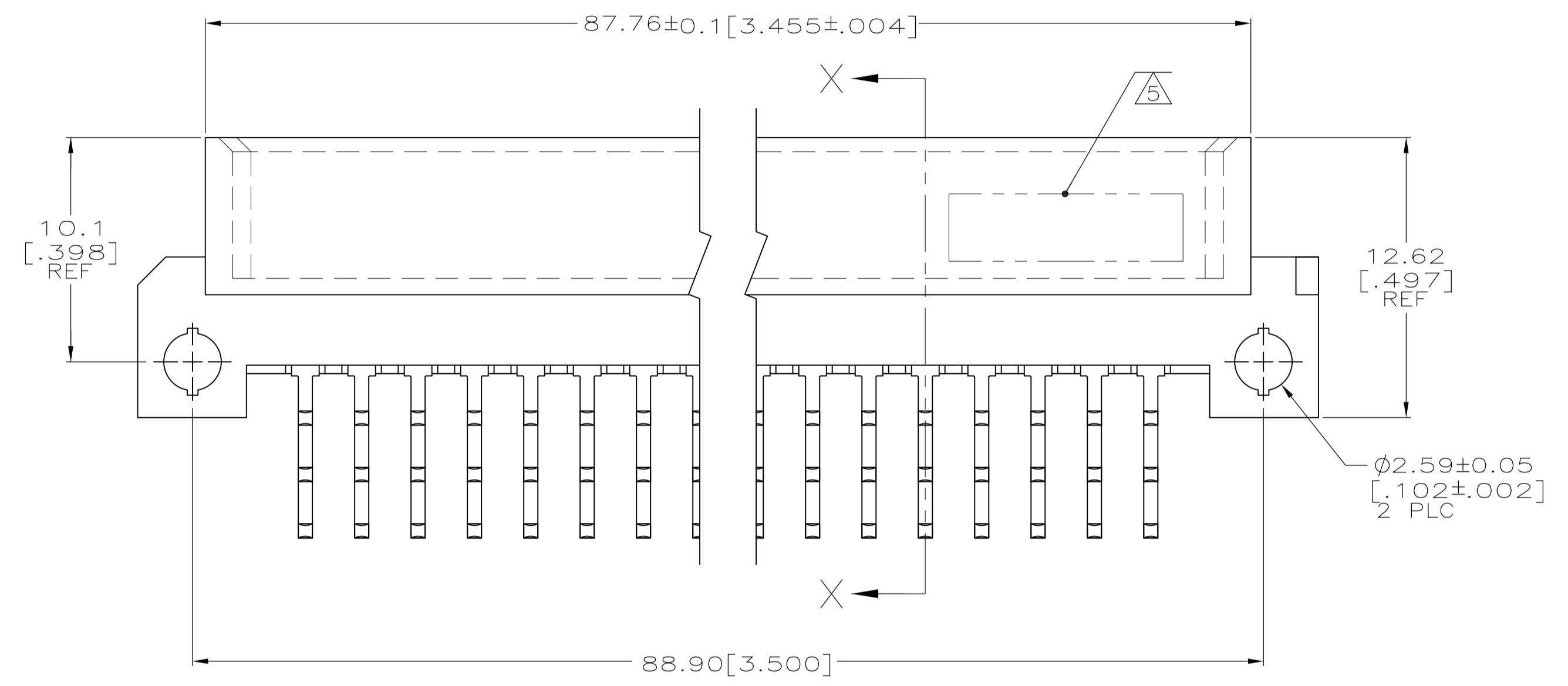
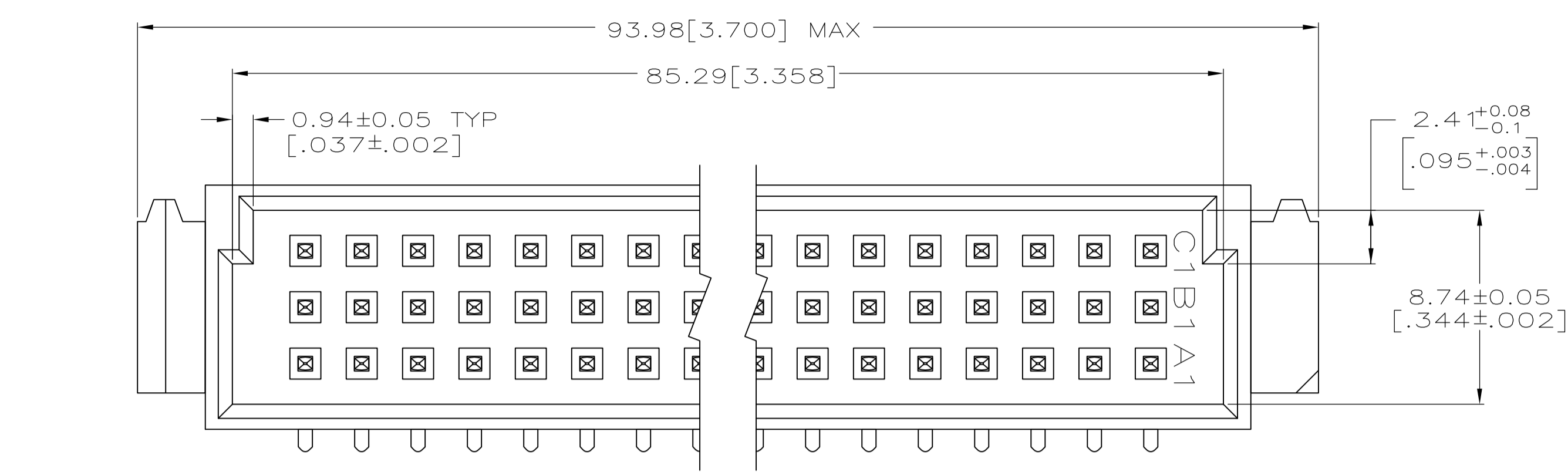
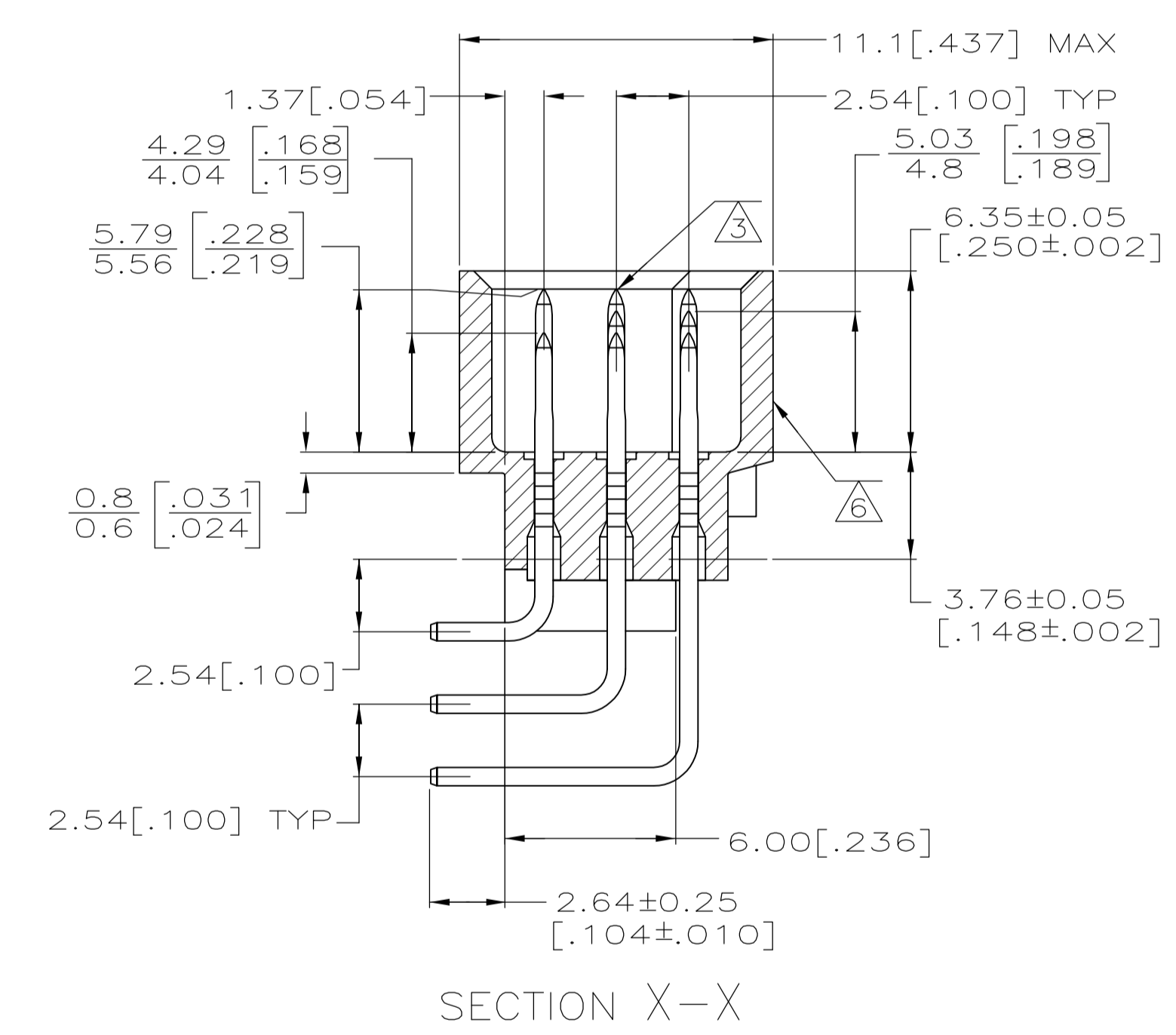


LOC		DIST		REVISIONS			
AD	00	REV	DESCRIPTION	DATE	BY	CHK	APPROV
U1		REV PER ECO-06-026688		05DEC2006	BC		DB
U2		REVISED PER ECO-09-020935		07SEP09	KK		AEG



- 1 HOUSING MATERIAL: GLASS-FILLED POLYESTER. COLOR: GRAY.
- 2 POST MATERIAL: BRASS.
- 3 POST FINISH: DIN 41612 CLASS 2 IN CONTACT AREA. TIN-LEAD PLATE ON POSTS.
- 4 RECOMMENDED HOLE SIZE FOR MANUAL APPLICATION OF CONNECTOR ONTO PC BOARD.
- 5 PART NUMBER, DATE CODE MARKED THIS APPROXIMATE AREA.
- 6 MARKING ON THIS SIDE.
- 7 THE 5.69[.224] LONG MAKE FIRST POSTS EXCEED THE ALIGNMENT CAPABILITY OF THE HOUSING AND COULD POSSIBLY STUB DURING MATING. CUSTOMERS MUST TAKE THIS INTO CONSIDERATION IN CARD CAGE DESIGN.
- 8 OBSOLETE PARTS: OBSOLETE CIS STREAMLINING PER D.RENAUD/D.SINISI



SECTION X-X

THIS DRAWING IS A CONTROLLED DOCUMENT.		DIN L. BRINER 1/18/95	Tyco Electronics Corporation Harrisburg, PA 17105-3608
DIMENSIONS: mm [INCHES]		CHK R. PATTERSON 1/19/95	
TOLERANCES UNLESS OTHERWISE SPECIFIED:		APP'D R. PATTERSON 1/19/95	NAME
0 PLC ± -	1 PLC ± -	PRODUCT SPEC	PIN ASSEMBLY, EUROCARD, TYPE C WITH MFBL CONTACTS
2 PLC ± 0.13[.005]	3 PLC ± -	APPLICATION SPEC	
4 PLC ± -	ANGLES ± -	SIZE	CAGE CODE DRAWING NO
MATERIAL	FINISH	WEIGHT	A1 00779 C=148123
CUSTOMER DRAWING		SCALE 5:1	SHEET 1 OF 2 REV U2

29-32	1-4,8,11,12,15,16,24,27	5-7,9,10,13,14,17-23,25,26,28	C	32	1-148123-4 OBSOLETE
29-32	1-4,20-27	5-19,28	B	32	
29-32	1-4,6,8,11,14,15,25,26	5,7,9,10,12,13,16-24,27,28	A	32	1-148123-2 OBSOLETE
NONE	1-3,5-32	4	C	32	
1-15,18	16,17,19-32	NONE	B	32	1-148123-1 OBSOLETE
1,4	2,3,5-32	NONE	A	32	
16,24	21	1-15,17-20,22,23,25-32	C	32	1-148123-0
3,16,24	21	1,2,4-15,17-20,22,23,25-32	B	32	
16,24	21	1-15,17-20,22,23,25-32	A	32	148123-9 OBSOLETE
15-18	13,14,19,20	1-12,21-32	C	32	
15-18	13,14,19,20	1-12,21-32	B	32	148123-8
15-18	13,14,19,20	1-12,21-32	A	32	
2,6,9,18,20,25,28,31	1,3-5,7,8,10-17,19,21,23,24,26,27,29,30,32	22	C	32	148123-7 OBSOLETE
NONE	1-15,18-32	16,17	B	32	
2,5,8,13,15,24,27,31	1,3,4,6,7,9,10,12,14,16-23,25,26,28-30,32	11	A	32	148123-6 OBSOLETE
1,32	2,31	3-30	C	32	
1,32	2,31	3-30	B	32	148123-5 OBSOLETE
1,32	2,31	3-30	A	32	
NONE	1-32	NONE	C	32	148123-4 OBSOLETE
1,32	2-31	NONE	B	32	
NONE	1-32	NONE	A	32	148123-3 OBSOLETE
8,10,14,21	13,15	1-7,9,11,12,16-20,22,24,26,28,30,32	C	27	
8,10,14,21	9,11-13,15	1-7,16-20,22	B	22	148123-2 OBSOLETE
8,10,14,16,21	13,15	1-7,9,11,12,17-20,22,24,26,28,30,32	A	27	
8,10,13,14,21	11,12,15	1-7,9,16-20,22,24,26,28,30,32	C	27	148123-1 OBSOLETE
8,10-14,21	9,15	1-7,16-20,22	B	22	
8,10,13,14,16,21	11,12,15	1-7,9,17-20,22,24,26,28,30,32	A	27	148123-0 OBSOLETE
31,32	7,12,15,18	1-6,8-11,13,14,16,17,19-30	C	32	
7,9,12,15,17,18,22,25	NONE	1-6,8,10,11,13,14,16,19-21,23,24,26-32	B	32	148123-9 OBSOLETE
2,5,14,20	NONE	1,3,4,6-13,15-19,21-32	A	32	
31,32	7,12,15,18	1-6,8-11,13,14,16,17,19-30	C	32	148123-8 OBSOLETE
7,9,12,15,17,18,22,25	NONE	1-6,8,10,11,13,14,16,19-21,23,24,26-32	B	32	
2,5,14,20	NONE	1,3,4,6-13,15-19,21-32	A	32	148123-7 OBSOLETE
1-4,30-32	5-29	NONE	C	32	
14-16,18,19,21	1-3,30-32	4-13,17,20,22-29	B	32	148123-6 OBSOLETE
NONE	1,2,4,6,8,10,12,14,16,18,20,22,24,26,28,30,32	3,5,7,9,11,13,15,17,19,21,23,25,27,29,31	A	32	
5-7,9,19,21,29,31	NONE	1-4,8,10-18,20,22-28,30,32	C	32	148123-5 OBSOLETE
5-7,9,19,21,29,31	NONE	1-4,8,10-18,20,22-28,30,32	B	32	
5-7,9,19,21,29,31	NONE	1-4,8,10-18,20,22-28,30,32	A	32	148123-4 OBSOLETE
POSITIONS LOADED WITH 5.69[.224] CONTACTS	POSITIONS LOADED WITH 4.93[.194] CONTACTS	POSITIONS LOADED WITH 4.16[.164] CONTACTS	ROWS	NO. OF LOADED POSITIONS	

THIS DRAWING IS A CONTROLLED DOCUMENT.		DIN L BRINER 5/8/96	Tyco Electronics Corporation Harrisburg, PA 17105-3608
DIMENSIONS: mm [INCHES]		CIK R PATTERSON 5/8/96	
TOLERANCES UNLESS OTHERWISE SPECIFIED:		APVO R PATTERSON 5/8/96	NAME
0 PLC ± - 1 PLC ± - 2 PLC ± 0.13[.005] 3 PLC ± - 4 PLC ± - ANGLES ± -		PRODUCT SPEC	PIN ASSEMBLY, EUROCARD, TYPE C WITH MFBL CONTACTS
MATERIAL SEE SHEET 1		FINISH SEE SHEET 1	APPLICATION SPEC
		WEIGHT	SIZE CASE CODE DRAWING NO. RESTRICTED TO
		CUSTOMER DRAWING	A1 00779 C=148123
		SCALE 5:1	SHEET 2 OF 2 REV U2