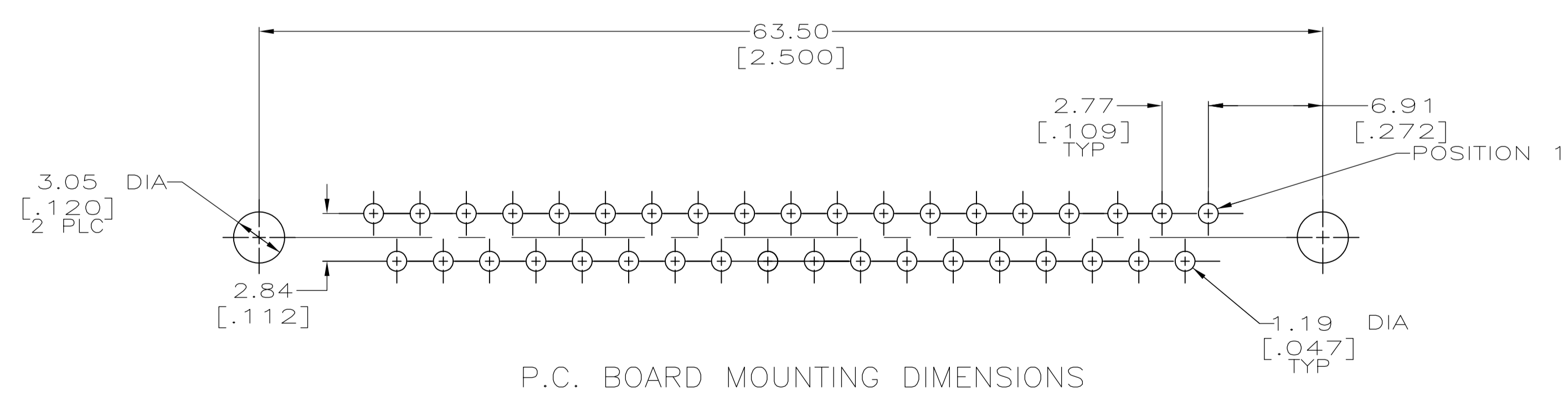
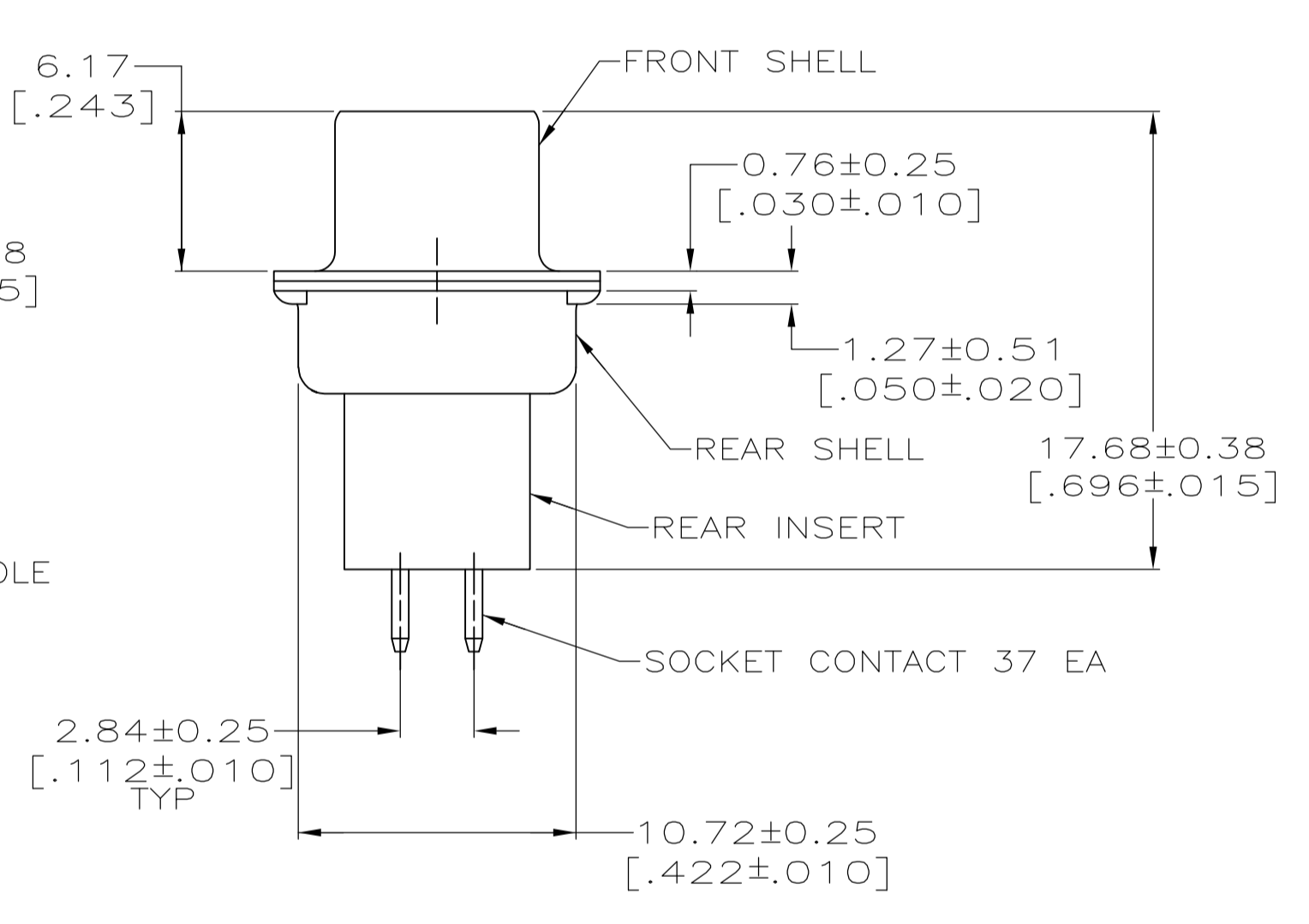
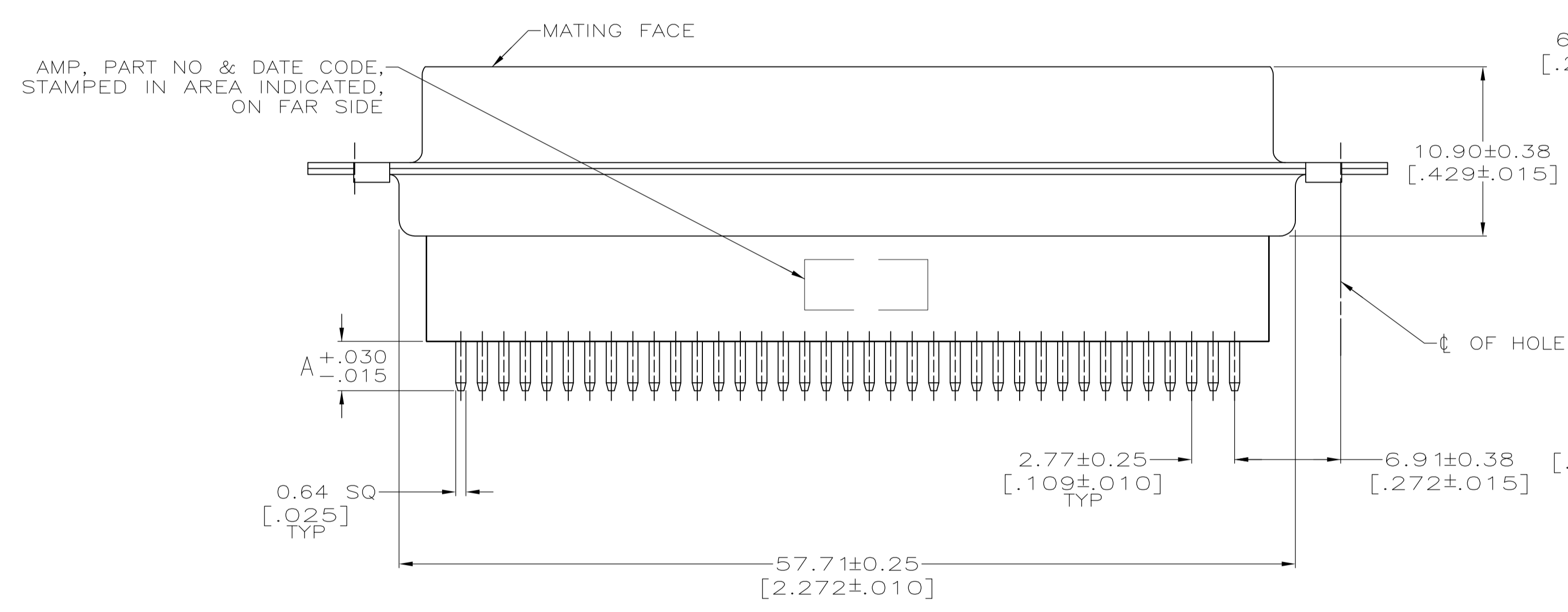


- ⚠ MOLDED PARTS: FLAME RETARDANT 94V-0 RATED THERMOPLASTIC; BLACK.  
SHELLS: CARBON STEEL.  
CONTACTS: PHOS BRONZE.
- ⚠ CONTACTS: 0.76µm [.000030] MIN GOLD ON MATING END, 2.54µm [.000100] MIN TIN OR TIN-LEAD ON OPPOSITE END, ALL OVER 1.27µm [.000050] MIN NICKEL.  
-OR-  
GOLD FLASH OVER PALLADIUM-NICKEL, 0.76µm [.000030] MIN TOTAL ON MATING END, 2.54µm [.000100] MIN TIN OR TIN-LEAD ON OPPOSITE END, ALL OVER 1.27µm [.000050] MIN NICKEL.
- ⚠ SHELLS: 5.08µm [.000200] MIN TIN OVER 2.54µm [.000100] MIN COPPER.



SUPSD BY 745189-7	-	-	745189-8
	⚠	4.78 [0.188]	745189-7
OBSOLETE	-	-	745189-6
SUPSD BY 205713-5	-	-	745189-5
SUPSD BY 745189-3	-	-	745189-4
SUPSD BY 745189-7	-	-	745189-3
SUPSD BY 745189-1	-	-	745189-2
OBSOLETE	⚠	3.18 [0.125]	745189-1

FINISH	DIM A	PART NUMBER
--------	-------	-------------

THIS DRAWING IS A CONTROLLED DOCUMENT.

DIMENSIONS: mm [INCHES]	TOLERANCES UNLESS OTHERWISE SPECIFIED:	0 PLC ± -	1 PLC ± -	2 PLC ± 0.13 [.005]	3 PLC ± -	4 PLC ± -	ANGLES ± °
-------------------------	--	-----------	-----------	---------------------	-----------	-----------	------------

DIN C. REIFSNYDER 07 AUG 95	APVD R. TAYLOR 23 AUG 95	NAME R. TAYLOR	RECEPTACLE ASSY, SIZE 4, 37 POS, VERTICAL, TM
CHK R. STONE 23 AUG 95	APPLN 108-40025	SIZE 114-40013	RESTRICTED TO
MATERIAL	FINISH	WEIGHT	CUSTOMER DRAWING

Scale: NTS, Sheet 1 of 1, Rev M