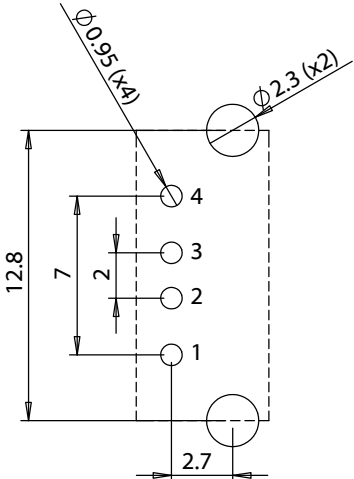
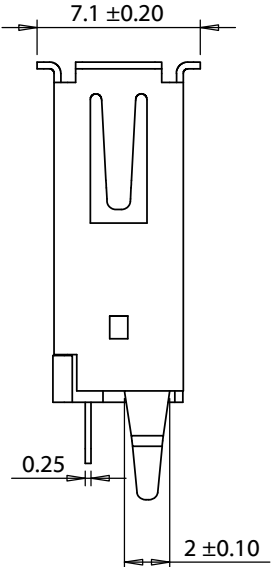
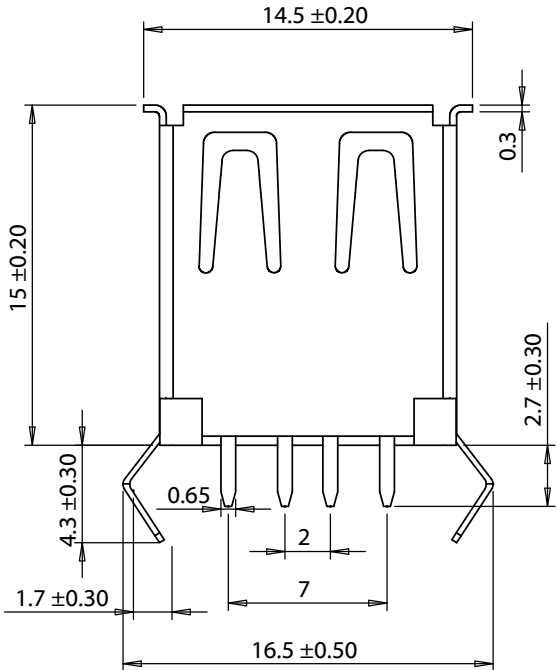
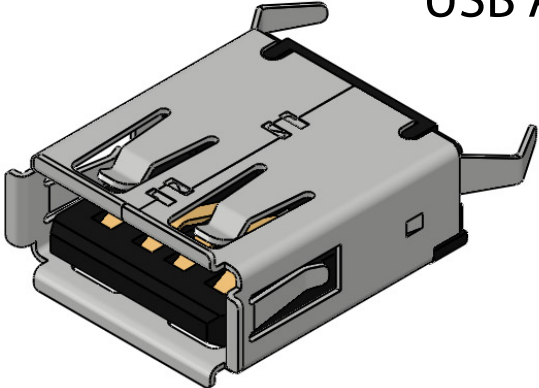
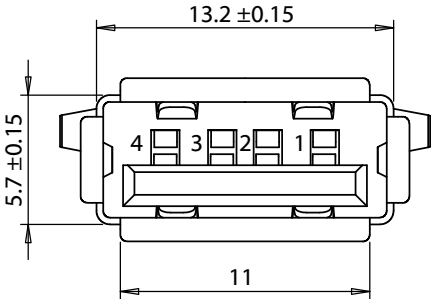


USB A jack 180° PCB mount



PCB Layout

DIMENSIONS ARE IN MILLIMETERS

TOLERANCES:
 Up to 1.0: ± 0.1 mm
 1.0 to 10.0: ± 0.2 mm
 Over 10.0: ± 0.3 mm

NOTES
 RoHS and REACH compliant
 Drawing in third angle projected

DESCRIPTION:
 Connector, USB A Jack, PCB mount, 180°, nickel shell, board lock, black insulator

TENSILITY

20802 Sockeye Place #130
 Bend, OR 97701 USA
 tel 541.323.3228 fax 541.323.4202
 800 877.670.7118 www.tensility.com

SIZE	PART NUMBER
A	54-00005
SCALE: 3:1	SHEET 1 OF 2

