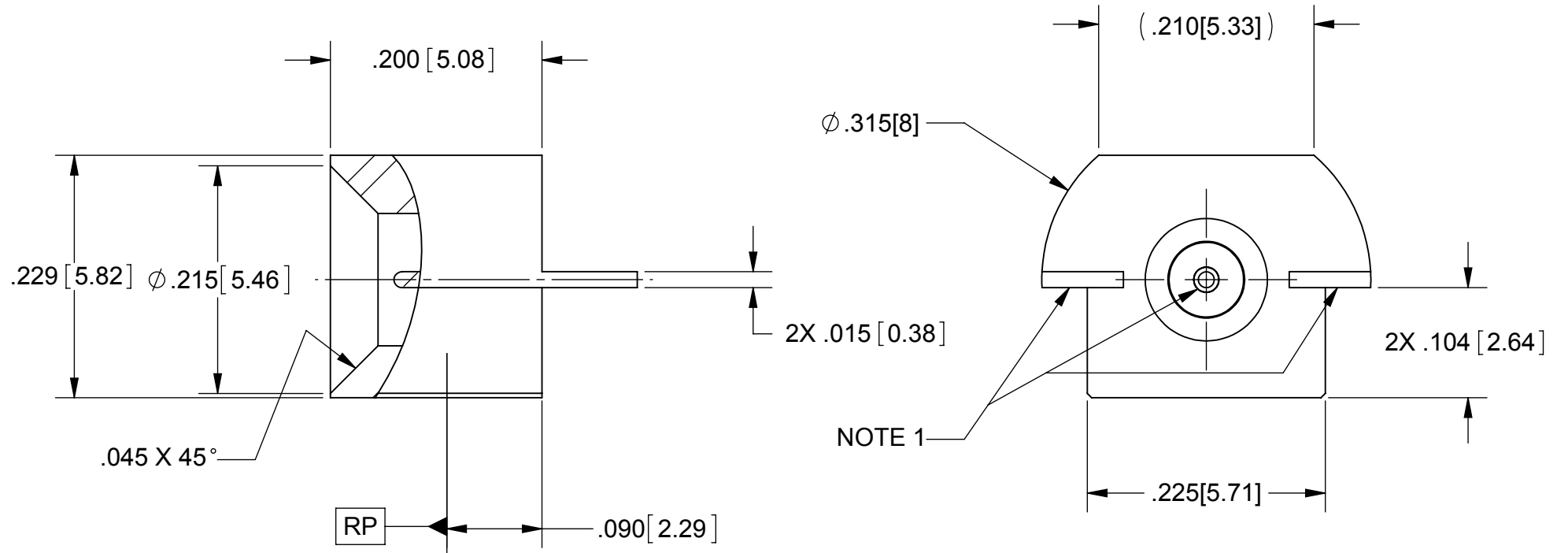
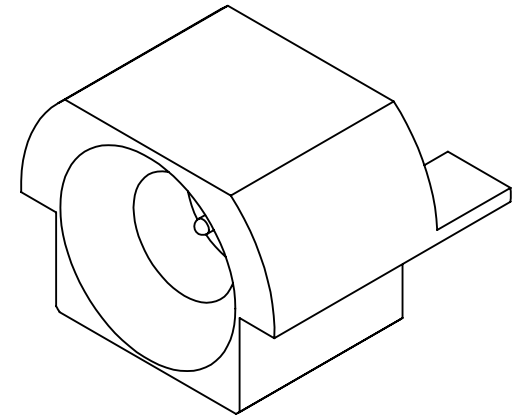
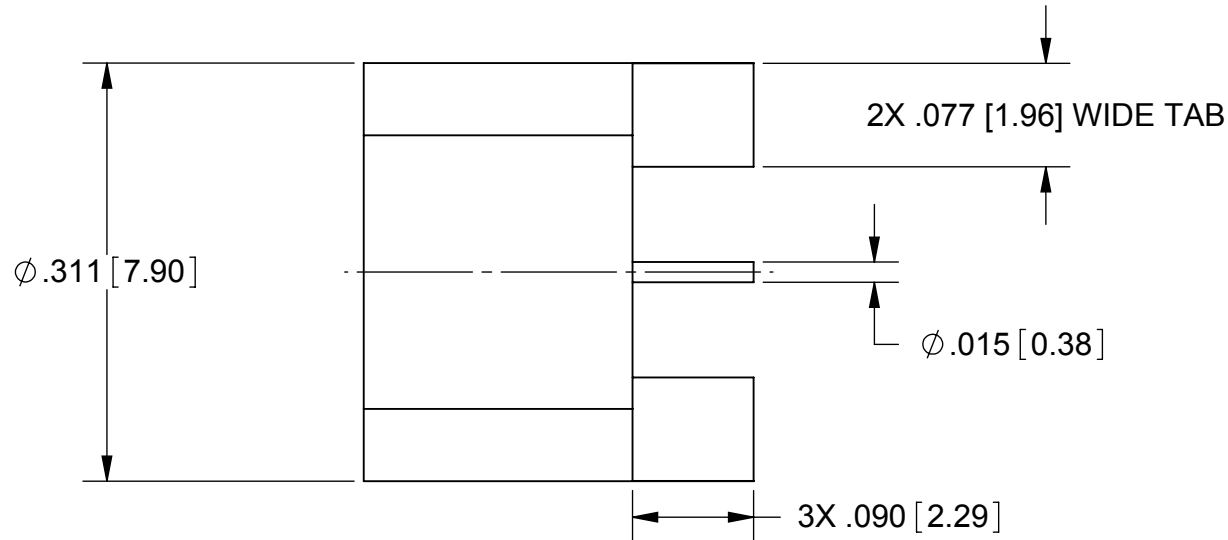
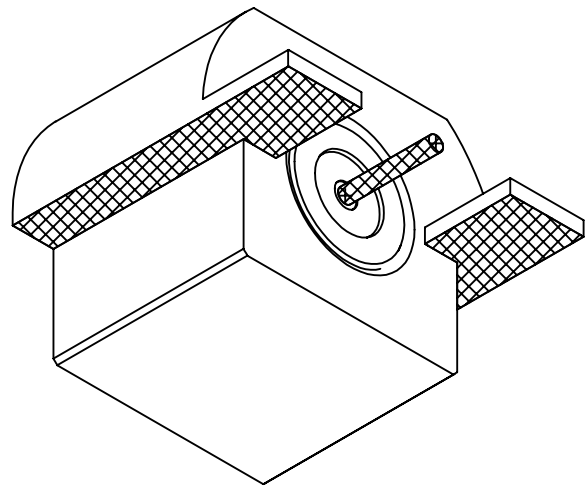


# PRODUCT DATA DRAWING

REVISION HISTORY			
REV	DESCRIPTION	DATE	APPROVED
-	DCN 42283	04/16	STW



## MATERIAL:

BODY: STAINLESS STEEL PER AMS-5640  
 CONTACT: BERYLLIUM COPPER PER ASTM B196  
 INSULATOR: PTFE PER ASTM D1710

## FINISH:

BODY & CONTACT: GOLD PER ASTM B488, TYPE II, CODE C, CLASS 1.27, OVER NICKEL PER AMS-QQ-N-290, CLASS 1, .00005" MIN.

## PERFORMANCE:

IMPEDANCE: 50 OHMS  
 FREQ. RANGE: DC TO 26.5 GHz  
 INSUL. RES.: 5000 MEGOHMS, MIN.

## NOTES:

- CENTER PIN, POSTS, AND CONNECTOR PCB MOUNT AREA TO BE PRE-TINNED USING Sn96 SOLDER.
- ALL DIMENSIONS APPLY PRIOR TO PRE-TINNING.

MATERIAL: PER BOM	DIMENSIONS ARE IN INCHES TOLERANCES: FRACTIONAL: ±1/64 ANGULAR: X° ±1'0" DECIMAL: .X ±.030 .XX ±.010 .XXX ±.005	UNLESS OTHERWISE SPECIFIED 1) ALL DIMENSIONS ARE AFTER PLATING. 2) BREAK CORNERS & EDGES .005 R. MAX. 3) CHAM. 1ST & LAST THREADS. 4) SURFACE ROUGHNESS 63 √MIL-STD-10. 5) DIA.'S ON COMMON CENTERS TO BE CONCENTRIC WITHIN .005 T.I.R. 6) REMOVE ALL BURRS	<b>SV Microwave, Inc.</b> 2400 Centrepark West Drive, Suite 100 West Palm Beach, FL 33409 TITLE: SMP MALE STRAIGHT PCB EDGE MOUNT CATCHER'S MITT
FINISH: PER BOM	INTERPRET DIMENSIONS AND TOLERANCES PER ASME Y14.5M - 1994	DRAWN: MAL 04/26/16 CHECKED: STW 04/26/16 APPROVED: STW 04/26/16 E.M. SIMULATION: N/A	
PROPRIETARY THE INFORMATION CONTAINED IN THIS DRAWING IS THE SOLE PROPERTY OF SV MICROWAVE, INC. ANY REPRODUCTION IN PART OR AS A WHOLE WITHOUT THE WRITTEN PERMISSION OF SV MICROWAVE, INC IS PROHIBITED.			DWG. NO. 1211-66175 SCALE: 7:1 SHEET 1 OF 1