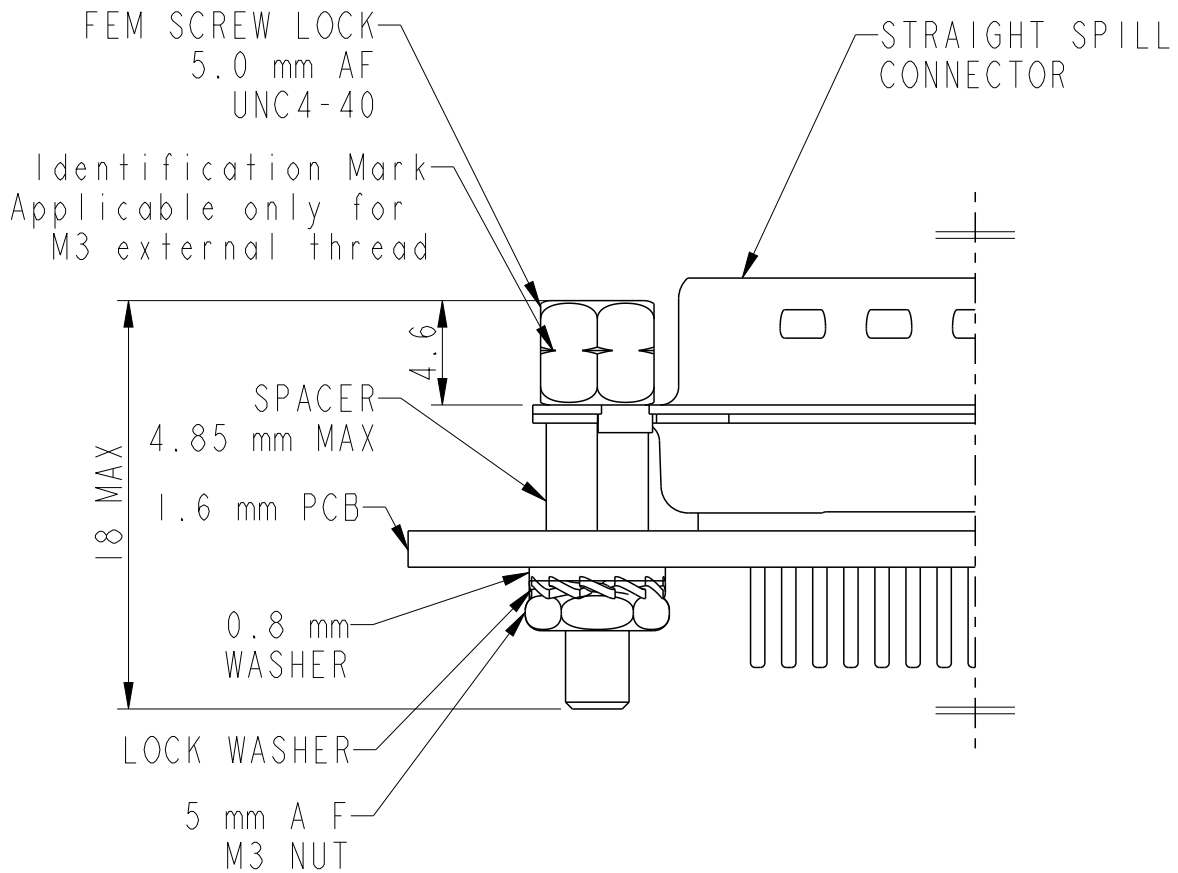


EXTENDED FEMALE SCREW AND SPACER FOR STRAIGHT SPILL MOUNTING



Supercedes C-DSUB-008, C-DSUB-0021 and C4-1433

rev	ecn no	dr	date
A	110-0057	AMR	2010-02-22
B	111-0001	AMR	2011-01-03
C	111-0033	AMR	2011-02-14
D	111-0076	AMR	2011-04-27
E	ELX-1-15893	MP	2013-09-20
-	-	-	-
-	-	-	-

Part Numbers:

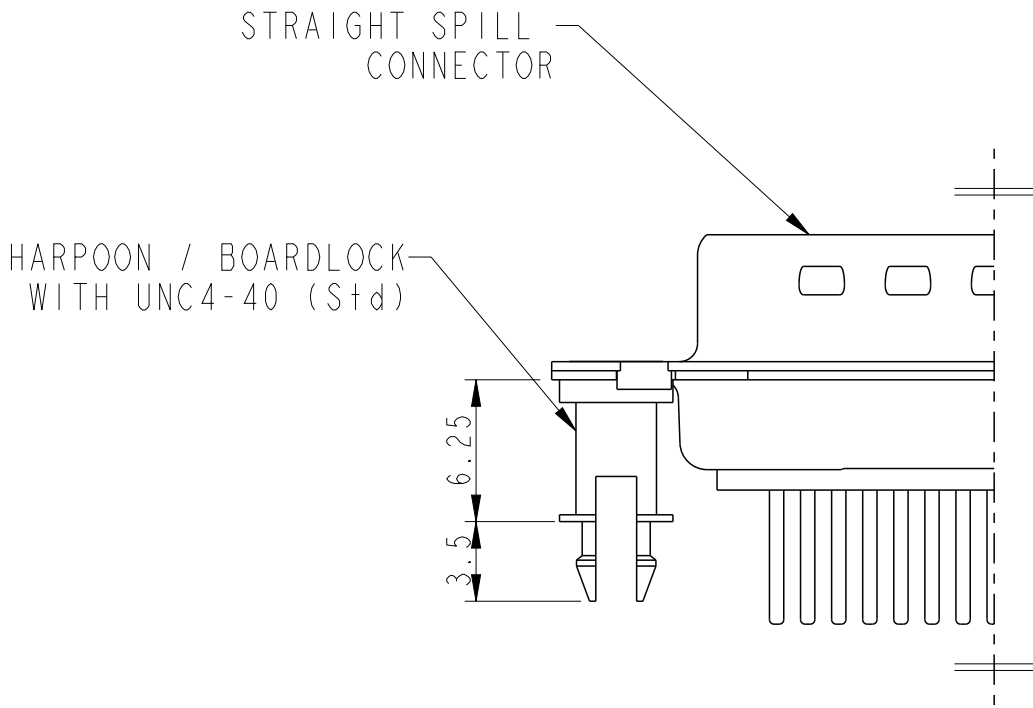
863001062
863001062LF

Copyright FCI.

www.fciconnect.com		surface - <input checked="" type="checkbox"/> ISO 1302	tolerance std ISO 406 ISO 1101	projection 	mm
TOLERANCES UNLESS OTHERWISE SPECIFIED					
Dr	ABHILASH	2010-02-22	ANGULAR	0.X	±0.1
Eng	MITHUN PAUL	2013-09-20	LINEAR	0.XX	±0.1
Chr	MITHUN PAUL	2013-09-20	0° ±°	0.XXX	±0.05
Appr	BIJU K PAUL	2013-09-20	Product family	D-SUB	Spec ref -
	title D-SUB ASSEMBLY OPTIONS			dwg no C-DSUB-0184	
	catalog no -	CUSTOMER		sheet 1 of 2	

REV F - 2006-04-17

HARPOON / BOARDLOCK RIVETED TO SHELL



SUFFIX "G"
 APPLICABLE ONLY FOR STRAIGHT SPILL CONNECTOR

Supercedes C-DSUB-008, C-DSUB-0021 and C4-1433



Copyright FCI.

www.fciconnect.com			surface - ✓ ISO 1302		tolerance std ISO 406 ISO 1101		projection 		mm 			
			TOLERANCES UNLESS OTHERWISE SPECIFIED									
Dr	ABHILASH	2010-02-22	ANGULAR	LINEAR	0.X	±0.1	size A4	ECN	Scale 3:1			
Eng	MITHUN PAUL	2013-09-20			0.XX	±0.1			ELX-1-15893			
Chr	MITHUN PAUL	2013-09-20	0° ±°		0.XXX	±0.05	Spec ref	-				
Appr	BIJU K PAUL	2013-09-20	Product family				D-SUB	-				
		title D-SUB ASSEMBLY OPTIONS				dwg no C-DSUB-0184			Rev. E			
		catalog no -				CUSTOMER			sheet 2 of 2			

REV F - 2006-04-17