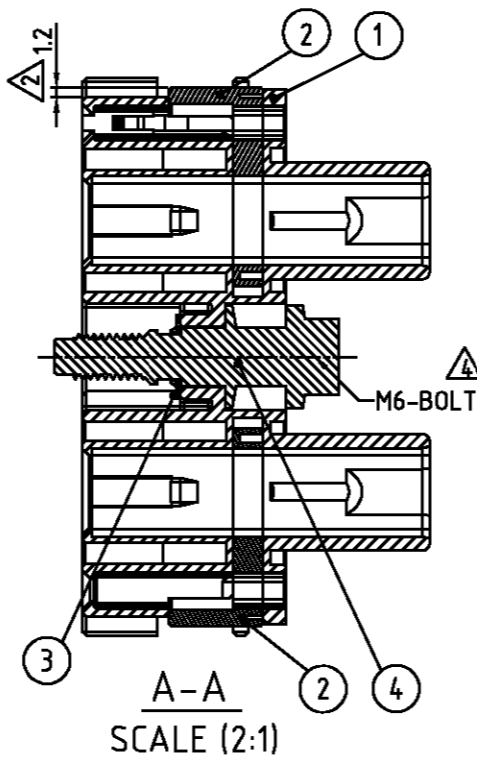
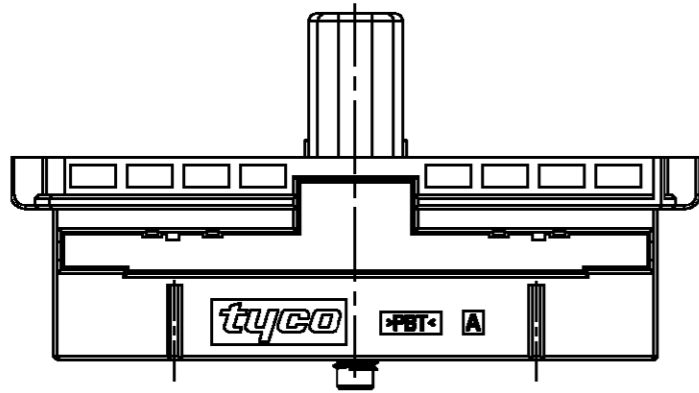
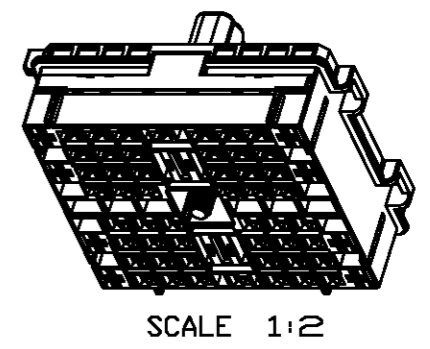


LOC	DIST	REVISIONS					
		P	LTR	DESCRIPTION	DATE	DWN	APVD
DS		A		RELEASED	10/NOV/05	YH	JK
		B		REVISED (ECR-06-030161)	28/MAY/07	DH	JK

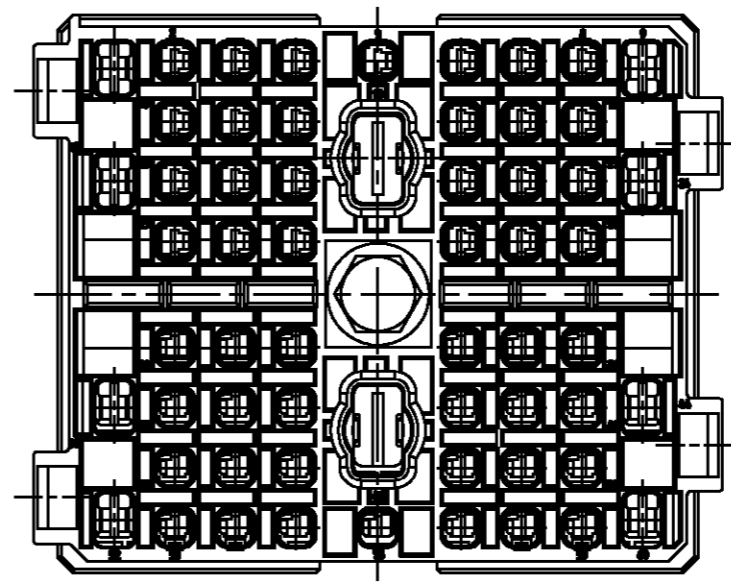
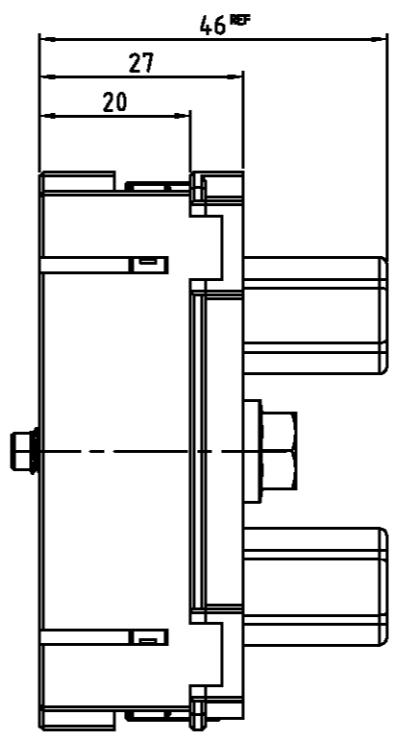
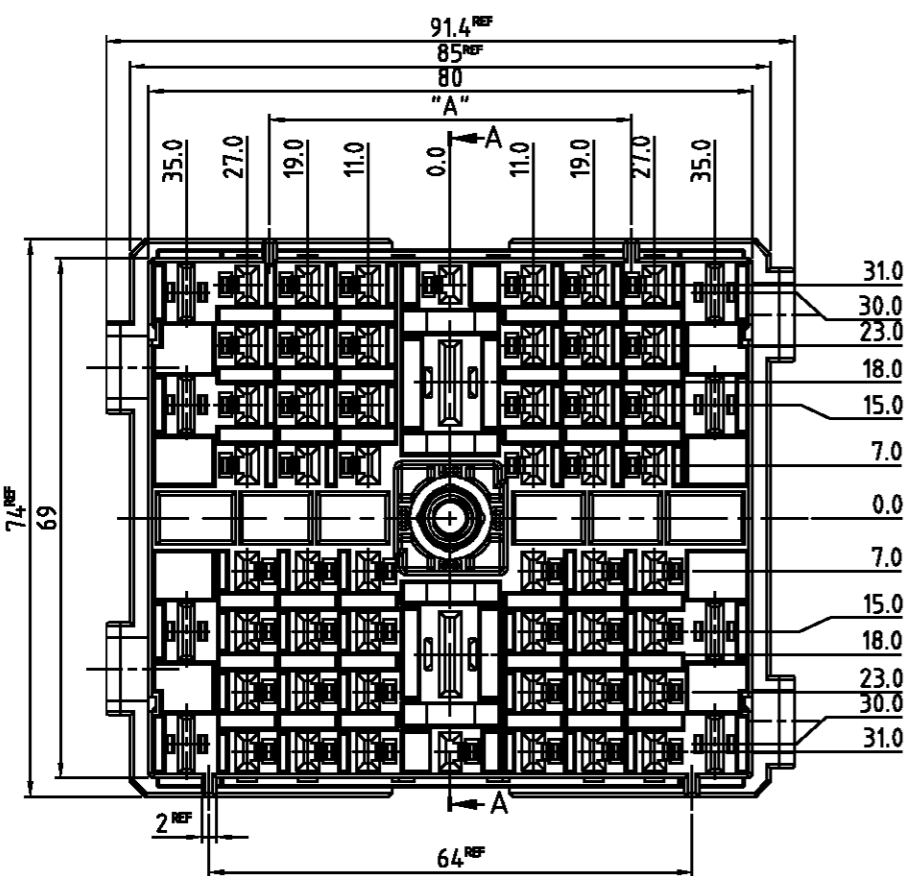


60P HYBRIDE PLUG KEY CODE.

P/N	"A"	COLOR	MATERIAL
0-1743134-2	56	BLACK	PBT
1-1743134-3	48	GRAY	PBT



NOTE:
 1. GENERAL TOLERANCE IS $\pm 0.3, \pm 3^\circ$
 2. CONDITION OF DELIVERY : DBL PLATE PRE-ASSEMBLED POSITION
 3. APPLIED RECEPTACLE CONTACT P/N:



	PART No.	WIRE SIZE(mm)
MCP-E	0-1743162-1	0.3 0.85mm ²
	0-1743163-1	1.25 2.0mm ²
MCP 6.3	0-124.1400-1	0.2 0.5mm ²
	0-124.1402-1	0.5 1.0mm ²
	0-124.1404-1	1.0 2.5mm ²
	0-124.1406-1	2.5 4.0mm ²
MCP 9.5	0-124.1408-1	4.0 6.0mm ²
	1-967588-1	6.0 10.0mm ²
	1-967589-1	10.0 16.0mm ²

Torque spec 0.8-1.0 Kgf.m

QTY	NAME	COLOR	MATERIAL	ASSY P/N	
				1-1743134-3	0-1743134-2
4	M6 BOLT	-	SWCH10A	1	1
3	STOPER RING	-	SK-5	1	1
2	DBL	NATURAL	PBT	2	2
1	PLUG	GRAY	PBT	1	•
		BLACK	PBT	•	1
	NAME	COLOR	MATERIAL	Q'TY	

THIS DRAWING IS A CONTROLLED DOCUMENT FOR TYCO ELECTRONICS CORPORATION IT IS SUBJECT TO CHANGE AND THE CONTROLLING ENGINEERING ORGANIZATION SHOULD BE CONTACTED FOR THE LATEST REVISION.

DIMENSIONS: mm	TOLERANCES UNLESS OTHERWISE SPECIFIED: SEE NOTE	DWN DH PARK CHK YJ YOUN APVD JK SONG PRODUCT SPEC -		
3rd ANGLE PROJECTION	FINISH	APPLICATION SPEC -	AMP KOREA. kyungsan, korea	
MATERIAL SEE TABLE		WEIGHT -	HYBRID 60P PLUG ASS'Y (BOLT TYPE)	
		CUSTOMER DRAWING	SIZE A3	CAGE CODE 00779
			DRAWING NO 1743134	RESTRICTED TO
			SCALE 1/1	SHEET 1 OF 1 REV B