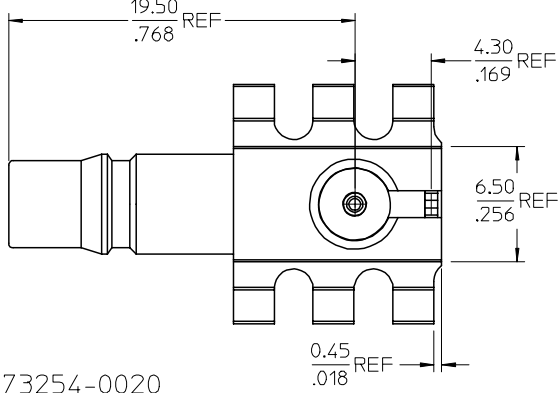
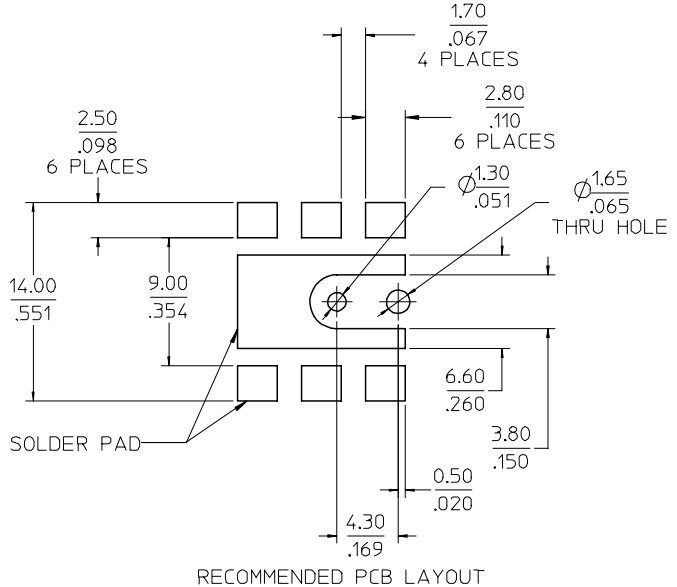
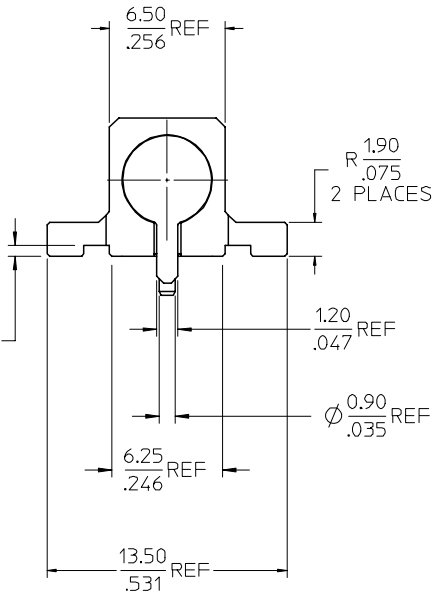
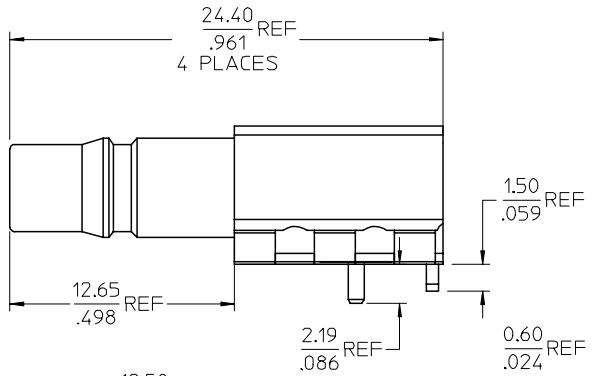
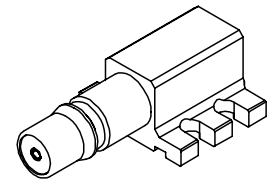


MATERIALS AND FINISHES:
 BODY, CAP: BRASS
 PLATED GOLD
 INSULATOR: TEFLON
 CENTER CONTACT: BERYLLIUM COPPER
 PLATED GOLD



PART # 73254-0020

73254-0021	P/N 73254-0020, ONE IN BAG
PART NO.	PACKAGING

CHG: UPDATED VIEWS OF REVISED BODY & INSULATOR.
 EC NO: URF2008-0009
 DRAWN: ARROBERTSON 2007/07/06
 CHKD: 2007/07/06
 APPR: JIMENER 2007/07/06
 B2

GENERAL TOLERANCES (UNLESS SPECIFIED)		DIMENSION STYLE		SCALE	DESIGN UNITS	THIRD ANGLE PROJECTION
mm	INCH	MM/IN	DATE	METRIC		
4 PLACES ± .005	± .0005	TEF	2003/03/17			
3 PLACES ± .005	± .0005					
2 PLACES ± .005	± .0005	SSS	2003/03/17			
1 PLACE ± .005	± .0005					
ANGULAR ± 2 °		GMH	2003/03/17			

DRAWN BY DATE		TITLE	
TEF	2003/03/17	QMA JACK, R/A PCB EWR-1960, 50 OHMS QMA-J/PCB	
CHECKED BY DATE		MATERIAL NO.	
SSS	2003/03/17	SD-73254-002	
APPROVED BY DATE		DOCUMENT NO.	
GMH	2003/03/17	SD-73254-002	
MATERIAL NO.		SHEET NO.	
SD-73254-002		1 OF 1	

DRAFT WHERE APPLICABLE MUST REMAIN WITHIN DIMENSIONS
 THIS DRAWING CONTAINS INFORMATION THAT IS PROPRIETARY TO MOLEX INCORPORATED AND SHOULD NOT BE USED WITHOUT WRITTEN PERMISSION