

5

4

3

2

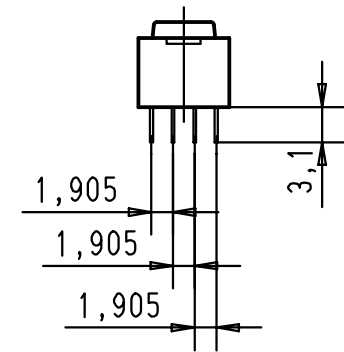
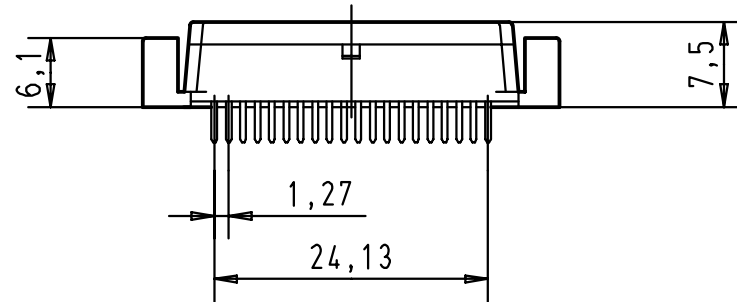
1

D

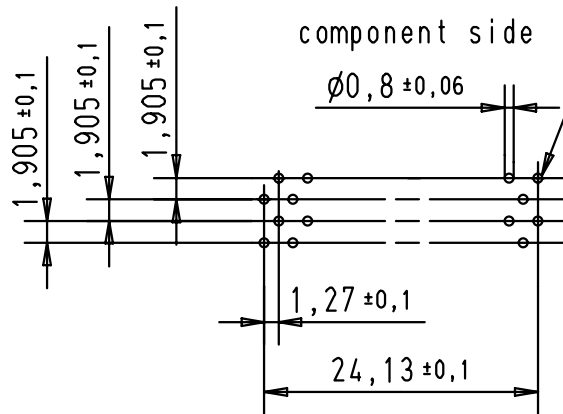
C

B

A

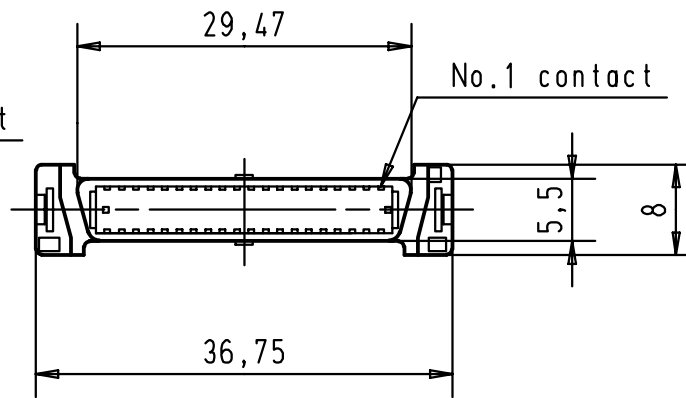


Printed Board Layout
component side

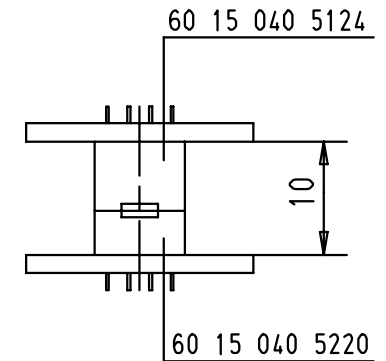


No.1 contact

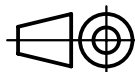

∅0,8 ± 0.06



No.1 contact



Printed Boards distance

						 All Dim. in mm Orig. Size DIN A 4	har.mik [®] board to board/bellow 40 poles stackable female connector with straight solder pins	Maßstab/ Scale 1,5:1
			Detail.	30-AUG-00	JB			
			Insp.					
			Stand.					
27941	30-AUG-00	JB	HARTING EURL F-95972 Paris				TB 60 15 040 5124	Blatt/ Page 1 / 1
Mod.	Dat.	Name						