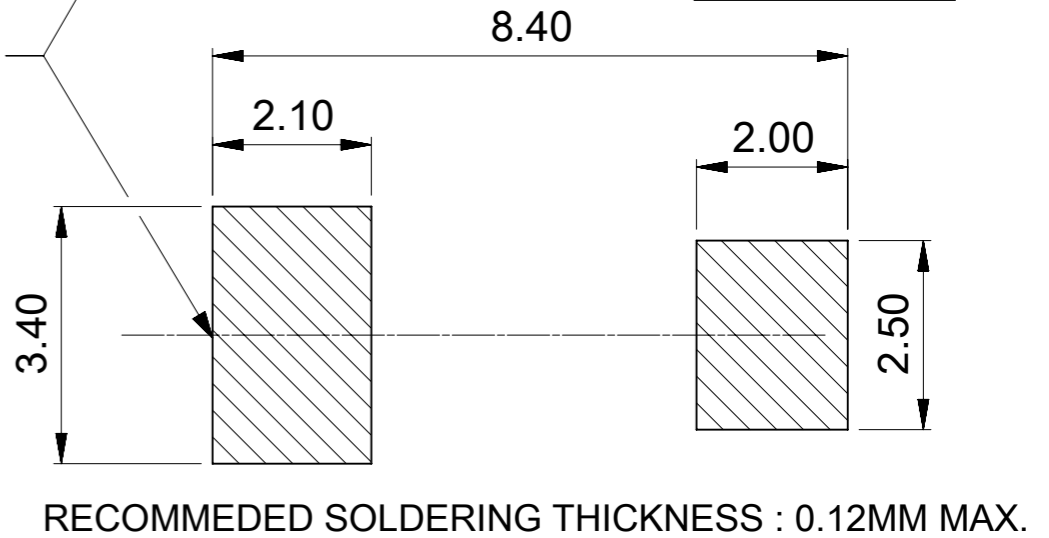
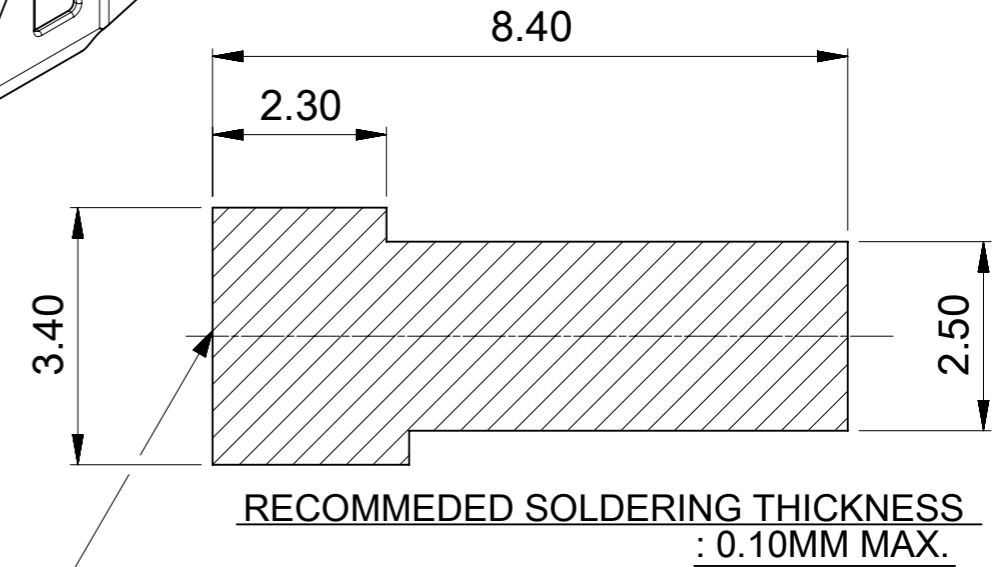


TRADE MARK (MK1)

THE DIRECTION OF WIRE INSERTING

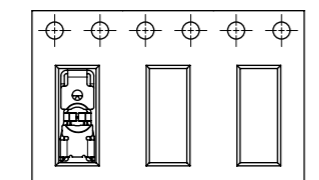
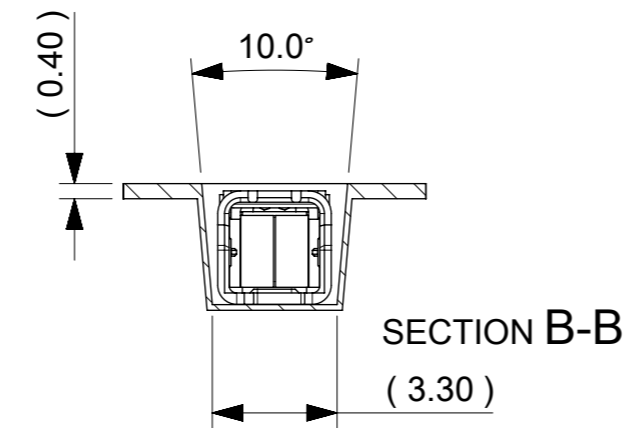
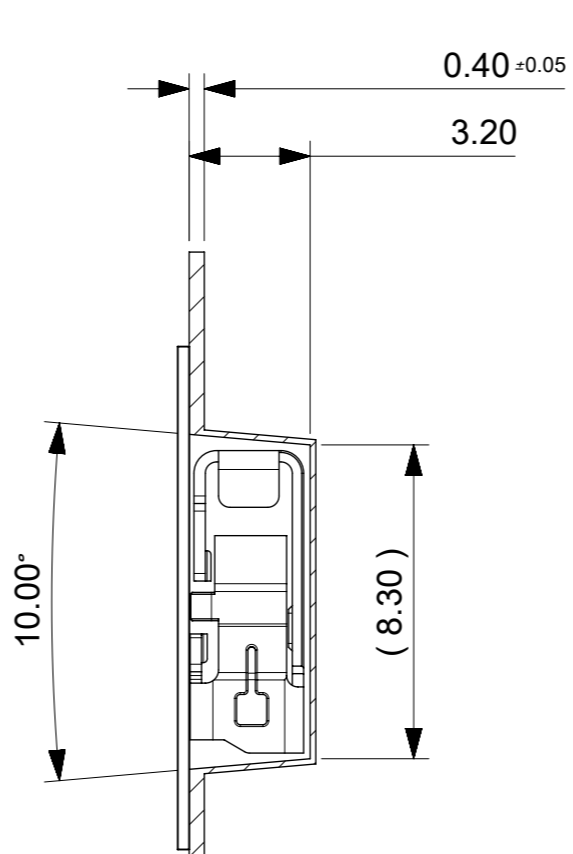
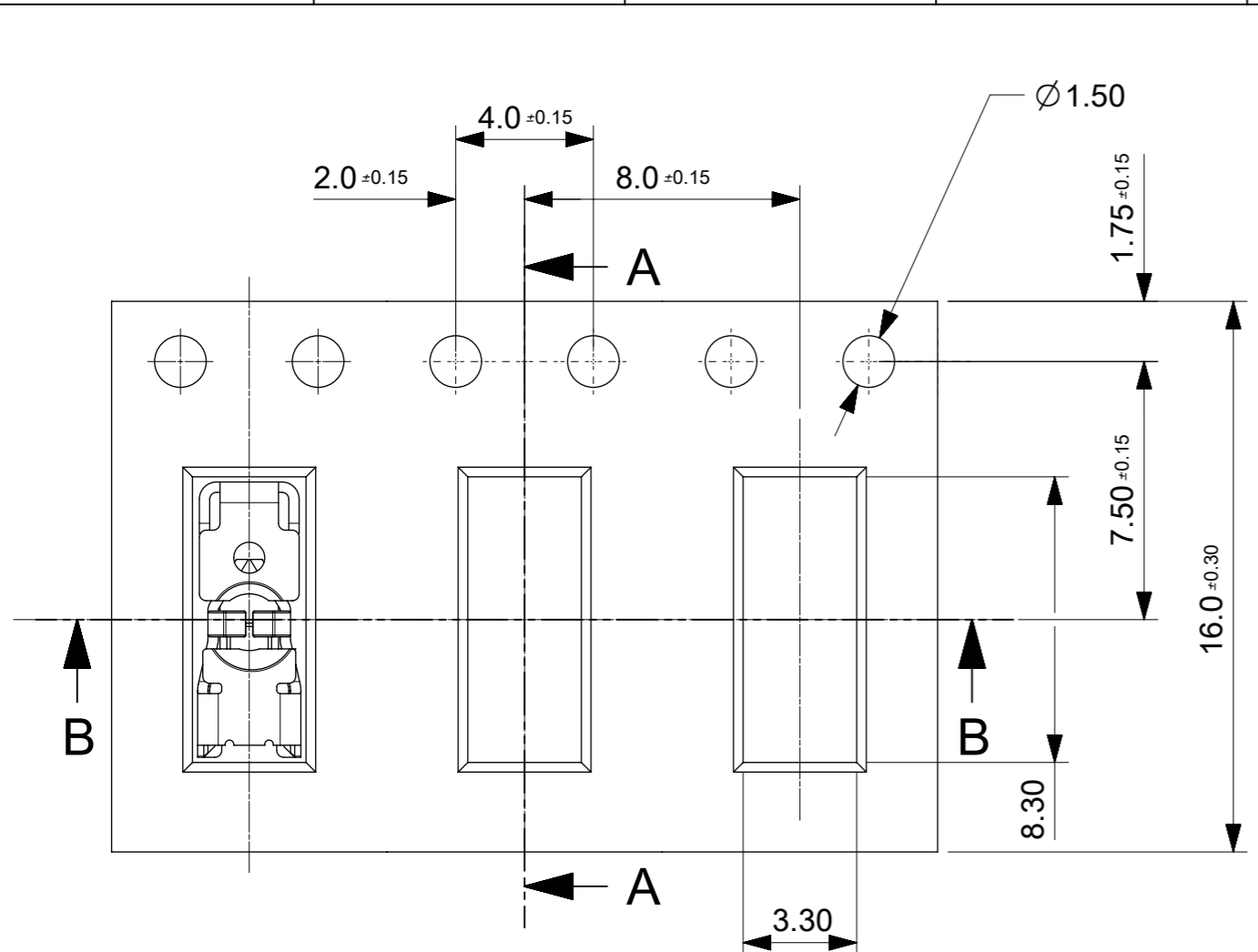


**RECOMMENDED PCB LAYOUT(2 TYPE)**  
**[GENERAL TOLERANCE : ±0.05]**  
**(SCALE=10:1)**

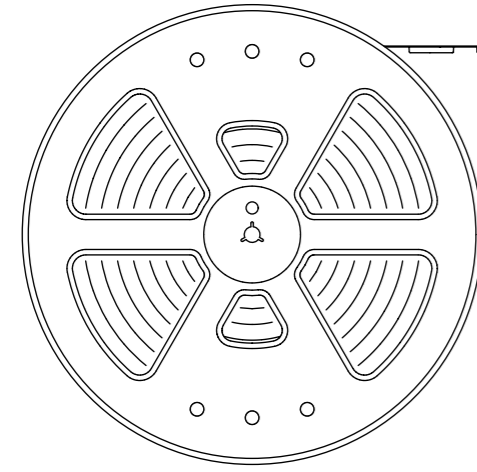
**NOTES**

1. MATERIAL : COPPERALLOY,0.3mm THICKNESS
2. FINISH : TIN PLATED
3. COPLANALITY OF SOLDER AREA(PEAK TEMP.: 260°C):  
BEFORE & AFTER REFLOW : 0.08mm MAX.
4. APPLICABLE WIRE RANGE:  
(SEE PRDOCTSPECIFICATION FOR MORE DETAILS)  
MAX.INSULATION O.D : 2.1mm DIAMETER MAX.  
WIRE STRIP LENGTH : 5.5±0.5mm  
- SOLIDE WIRE : AWG#24~#18  
- STRAND WIRE(TIN DIPPED) : AWG#22~#20

SYMBOLS		THIS DRAWING CONTAINS INFORMATION THAT IS PROPRIETARY TO MOLEX ELECTRONIC TECHNOLOGIES, LLC AND SHOULD NOT BE USED WITHOUT WRITTEN PERMISSION		CURRENT REV DESC:		<b>molex</b>	
▽ = 0	mm	SCALE	10:1	EC NO: 114421			
▽ = 0	GENERAL TOLERANCES (UNLESS SPECIFIED)		DRWN: JBJIN		2018/02/19	PRODUCT CUSTOMER DRAWING	
▽ = 0	ANGULAR TOL ± °		CHK'D: SHCHU		2018/02/26	DOCUMENT NUMBER	
▽ = 0	4 PLACES	±	APPR: YSKIM02		2018/02/26	DOC TYPE	
▽ = 0	3 PLACES	± 0.15	INITIAL REVISION:		DOC PART		REVISION
▽ = 0	2 PLACES	± 0.15	DRWN: JBJIN		2018/02/19	2038638103	
▽ = 0	1 PLACE	± 0.2	APPR: YSKIM02		2018/02/26	PSD	
▽ = 0	0 PLACES	± 0.2	THIRD ANGLE PROJECTION		DRAWING		001
□ = 0	DRAFT WHERE APPLICABLE MUST REMAIN WITHIN DIMENSIONS		DRAWING		SERIES		A
▽ = 0			A3-SIZE		MATERIAL NUMBER		
				203863		CUSTOMER	
						SHEET NUMBER	
						1 OF 1	



PULL OUT DIRECTION



PLASTIC BOBBIN

**NOTES**

- NUMBER OF CONNECTORS : 3,450 PCS/REEL.
  - LEAD TAPE LENGTH.  
TOP TAPE NON-BONDED PART. TOP TAPE BONDED PART.
- 
- PEEL-OFF FORCE OF TOP TAPE :  $0.6 \pm 0.35N$  ( $60 \pm 35gf$ )  
(PEELING DIRECTION AS SHOWN IN FOLLOWING FIG.)  
<PEEL-OFF SPEED : 300mm/min (REF.)>
- 
- FLASH IN ANY PORTION SHOULD BE LESS THAN 0.20mm MAX.
  - UNLESS OTHERWISE SPECIFIED INNER RADIUS IS 0.20mm MAX.

[TABLE]

MATERIAL NO.	CONNECTOR		TAPE WIDTH	EMBOSS TAPE NO.
	NO.	COLOR		
2038638103			16.0mm	203863-9001
	203863-8103	NATURAL		

SYMBOLS	THIS DRAWING CONTAINS INFORMATION THAT IS PROPRIETARY TO MOLEX ELECTRONIC TECHNOLOGIES, LLC AND SHOULD NOT BE USED WITHOUT WRITTEN PERMISSION	CURRENT REV DESC:		<b>molex</b>			
	DIMENSION UNITS: mm SCALE: 5:1 GENERAL TOLERANCES (UNLESS SPECIFIED): ANGULAR TOL: ± 4.0° 4 PLACES: ± 3 PLACES: ± 2 PLACES: ± 0.2 1 PLACE: ± 0.2 0 PLACES: ± 0.2 DRAFT WHERE APPLICABLE MUST REMAIN WITHIN DIMENSIONS	EC NO: 114421 DRWN: JBJIN 2018/02/20 CHK'D: SHCHU 2018/02/26 APPR: YSKIM02 2018/02/26					LITE TRAP CONTACT TERMINAL EMBOSS TAPE
INITIAL REVISION: DRWN: JBJIN 2018/02/20 APPR: YSKIM02 2018/02/26				PRODUCT CUSTOMER DRAWING			
THIRD ANGLE PROJECTION DRAWING: A3-SIZE SERIES: 203863				DOCUMENT NUMBER: 2038638103	DOC TYPE: PSD	DOC PART: 002	REVISION: A
MATERIAL NUMBER: 2038638103 CUSTOMER:				SHEET NUMBER: 1 OF 1			