

Product Overview



LEDs		
Ready	Blink	System operating correctly
	OFF or Solid ON	Not operating correctly or not ready
Ethernet	ON	Ethernet Port is connected
	Blink	Data is being transmitted or received
Serial	ON and "Ready" LED is Blinking	Serial port is available
	Blink	Data is being transmitted or received
	ON but "Ready" LED is OFF	Device is in Console Mode

1 | Set Up Hardware

1. Connect RJ45 first. DHCP is enabled by default.
2. Power the device.
3. Connect the Serial Device.
RS-232 with DB9: straight-through for DCE device. Null modem for DTE device.
RS-422/485 with terminal blocks.

2 | Install/Setup

1. Use included CD to install Vlinx Serial Server Manager. If Autorun does not start, go to "My Computer" and select the CD drive. You will see a Vlinx VESR icon. Double-click it to launch the installation.
2. Click "Login". Password is blank from factory. No password is necessary to operate the VESR unit. The Configuration/General page appears.

3 | Set Up Network

"I want DHCP" is preselected to set up the network using dynamic IP addressing. The Gateway is set up at the factory to receive an IP assignment from a DHCP Server.

1. If a DHCP Server is not available on your network, it will default to 169.254.102.39.
2. If a DHCP server is not available and the default address does not work on your PC, change your PC network settings to IP Address: 169.254.102.1, Subnet Mask: 255.255.0.0, Default Gateway: 169.254.102.100.

4 | Setting Up Your Device

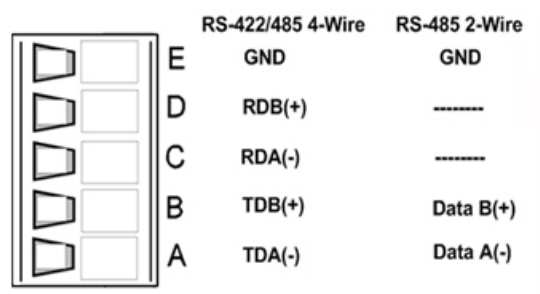
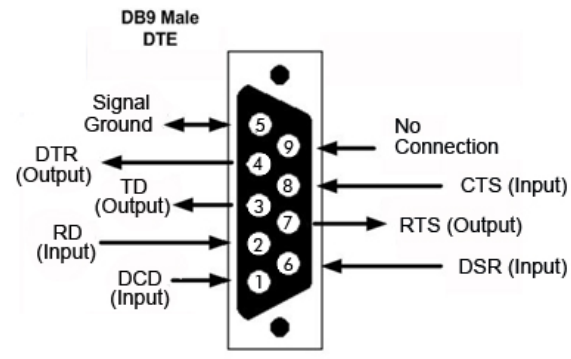
1. Port Settings: Four configurations are available: TCP, UDP, VCOM Mode and Paired Mode. TCP is the most common choice, and will be briefly described below. (Paired Mode uses the same settings as TCP.) Detailed information about UDP and VCOM Mode may be found in the User's Manual.
2. TCP Port Settings:
 - Choose "TCP".
 - Choose either "server" or "client."
 - Enter the port number on which you want to "wait for connections."
 - Enter the maximum number of desired connections.
 - Specify who is permitted to connect.

Depending on the Mode Selected there may be Advanced functions available. Option is grayed out for VCom Mode.

5 | Set Up Serial Port

Note: Serial Settings are grayed out when VCom Mode is selected.

1. Change the Description of the serial port if needed.
2. Set the Mode to RS-232, RS-422 (4 wire), RS-485 (2 wire) or RS-485 (4 wire).
3. Set the Baud Rate to control the speed of the port. Valid rates range between 75 and 230.4k bits per second.
4. Set Data Bits. Options are from 5 to 8 Data Bits. 8 is most common and is the default.
5. Set Stop Bits. Stop Bits controls the number of bits for end of character.
6. Parity controls the error checking mode, with options of No Parity, Odd, Even, Mark and Space.
7. "Flow Control" options are Hardware or Software or None. Hardware is used for RS-232 only



Troubleshooting

The primary check for correct operation is the device LEDs.

For advanced setup information see the “HELP” section on the right hand side of each page within the Vlinx Manager.

Select Diagnostic for a check of communications status with attached VESP211 device, and then select the device for which the communications check is desired. A report of reply times and ping statistics is generated and can be saved.


Note that you can send your configuration files to B+B Tech Support for review.

Reset Mode Switch

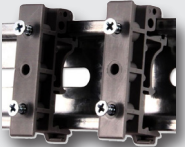
Mode Switch Action	Result
Press and Hold in for 0 - 2 seconds	Device enters Console Mode. The “Ready” LED turns OFF and the “Serial” LED turns ON
Press and Hold in for more than 10 seconds	Reloads Factory Defaults. After 10 seconds, both the “Serial” and “Ready” LEDs turn ON

Recommended Accessories

232NM9
Null Modem Crossover Cable for DTE to DTE connection



DRAD35
Din Rail Mounting Kit 35mm



B+B SMARTWORX

Powered by

ADVANTECH

1-888-948-2248 | Europe: +353 91 792444

advantech-bb.com

707 Dayton Road | PO Box 1040 | Ottawa, IL 61350

Phone: 815-433-5100 | Fax: 815-433-5109

www.advantech-bb.com | E-mail: support@advantech-bb.com

+ QUICK START GUIDE



VESP211 Series

Ultra Compact
Ethernet to Serial Servers

Before you begin, be sure you have the following:

- + VESP211
- + CD with software and manuals
- + Power Supply

Additional items not included:

- + Ethernet Cable(s)
- + Null modem cable(s)
- + Mounting accessories kit

B+B SMARTWORX

Powered by

ADVANTECH