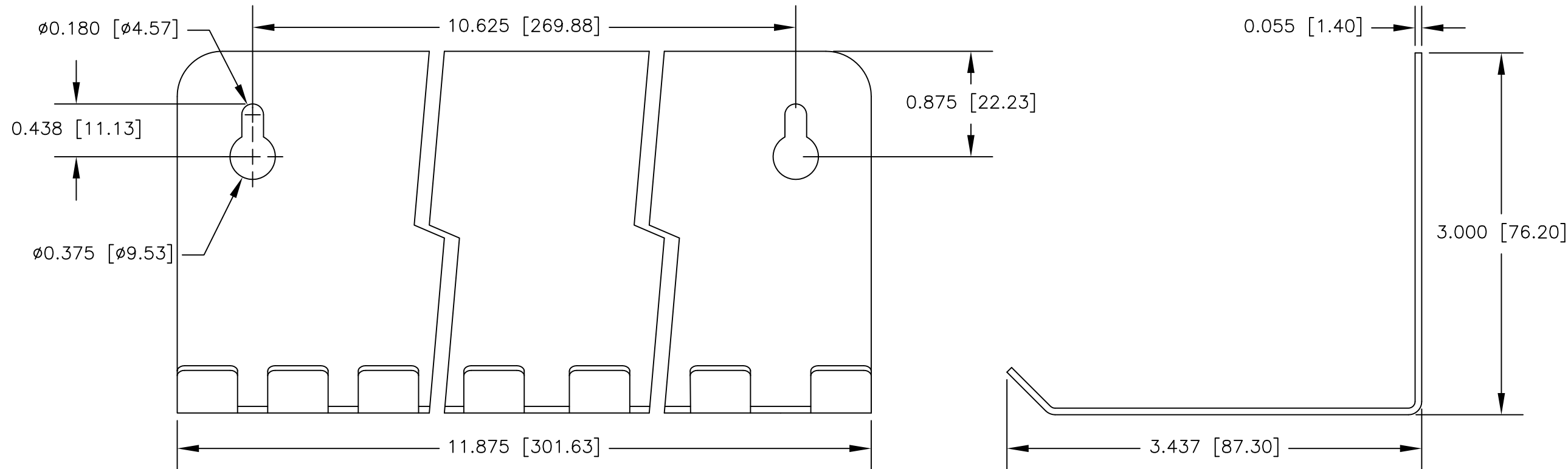
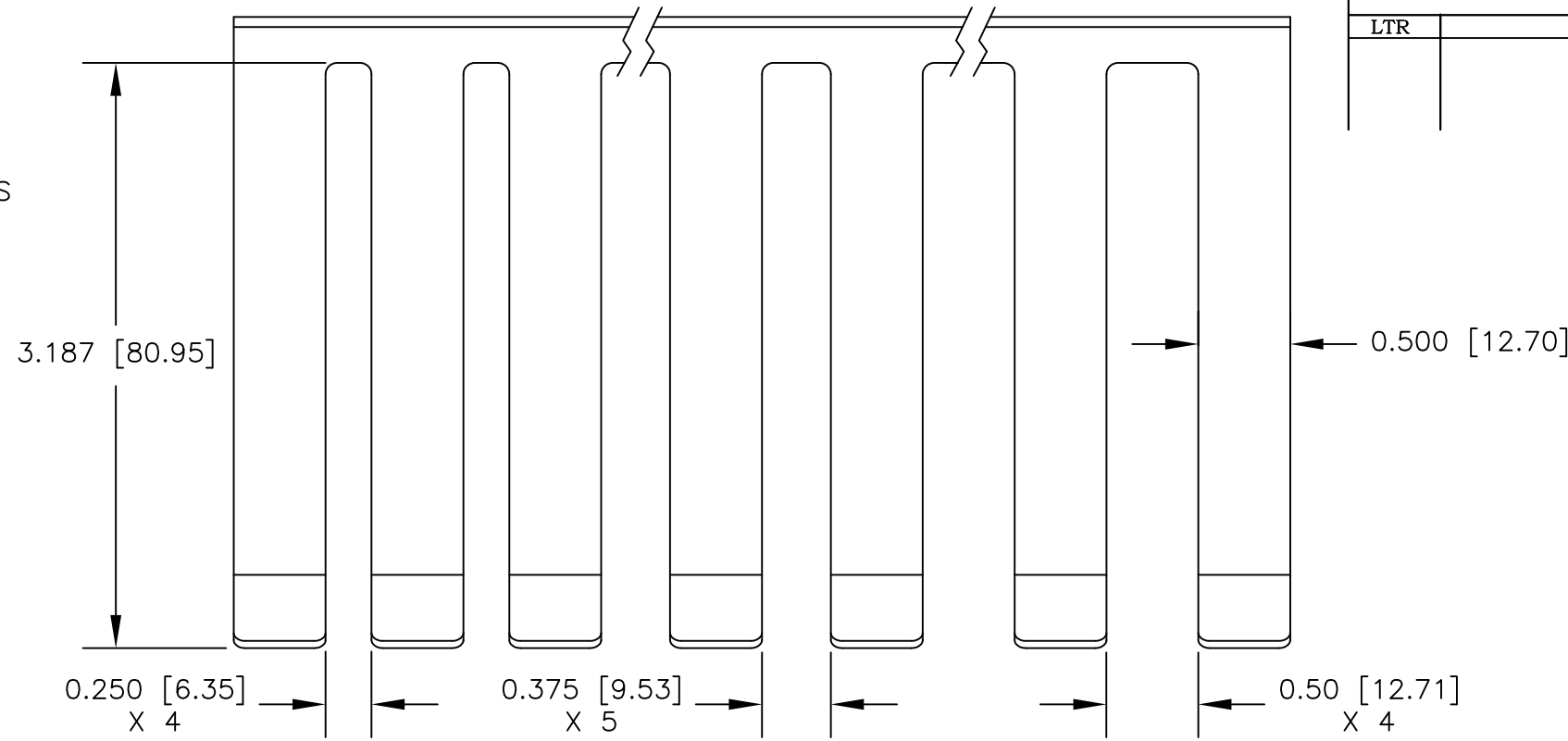


NOTES: UNLESS OTHERWISE SPECIFIED

1. FEATURES:  
LARGE 13 SLOT WALL BRACKET FOR HOLDING TEST LEADS AND CABLES. THREE DISTINCT WIDTHS FOR VARIOUS CABLE GAUGES.
2. PERFORMANCE:  
WEIGHT: 1 LB  
LOAD: 4 LBS DISTRIBUTED OVER EACH ARM.



REVISIONS		DATE	APPROVED
LTR	DESCRIPTION		

		UNLESS OTHERWISE SPECIFIED DIMENSIONS ARE IN INCHES TOLERANCES ARE: FRACTIONS DECIMALS ANGLES ± .XX ± ± .XXX ±		CONTRACT NO.		<b>E-Z-HOOK</b> DIVISION OF TEKTEST INC. ARCADIA, CA 91006 U.S.A.			
		MATERIAL STEEL		APPROVALS	DATE				
		FINISH BLACK		DRAWN	R.L.	9/10	DESCRIPTION 13 SLOT WALL BRACKET		
NEXT ASSY		USED ON		APPROVED BY		SIZE	CODE IDENT NO.	DRAWING NO.	REV.
APPLICATION		DO NOT SCALE DRAWING				B	08505	WB14	
						SCALE	1:1	SHEET 1 OF 1	