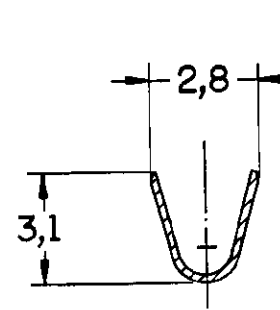
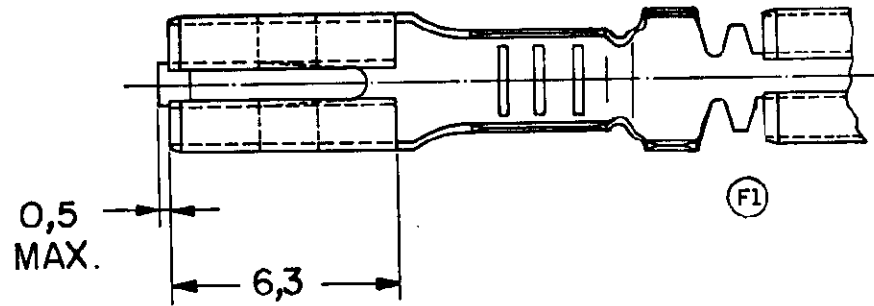
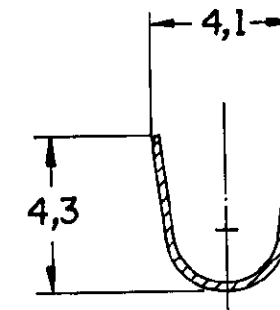


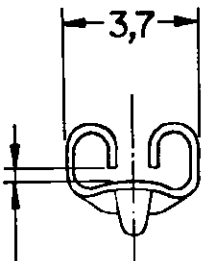
DWG NO.	DO NOT SCALE			METRIC		3rd ANGLE PROJECTION
	DIMENSIONS IN mm.					
REQ. PER ASSY	ITEM	DESCRIPTION	MATERIAL	FINISH		



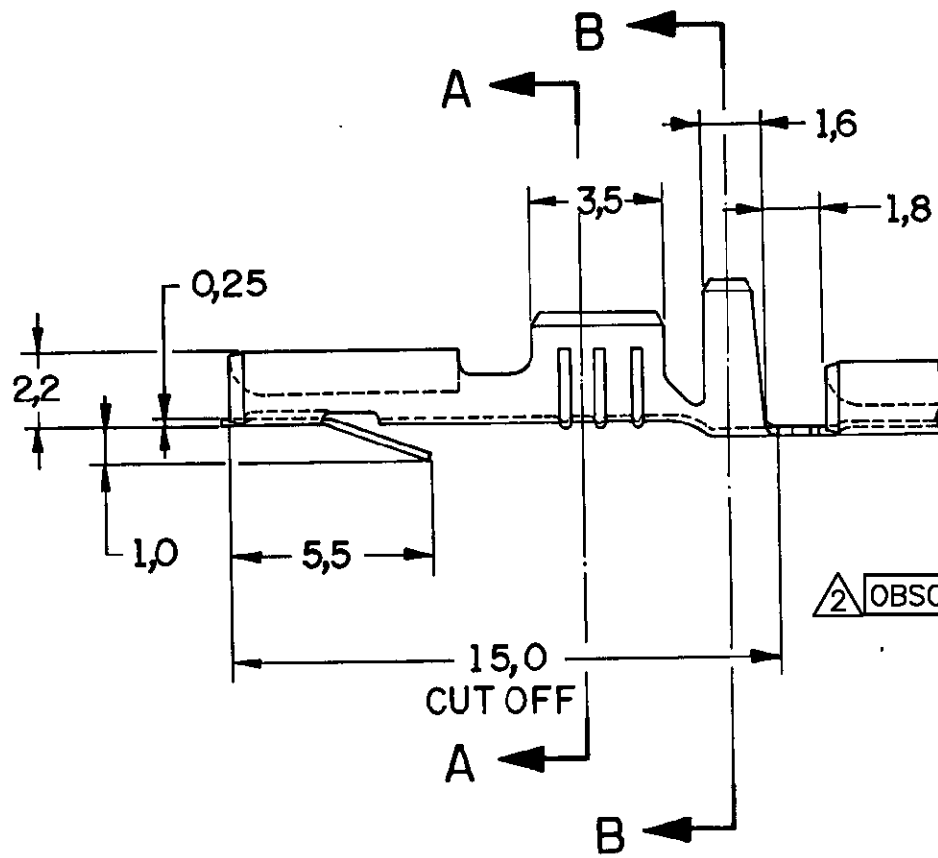
SECCÃO A-A
SECTION



SECCÃO B-B
SECTION



PARA TAB DE 0,8
ESPESSURA.
FOR 0,8 TAB.



△ OBSOLETE

⊙ (F1) ⊙ (F) 1- LOOSE PIECE: VER DESENHO 880680
LOOSE PIECE: SEE DRAWING.

△ OBSOLETE PARTS: OBSOLETE CIS STREAMLINING PER D.RENAUD/D.SINISI

FINISH	MATERIAL	PART NUMBER
PRÉ ESTANHADO	BRONZE FOSFOROSO	880635 -6
PRÉ ESTANHADO	LATÃO	880635 -5
(F1)	INATIVO	-4
— / —	BRONZE FOSFOROSO	880635 -3
(F1)	INATIVO	-2
— / —	LATÃO	880635 -1

CUSTOMER DWG
for REFERENCE ONLY

THIS DRAWING IS UNPUBLISHED. RELEASED FOR PUBLICATION.
© COPYRIGHT 19 BY AMP DO BRASIL LTDA S.P. ALL INTERNATIONAL RIGHTS RESERVED. AMP PRODUCTS MAY BE COVERED BY U.S. AND FOREIGN PATENTS AND/OR PATENTS PENDING.

TOLERANCES UNLESS OTHERWISE STATED
INS. DIA. RANGE 2,2 - 2,7 mm
WIRE RANGE >1,0 - 1,5 mm
DEC. ± 0,3
SCALE — / —

ANGLES ± 1°
AMP AMP do BRASIL LTDA.
São Paulo , Brasil

DR. MC. LAPRESA
02-JUL-93
DESCRIPTION .110 SERIES RECEPTACLE
FASTIN - FASTON

F2	REVISED PER ECO-09-026444	KK	26NOV09	CHK.	JR
F1	REVISED BY	06996	DAR	01-APR-96	JR
F	ADICIONADO NOTA △	321/93	NCL	26-JUL-93	DR. H. R.
E	REDRAWN WITH CHANGE	204/93	NCL	19-JUL-93	22-JUL-93
ISS	REVISION RECORD	ECN	DR CHK	DATE	APP.

A3 DWG NO. C 880635 SHEET 1 OF 1