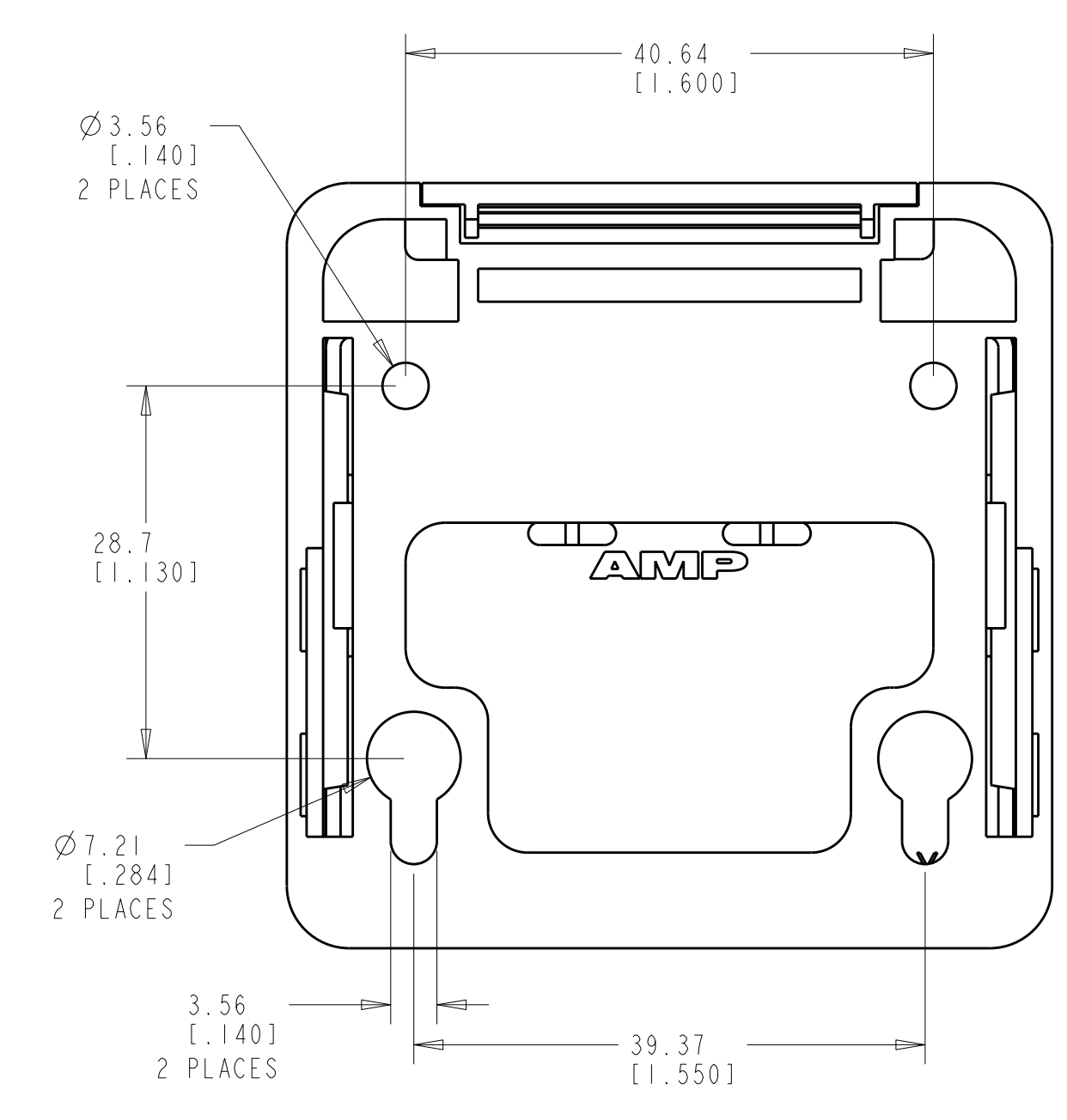
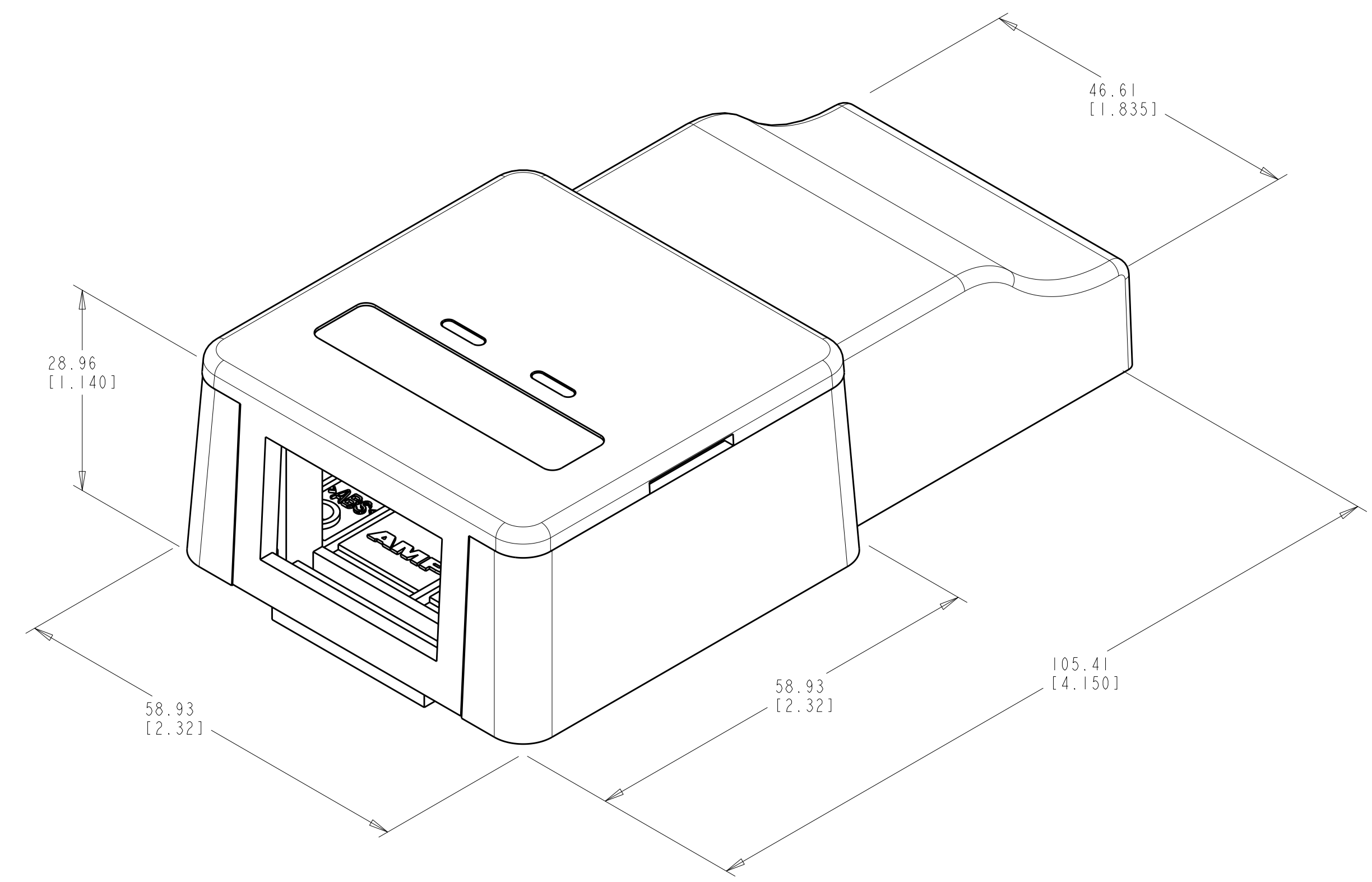
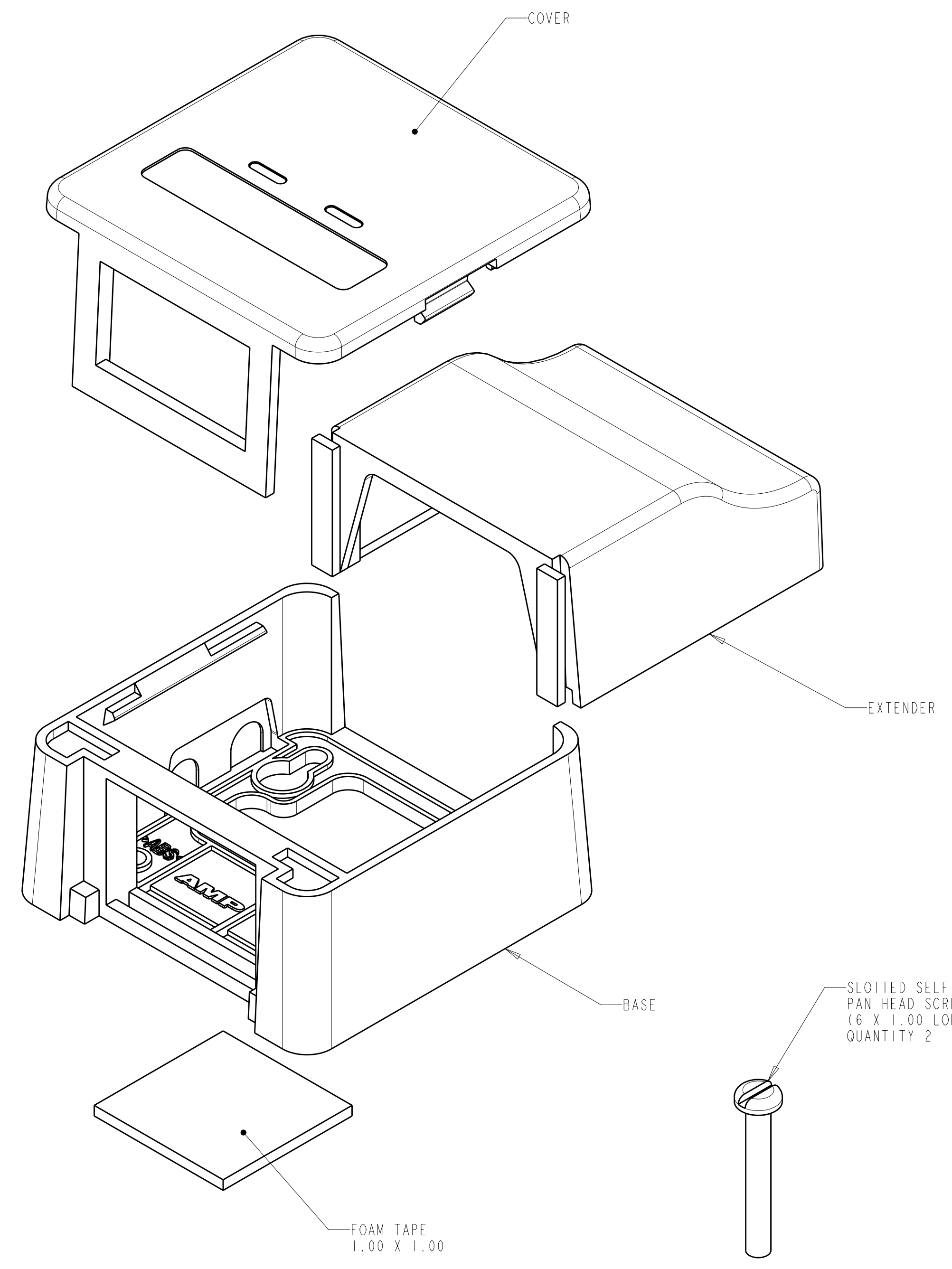


LOC	DIST	REVISIONS			
HM	00	REV	DATE	BY	APPD
		A	RELEASED; NPR NSD07-013	13MAR2007	GG GB
		B	REV ECO-11-000935	14JAN2011	LH RA

- ⚠ MATERIAL:  
 BASE, COVER AND EXTENDER - ABS MOLDING COMPOUND.  
 SEE TABLE FOR COLOR.
- ⚠ FOAM TAPE - DOUBLE SIDED ADHESIVE, POLYETHYLENE.
- ⚠ SCREWS - ZINC PLATED CARBON STEEL.
- ⚠ DIMENSIONS ARE NOMINAL UNLESS OTHERWISE SPECIFIED.
- 3. KIT SHIPPED NOT ASSEMBLED.



COLOR	PART NUMBER
ELECTRIC IVORY	1-1933287-1
NEMA GRAY	1933287-4
WHITE	1933287-3
BLACK	1933287-2
LIGHT ALMOND	1933287-1

DIMENSIONS: mm [ INCHES ]		TOLERANCES UNLESS OTHERWISE SPECIFIED: 0 PLC ± 1 PLC ± 2 PLC ± 3 PLC ± 4 PLC ± ANGLES ±		DWN G. GARRETT 13MAR2007 CHK G. ROWMAN 13MAR2007 APVD G. ROWMAN 13MAR2007		AMP Incorporated Harrisburg, PA 17105-3608	
MATERIAL: ABS		FINISH:		PRODUCT SPEC:		NAME: KIT, OFFICE BOX, EXTENDER, 2 PORT	
APPLICATION SPEC: 408-8399		WEIGHT:		SIZE: 408-8399		CAGE CODE: 00779	
CUSTOMER DRAWING		SCALE: 2:1		SHEET: 1 OF 1		REV: B	