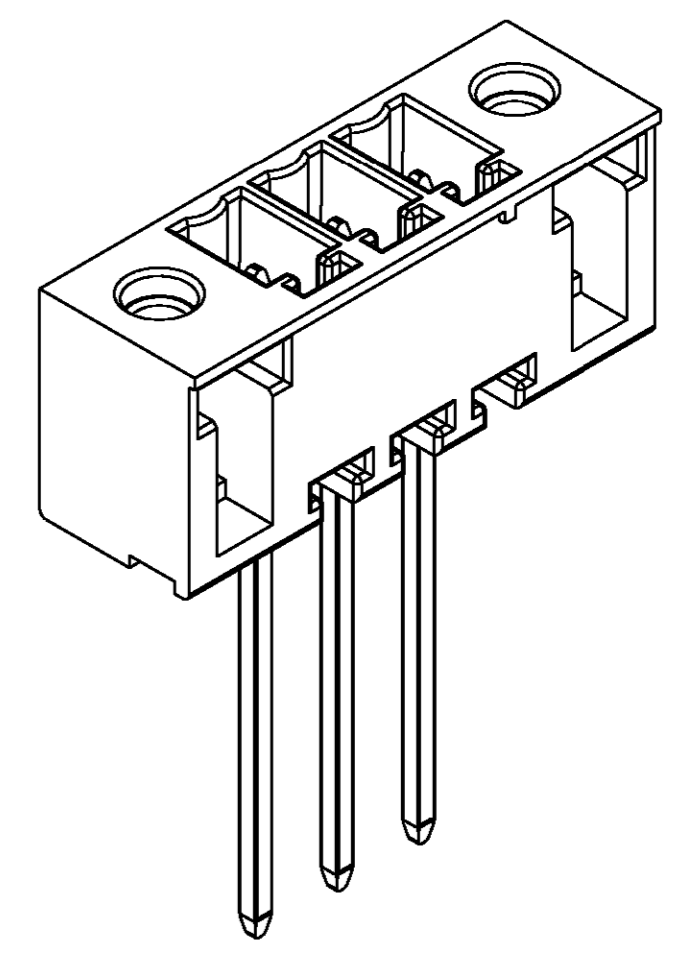
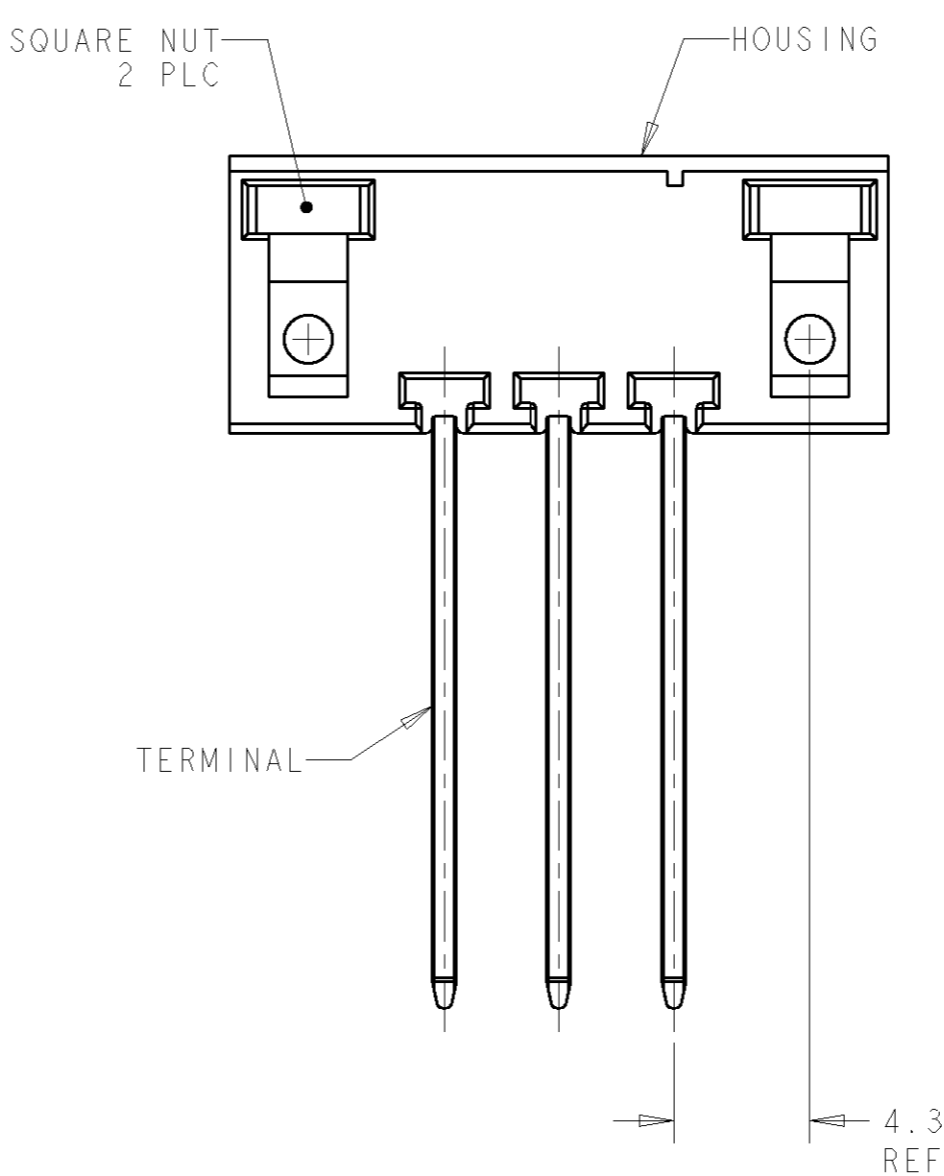
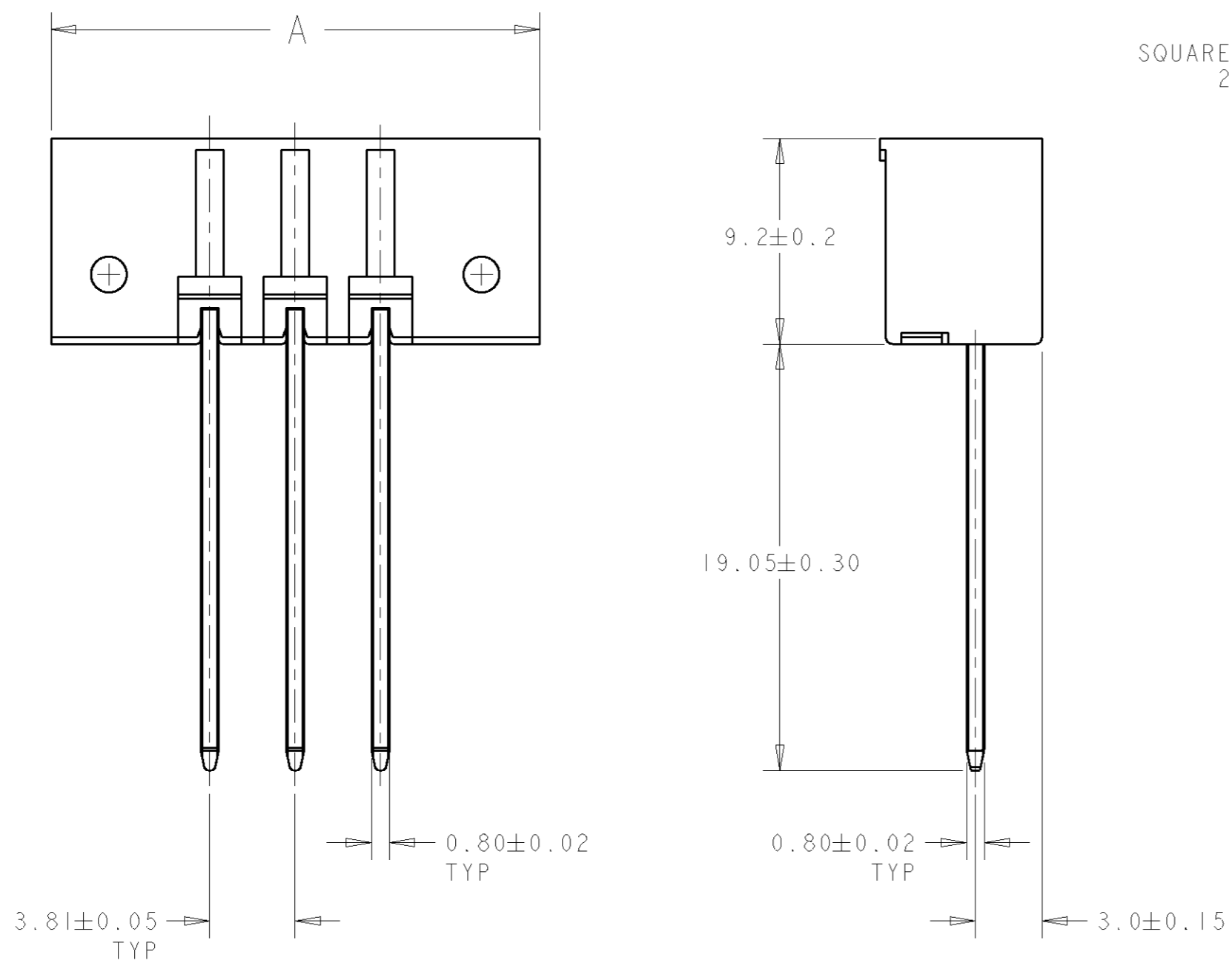
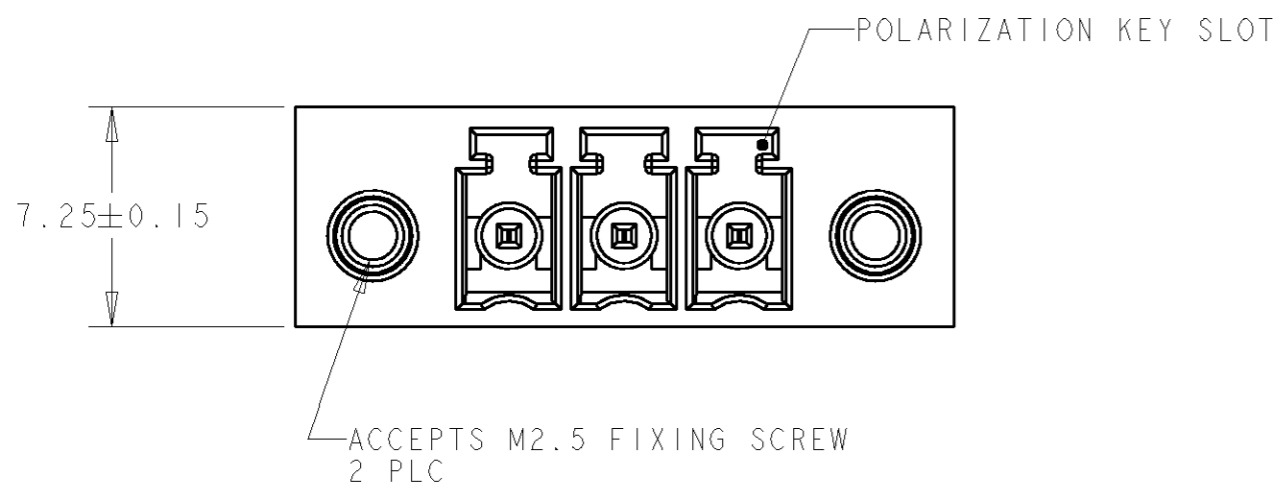


THIS DRAWING IS UNPUBLISHED. RELEASED FOR PUBLICATION 20
 © COPYRIGHT 20 BY TYCO ELECTRONICS CORPORATION. ALL RIGHTS RESERVED.

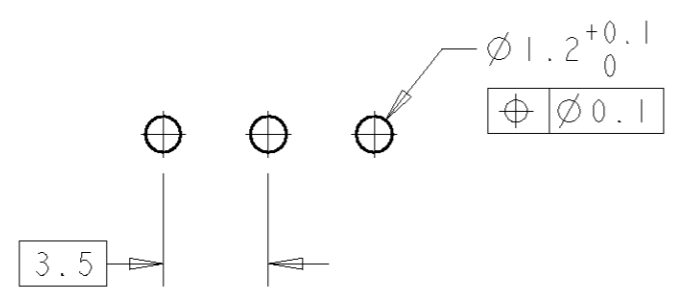
LOC	DIST	REVISIONS					
FT	0	P	LTR	DESCRIPTION	DATE	DWN	APVD
		0		PRELIMINARY	12JUL2004	SW	CR



1776106-3 AS SHOWN



1. MATERIALS AND FINISH
 HOUSING: PA 6.6, UL 94-V0, COLOR GREEN
 TERMINAL: PHOSPHOR BRONZE, TIN PLATED
2. CONNECTOR ASSEMBLY INCLUDES 2 SQUARE NUTS LOADED IN CAVITY
3. SUITABLE FOR 1.6-2.4 mm. PC BOARD THICKNESS



RECOMMENED PC BOARD LAYOUT

56.30	14	1-1776106-4
34.80	7	1776106-7
31.30	6	1776106-6
24.30	4	1776106-4
20.80	3	1776106-3
17.30	2	1776106-2
A	NO OF POSN	PART NUMBER

THIS DRAWING IS A CONTROLLED DOCUMENT FOR TYCO ELECTRONICS CORPORATION IT IS SUBJECT TO CHANGE AND THE CONTROLLING ENGINEERING ORGANIZATION SHOULD BE CONTACTED FOR THE LATEST REVISION.		DWN	09 JUL 2004	BUCHANAN Tyco Electronics Harrisburg, PA 17105-3608	
DIMENSIONS: mm		CHK	12 JUL 2004		
TOLERANCES UNLESS OTHERWISE SPECIFIED:		APVD	12 JUL 2004		
0 PLC ± 1 PLC ±.3 2 PLC ±.25 3 PLC ± 4 PLC ± ANGLES ±2 FINISH		PRODUCT SPEC	108-20166		
MATERIAL		APPLICATION SPEC	114-20079	NAME	TERMINAL BLOCK ASSEMBLY STRAIGHT, W/ THREADED FLANGE, 3.5mm PITCH
- -		WEIGHT	-	SIZE	A2
		CUSTOMER DRAWING		CAGE CODE	200779
				DRAWING NO	1776106
				RESTRICTED TO	-
				SCALE	4:1
				SHEET	1 OF 1
				REV	0