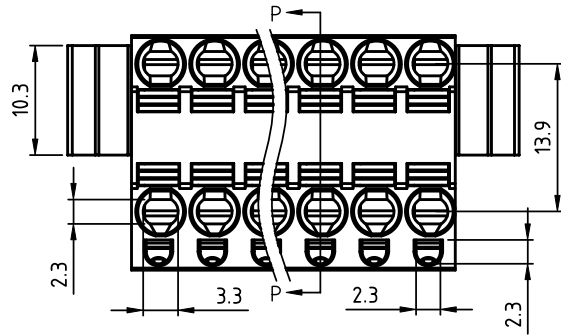


PRODUCT NUMBER	PITCH
NFxx50x200J0G	5.08 mm

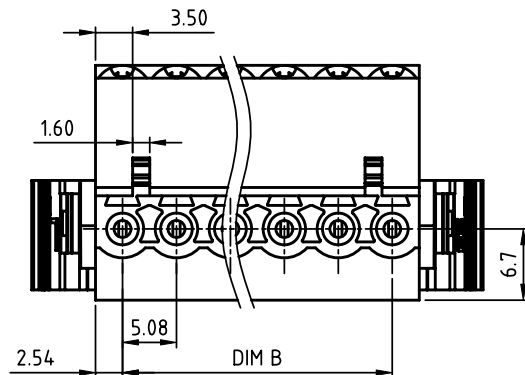
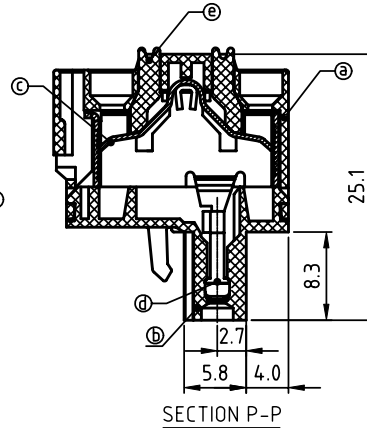
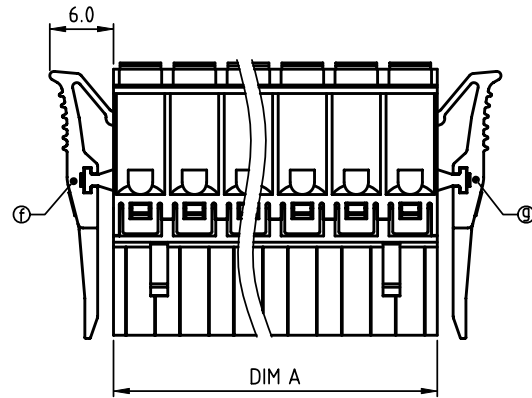
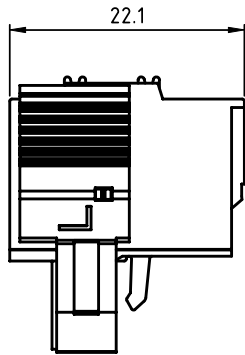
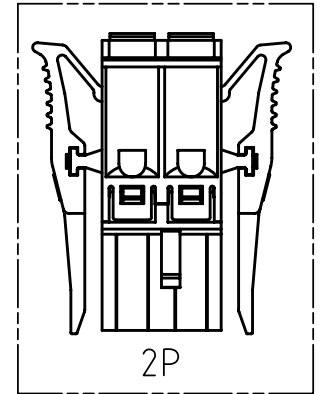


N=Number of poles  
Dim A=Nx5.08  
Dim B=(N-1)x5.08

Poles	Tolerance
2P-4P	±0.15
5P-8P	±0.20
9P-12P	±0.25
13P-15P	±0.30
16P-18P	±0.35
19P-24P	±0.40

PART NO.: NF xx 5 0 x 2 00J0 G

Solid block	0	Black (RAL9005)	RoHS compliant (lead<4%) In copper Alloy
No. of poles	2	Red (RAL3001/D)	
02 2 poles	3	Orange(RAL2011/P)	
03 3 poles	4	Yellow(RAL1018/A)	
...	5	Green(RAL6018/T)	
24 24 poles	6	Blue (RAL5015/A)	
	8	Grey(RAL7035/D)	
	9	White(RAL1102)	
	C	Green(RAL6018/U)	



Material:

- Item (a) Top body: Thermoplastic (UL94V-0)
- Item (b) Bottom body: Thermoplastic (UL94V-0)
- Item (c) Spring clamp: Stainless Steel
- Item (d) Female contact: PhBz (CuSn) Tin plated
- Item (e) Lever: Thermoplastic (UL94V-0) Orange(RAL2011/P)
- Item (f) With left latch: Thermoplastic (UL94V-0)
- Item (g) With right latch: Thermoplastic (UL94V-0)

Electrical

- Voltage rating: 300VAC
- Current rating: 8A
- Solid wire: 12-26 AWG
- Stranded wire: 12-26AWG
- Wire strip length: 11-12mm
- Withstanding Voltage: 1.6KV
- Operating temperature: -40°C to +115°C
- Safety Approval:

mat'l. code		surface ASME Y14.5	tolerance ASME Y14.5	projection 	product family TERMINAL BLOCK
ltr	ecn no	dr	date	MM	title TERMINAL BLOCK SPRING CLAMP, PLUGGABLE PLUG, WITH LATCH
tolerances unless otherwise specified					
angles		X.±0.5		scale	dwg no NFxx50x200J0G
X°±1°		X.X±0.3			
dr		EVIN ZHONG	052014		sheet 1 of 1
enr		EVIN ZHONG	052014		size A4
chr		HANKE FENG	052014		type CUSTOMER Drawing
appd		SHI JUN	052014		
sheet index	revision	A			
	sheet	1			