

712 End Window-Alpha-Beta-Gamma Detector***GENERAL SPECIFICATIONS***

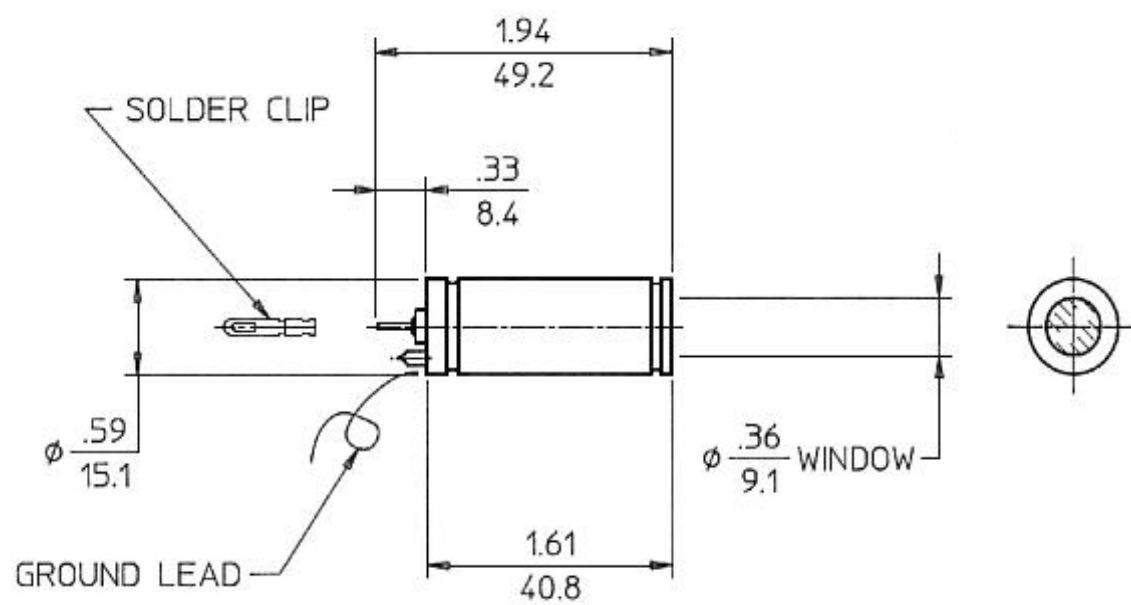
| | |
|--------------------------------|---------------------|
| Gas filling | Ne +Halogen |
| Cathode material | 446 Stainless Steel |
| Maximum length (inch/mm) | 1.94/49.2 |
| Effective length (inch/mm) | 1.5/38.1 |
| Maximum diameter (inch/mm) | 0.59/15.1 |
| Effective diameter (inch/mm) | 0.36/9.1 |
| Connector | Pin |
| Operating temperature range °C | -40 to +75 |

WINDOW SPECIFICATIONS

| | |
|-------------------------------------|-----------|
| Areal density (mg/cm ²) | 1.5 - 2.0 |
| Effective diameter (inch/mm) | 0.36/9.1 |
| Material | Mica |

ELECTRICAL SPECIFICATIONS

| | |
|--|-----------|
| Recommended anode resistor (meg ohm) | 10 |
| Maximum starting voltage (volts) | 325 |
| Recommended operating voltage (volts) | 500 |
| Operating voltage range (volts) | 450 - 650 |
| Maximum plateau slope (%/100 volts) | 6 |
| Minimum dead time (micro sec) | 90 |
| Gamma sensitivity Co60 (cps/mr/hr) | 18 |
| Tube capacitance (pf) | 3 |
| Weight (grams) | 8 |
| Maximum background shielded 50mm Pb + 3mm Al (cpm) | 10 |



GAMMA SENSITIVITY

TUBE TYPE - 712

