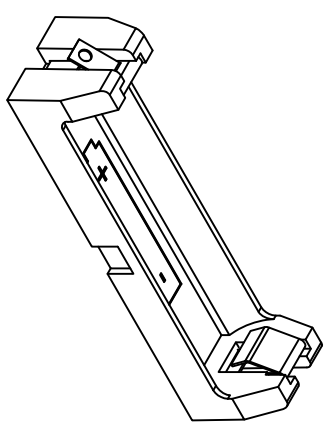
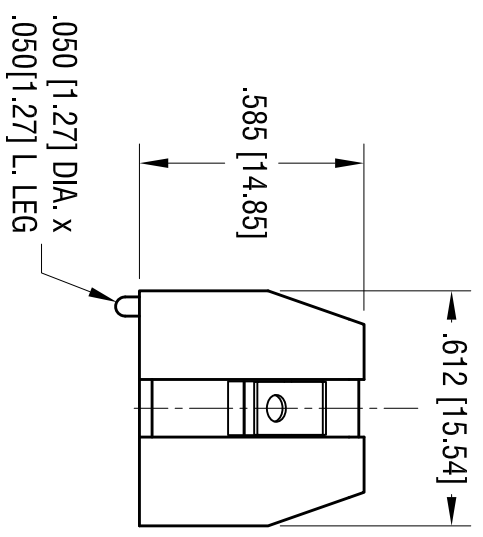
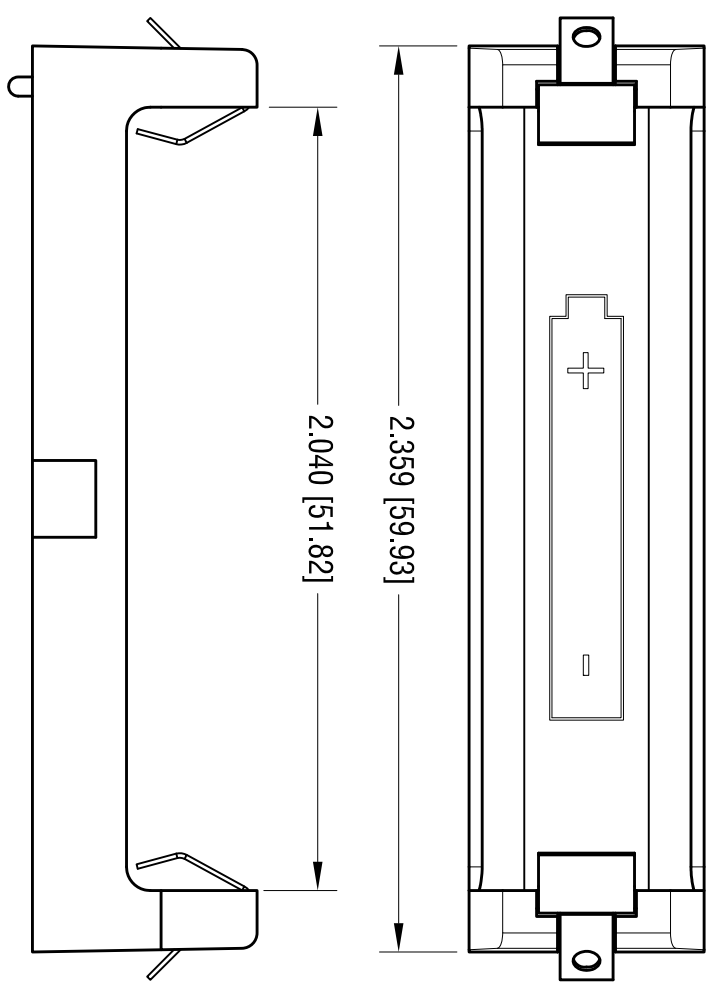


DATE	DESCRIPTION	REV.



ACTUAL SIZE

NOTE:  
 1. BASE:  
 MAT'L: HEAT RESISTANCE NYLON  
 STANLYL 46 OR EQUIVALENT  
 2. CONTACT:  
 MAT'L: .012 [0.30] THK STAINLESS STEEL  
 FINISH: TIN NICKEL PLATE

THIS DOCUMENT IS THE PROPERTY OF KEYSTONE ELECTRONICS CORP. AND SHALL NOT BE REPRODUCED, DISTRIBUTED OR USED AS A BASIS FOR MANUFACTURE WITHOUT PRIOR WRITTEN PERMISSION FROM KEYSTONE ELECTRONICS CORP.

<b>KEYSTONE ELECTRONICS CORP.</b>			
www.keystec.com • ASTORIA, N.Y. 11105-2017 • Tel (718) 956-8900			
PART NAME SOLDER LUG BATTERY HOLDER, AA			
MATERIAL AS NOTED			
FINISH AS NOTED	DRN BY NT	DATE 7.11.16	
TOLERANCES DECIMAL ± .010 [± 0.25] ANGULAR ± 1°	CODE C	DWG NO. 1115	SCALE 2X