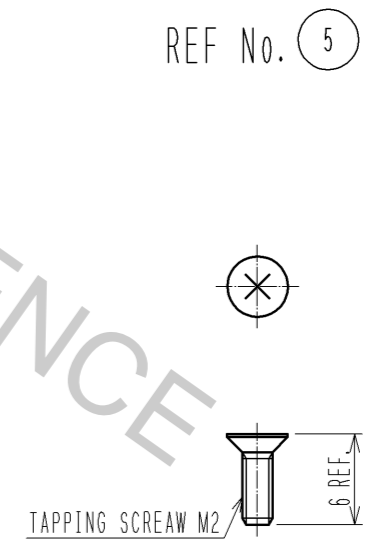
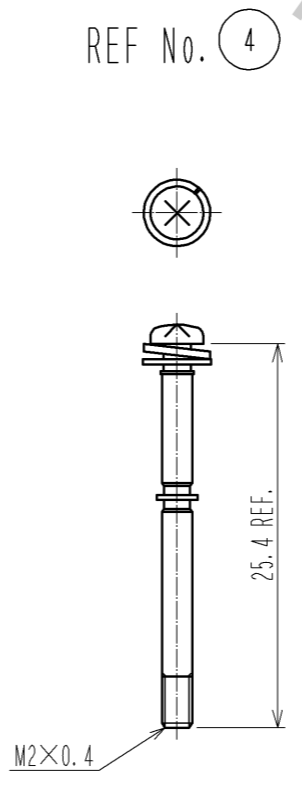
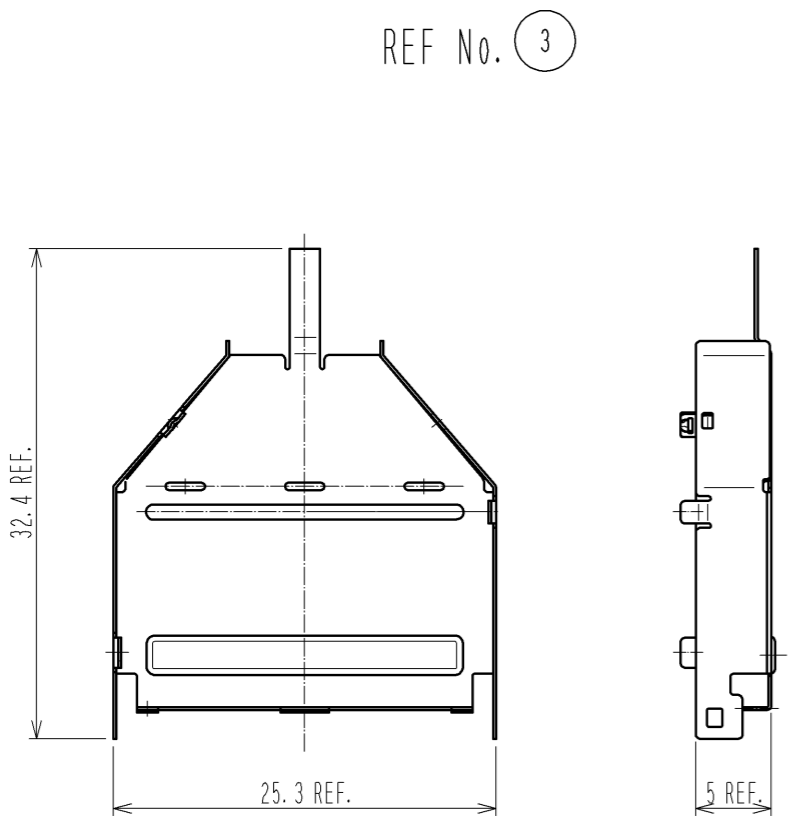
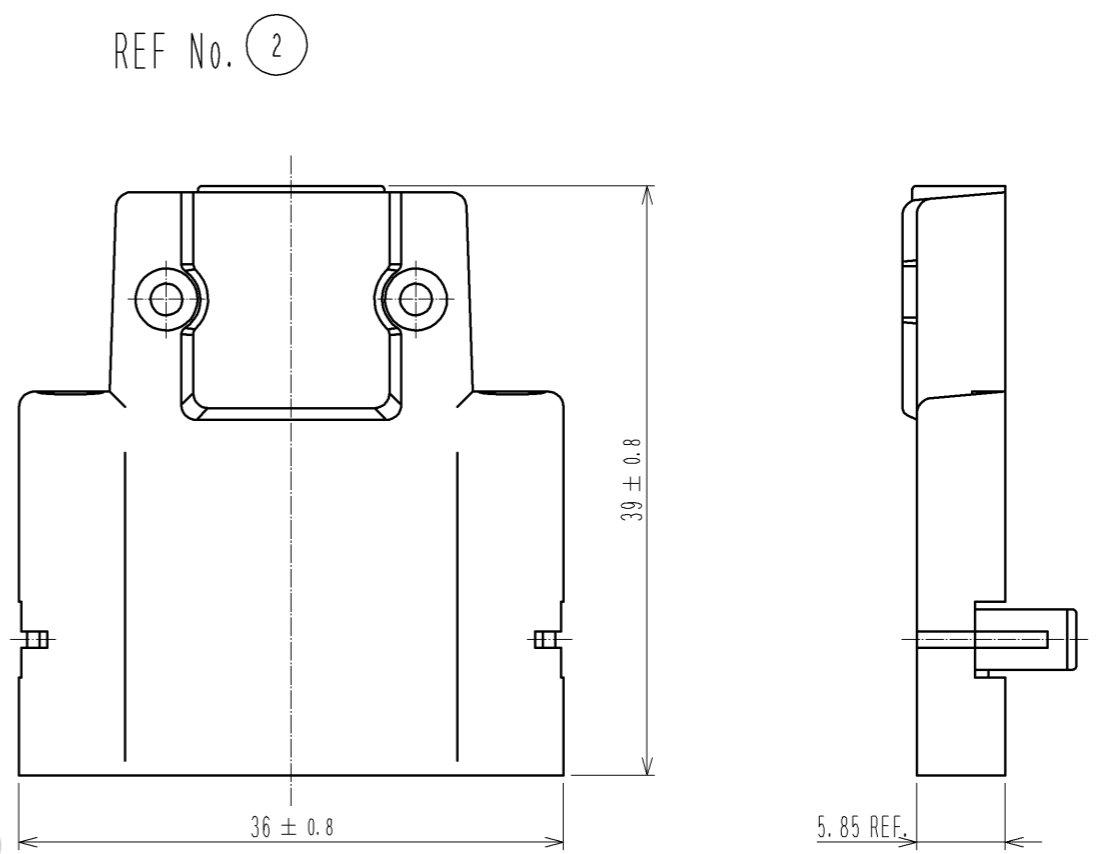
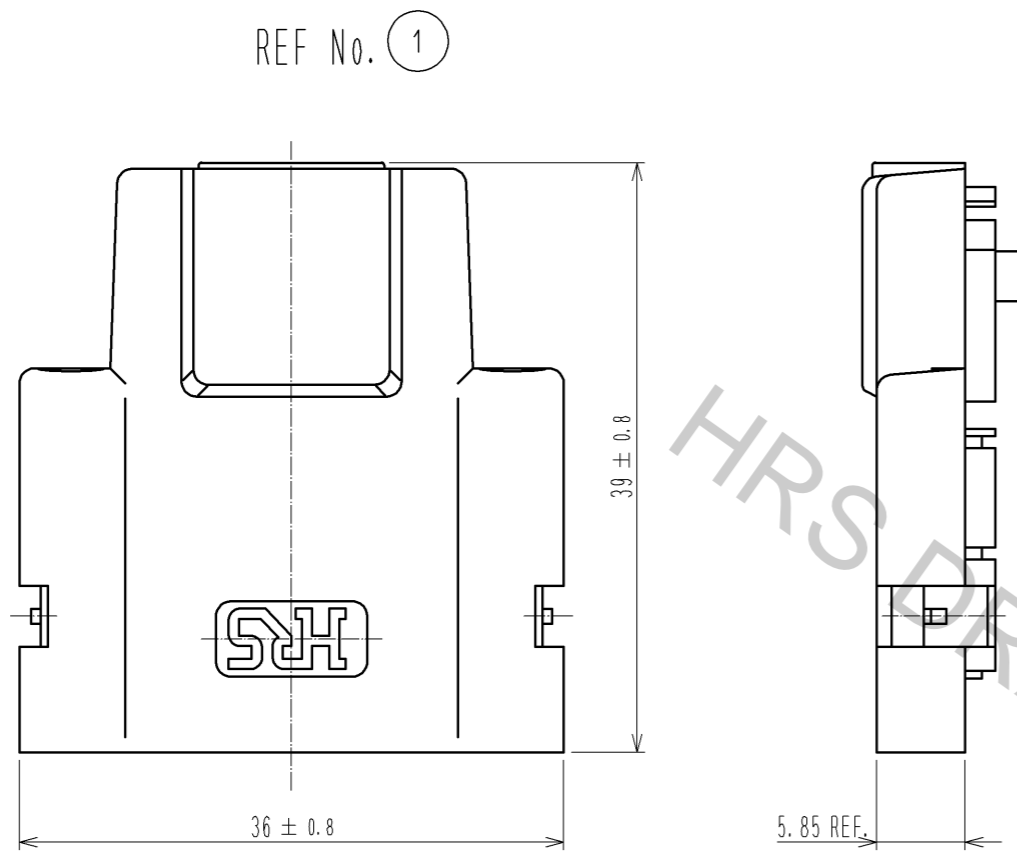


- NOTE
- 1. THIS PRODUCT IS DELIVERED SEPARATELY.
  - 2 AS SHOWN IN THE FIGURE, THIS PRODUCT SHALL BE USED ASSEMBLED TO A CONNECTOR UNIT 'DH3+B-37S'. A CLAMP 'DH-37-CMB(8.8)' IS NEEDED WHEN ASSEMBLING THE UNIT.
  - 3. THIS PRODUCT SHALL BE MATED WITH A RECEPTACLE 'DH60-37P+' WHICH ASSEMBLED LOCK SCREWS 'DH-LNA\*\*\*'.
  - 4 A RECOMMENDED SCREW TIGHTENING TORQUE TO THE LOCK SCREWS TO BE FROM 0.06 TO 0.07 N · m.
  - 5 A RECOMMENDED SCREW TIGHTENING TORQUE FOR COVERS TO BE FROM 0.1 TO 0.15 N · m.

3	STAINLESS STEEL	PLATING : NICKEL 0.1 μm MIN	5	STEEL	OVER PLATING: NICKEL 3 μm MIN UNDER PLATING: COPPER 0.1 μm MIN
2	PC	UL94V-0 (SAND BEIGE)	4	STEEL	OVER PLATING : NICKEL 2 μm MIN UNDER PLATING : COPPER 1 μm MIN M2×0.4
1					
NO.	MATERIAL	FINISH . REMARKS	NO.	MATERIAL	FINISH . REMARKS
UNITS mm		SCALE 2 : 1	COUNT		DESCRIPTION OF REVISIONS
DESIGNED		CHECKED		DATE	
APPROVED : KN. ICHIKAWA		10.04.05		DRAWING NO. EDC3-126588-13	
CHECKED : KN. ICHIKAWA		10.04.05		PART NO. DH-37-CV1B(13)	
DESIGNED : MO. SHIMOYAMA		10.04.05		CODE NO. CL244-0011-8-13	
DRAWN : TM. ONO		10.04.05		1/2	

Apr.1.2017 Copyright 2017 HIROSE ELECTRIC CO., LTD. All Rights Reserved.



<b>HRS</b>	DRAWING NO.	EDC3-126588-13	△ 2/2
	PART NO.	DH-37-CV1B(13)	
	CODE NO.	CL244-0011-8-13	