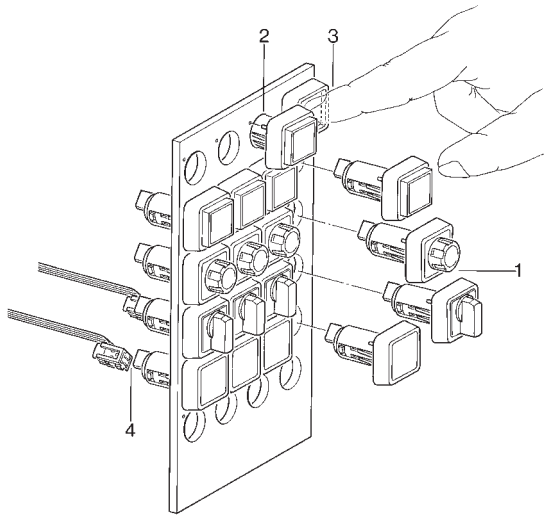


Series LUMOTAST 25

16.2 mm mounting hole diameter

1

Mounting of Click-Version

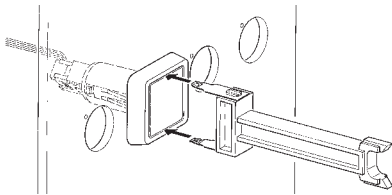


- ① As delivered
- ② Insert pushbutton in hole
- ③ Actuate once
- ④ Insert connector with flat-ribbon cable

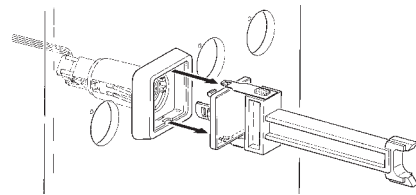
LUMO
25

Disassembly Click-Version from Front Side

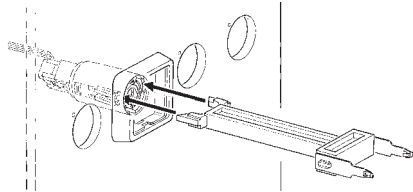
Click-Version from front (only for pushbuttons and signal lamps with special tool for dismounting)



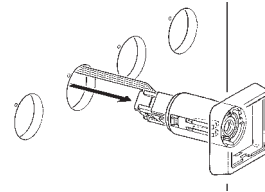
1. Grip body/lens



2. Pull out body/lens



3. Release click lever



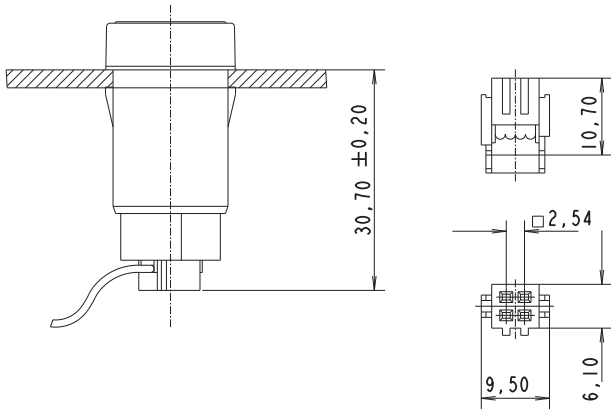
4. Pull out pushbutton/signal lamp with cable

PUSHBUTTONS

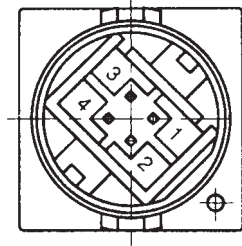
LUMOTAST 25 - ILLUMINATED PUSHBUTTONS

Dimensional drawing

With quick connector and flat-ribbon cable

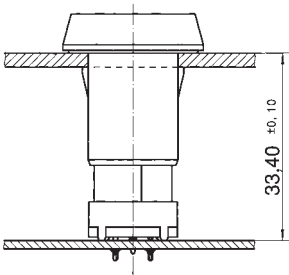


Connection diagram (PCB top view)

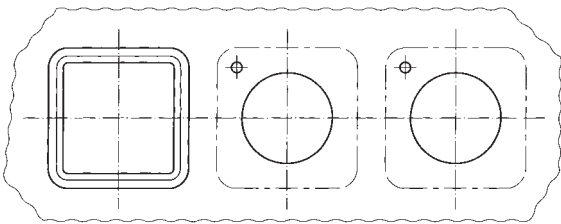


1 + 4 = pushbutton connection, 2 + 3 = lamp connection
If LED is used: connection 3 = cathode

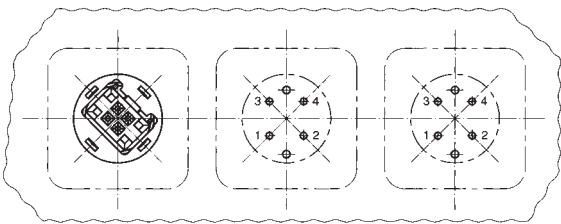
With plug-in socket



Front panel top view

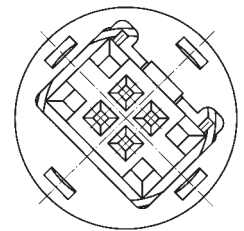
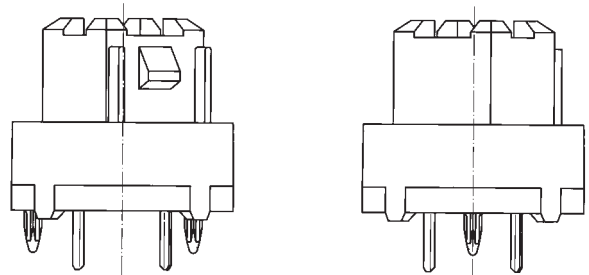


PCB top view



1+4 contact connection
2+3 lamp connection

Plug-in socket for PCB



PCB hole diagram
Sight on component side

