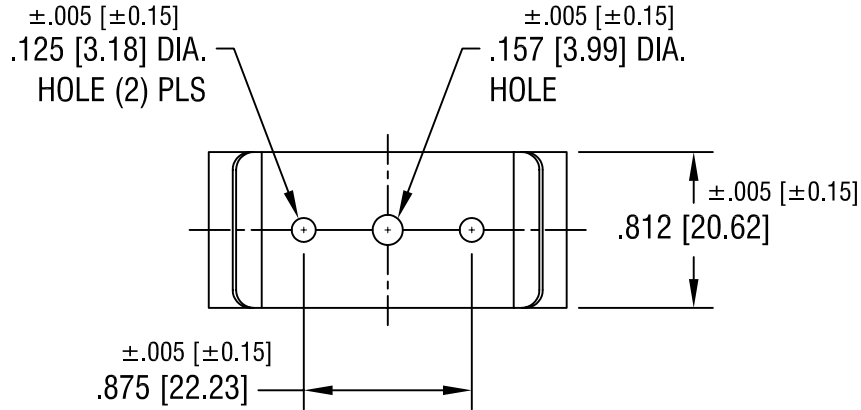


THIS DOCUMENT IS THE PROPERTY OF
KEYSTONE ELECTRONICS CORP. AND
SHALL NOT BE REPRODUCED, DISTRIBUTED
OR USED AS A BASIS FOR MANUFACTURE
WITHOUT PRIOR WRITTEN PERMISSION
FROM KEYSTONE ELECTRONICS CORP.



NOTE:

1. HEAT TREAT TO SPRING TEMPER.

KEYSTONE ELECTRONICS CORP.			
ASTORIA, N.Y. 11105-2017			
PART NAME		COMPONENT CLIP	
MATERIAL			
.025 [.63] TH'K ANNEALED SPRING STEEL			
FINISH		DRN BY	DATE
NICKEL PLATE		BOONE	2.3.82
		APPD	SCALE
		LN	1X
DATE	DESCRIPTION	REV.	DWG NO.
4.10.03	CHANGE AS PER ECN 03-031	D	219
TOLERANCES		INCH	[MM]
DECIMAL		$\pm .010$	[± 0.25]
ANGULAR		$\pm 1^\circ$	
UNLESS OTHERWISE SPECIFIED		CODE	
		C	

DATE	DESCRIPTION	REV.
4.10.03	CHANGE AS PER ECN 03-031	D