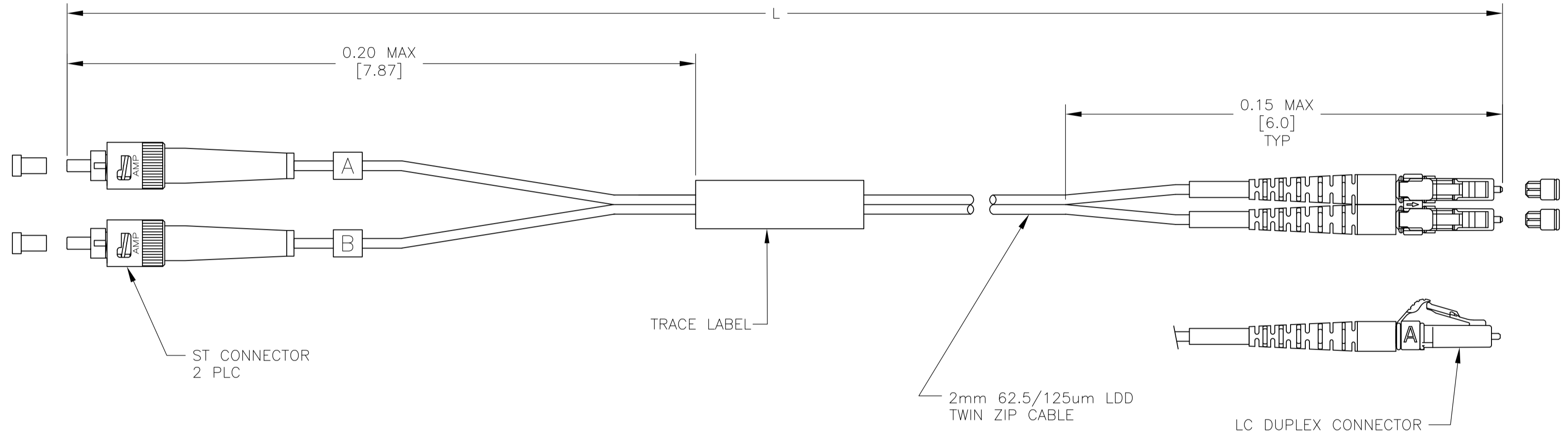


LOC	DIST	REVISIONS					
CE	16	P	LTR	DESCRIPTION	DATE	DWN	APVD
		B		REVISED PER ECR-08-015371	20JUN08	JWD	JD

1. MAXIMUM INSERTION LOSS: 0.5 dB ST
0.2 dB LC
2. PRODUCT AND PROCESSING MUST MEET REQUIREMENTS OF TYCO ELECTRONICS STANDARD 230-702



ST, LEFT CONNECTOR	LC, RIGHT CONNECTOR
A	B
B	A

FIBER ROUTING

40.00±0.40	[1574.8±16.0]	4-6457104-0
35.00±0.35	[1378.0±14.0]	3-6457104-5
30.00±0.30	[1181.1±12.0]	3-6457104-0
25.00±0.30	[984.2±12.0]	2-6457104-5
20.00±0.30	[787.4±12.0]	2-6457104-0
15.00±0.15	[590.6±6.0]	1-6457104-5
10.00±0.15	[393±6]	1-6457104-0
9.00±0.15	[354.3±6.0]	6457104-9
8.00±0.15	[315.0±6.0]	6457104-8
7.00±0.08	[275.6±3.0]	6457104-7
6.00±0.08	[236.2±3.0]	6457104-6
5.00±0.08	[196.9±3.1]	6457104-5
3.00±0.05	[118.1±2.0]	6457104-3
2.00±0.05	[78.7±2.0]	6457104-2
1.00±0.05	[39.4±2.0]	6457104-1
L METERS	[INCHES]	PART NO.

THIS DRAWING IS A CONTROLLED DOCUMENT.

DWN C.S.VASU 23 SEP 05	Tyco Electronics Corporation Harrisburg, PA 17105-3608
CHK J.DUNCAN 23 SEP 05	
APVD J.DUNCAN 23 SEP 05	NAME
CABLE ASSEMBLY, FIBER OPTIC, 62.5/125 TWIN ZIP ST TO LC DUPLEX	
PRODUCT SPEC	
APPLICATION SPEC	
WEIGHT	RESTRICTED TO
SIZE A2	CAGE CODE 00779
DRAWING NO 6457104	
CUSTOMER DRAWING	
SCALE NTS	SHEET 1 of 1
REV B	