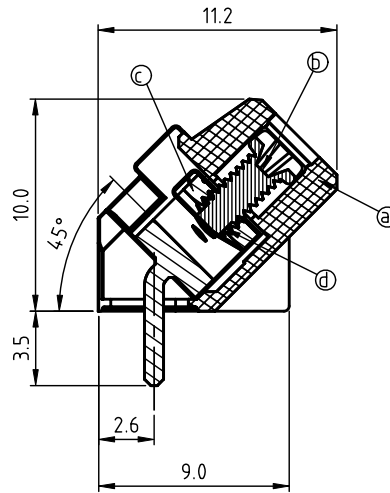
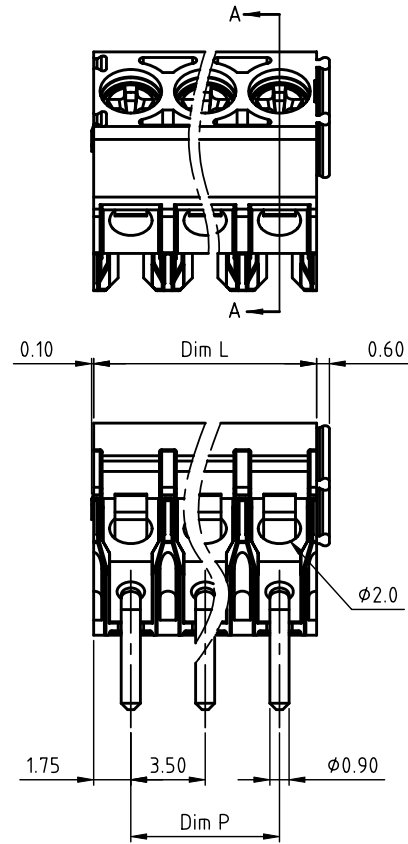
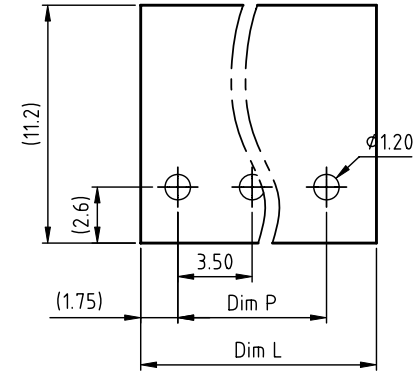


PRODUCT NUMBER	PITCH
KZxx10x100J0G	3.50 mm



SECTION A-A



RECOMMENDED P.C.B LAYOUT
TOP VIEW

Materials

- Item@ Terminal housing : Thermoplastic (UL94V-0)
- ItemⓅ Terminal screw: Steel Zinc plating "+/-" slot type
- ItemⓄ Wire guard : Stainless steel
- ItemⓈ Terminal body: Brass(CuZn) ,Tin Plated

Electrical cULus

- Voltage rating: 300VAC
- Current rating: 15A
- Wire range:
 - Solid wire(AWG): 12-26
 - Stranded wire(AWG): 12-26
- Torque(Lb-In): 3.5
- Screw: M2.6
- Wire strip length: 5-6mm
- Withstanding Voltage: 1.6KV
- Operating temperature: -40°C to +115°C
- Soldering temperature: 260°C±5°C/5 Sec
- Safety Approval:

N = Number of poles
Dim L=Nx3.5
Dim P=(N-1)x3.5

Poles	Dim.	Dim L	Dim P
2-6p		±0.15	±0.10
7-12p		±0.20	±0.15
13-18p		±0.25	±0.20
19-24p		±0.30	±0.25

PART NO.: KZ xx 1 0 x 1 00J0 G

- End stackable
- No. of poles
- 0 2 poles
- 2 3 poles
- 3 ...
- 4 24 poles
- 5
- 6
- 8
- 9
- C
- Body Color
- 0 Black (RAL9005)
- 2 Red (RAL3001/D)
- 3 Orange(RAL2011/P)
- 4 Yellow(RAL1018/A)
- 5 Green(RAL6018/T)
- 6 Blue (RAL5015/A)
- 8 Grey(RAL7035/D)
- 9 White(RAL1102)
- C Green(RAL6018/U)
- RoHS compliant (lead<4%) In copper Alloy

mat'l. code		surface ASME Y14.5	tolerance ASME Y14.5	projection	product family
ltr	ecn no	dr	date		TERMINAL BLOCK
tolerances unless otherwise specified				MM	title
angles	0				TERMINAL BLOCK
0		X.±0.5			WIRE PROTECTOR,ROUND HOLE,45D WIRE INLET
15		X.X±0.3			scale
X*±1*		X.XX±0.1			dwg no
dr	EVIN ZHONG	040314			sheet 1 of 1
enr	EVIN ZHONG	040314			size
chr	HANKE FENG	040314			KZxx10x100J0G
appd	SHI JUN	040314			A4
					type
					CUSTOMER Drawing
sheet index	revision	A			
	sheet	1			