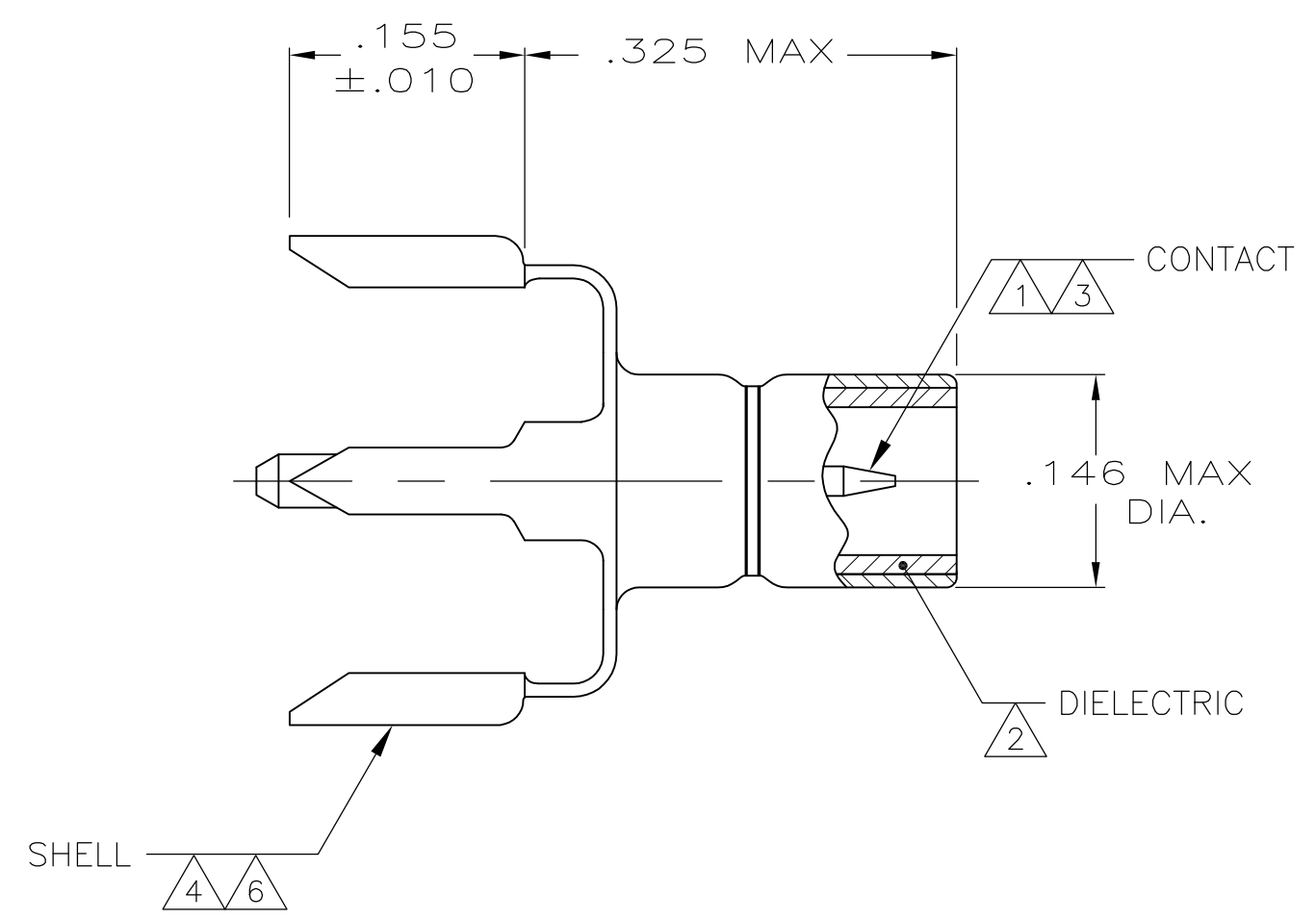
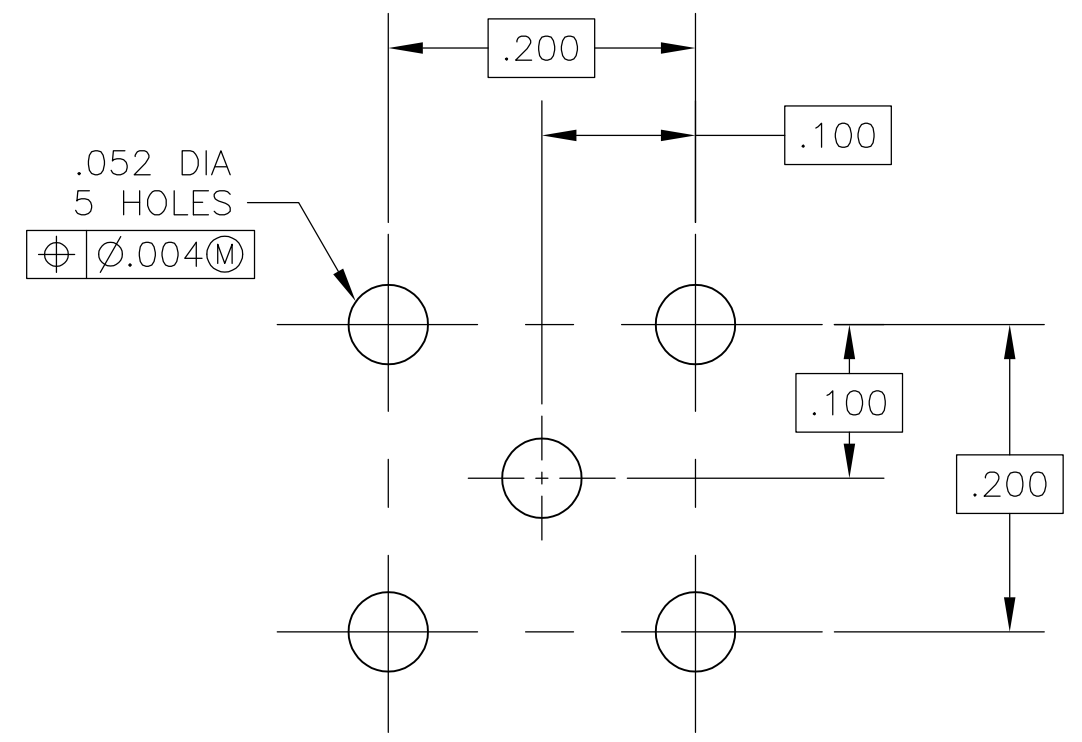


THIS DRAWING IS UNPUBLISHED. RELEASED FOR PUBLICATION
 © COPYRIGHT - By - ALL RIGHTS RESERVED.

LOC	DIST	REVISIONS					
AJ	53	P	LTR	DESCRIPTION	DATE	DWN	APVD
		B1		ECR-12-005726	27MAR12	RK	MY



- 1 BRASS PER ASTM-B-16.
- 2 PTFE PER ASTM-D-1710.
- 3 GOLD PLATE PER ASTM-B-488.
- 4 TIN PLATE PER ASTM-B-545.
- 5 NICKEL PLATE PER QQ-N-290.
- 6 BRASS PER ASTM-B-36.



RECOMMENDED PCB HOLE CONFIGURATION

221111-1
 PART NUMBER

THIS DRAWING IS A CONTROLLED DOCUMENT.		DWN T.SMITH 2-29-84	STE TE Connectivity	
DIMENSIONS: INCHES		CHK D.S.HEIDE 3-2-84		
TOLERANCES UNLESS OTHERWISE SPECIFIED:		APVD R.E.CAPP 3-2-84	NAME JACK,PCB, VERTICAL SMB	
0 PLC ± -		PRODUCT SPEC -	SIZE CAGE CODE DRAWING NO RESTRICTED TO	
1 PLC ± -		APPLICATION SPEC -	A3 00779 C-221111-1 -	
2 PLC ± -		WEIGHT -	SCALE 8:1 SHEET 1 OF 1 REV B1	
3 PLC ± .002		CUSTOMER DRAWING		
4 PLC ± -				
ANGLES ± -				
MATERIAL SEE NOTES		FINISH SEE NOTES		