

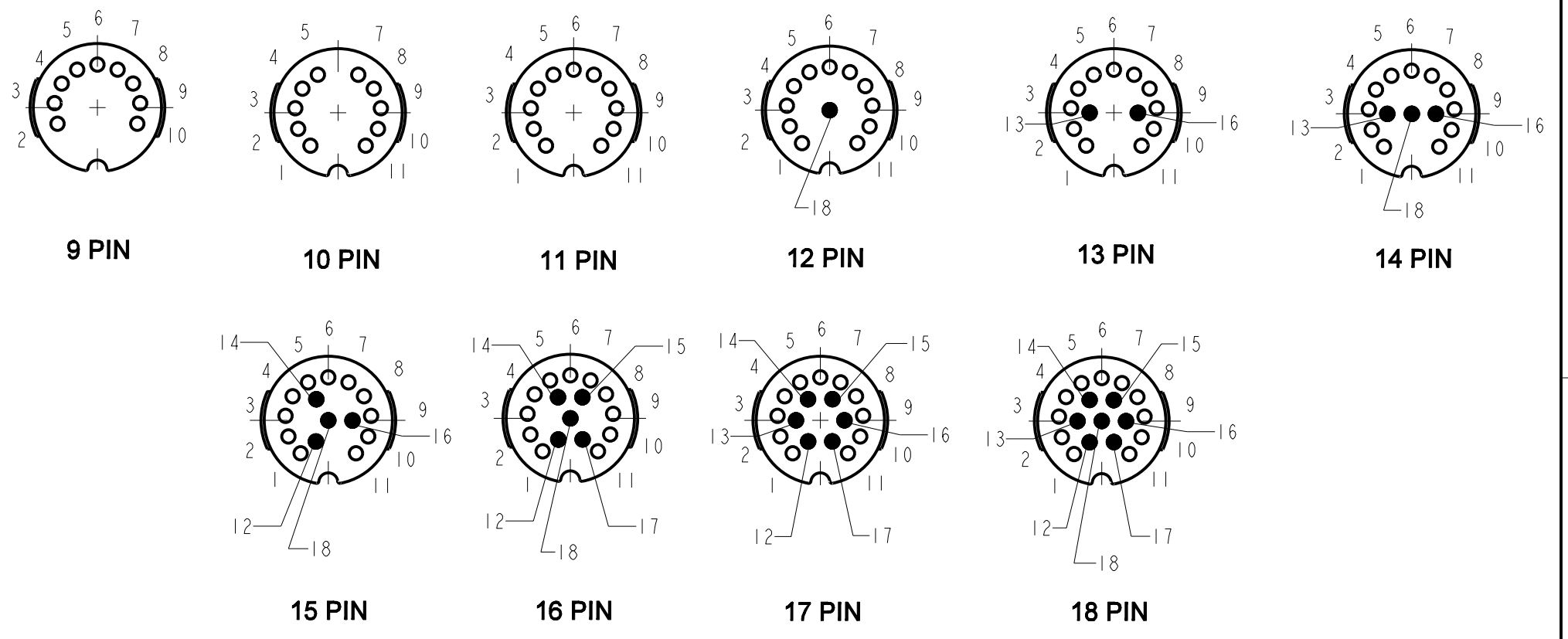
SPECIFICATIONS

MECHANICAL:
 SHOCK: MIL-STD 202 METHOD 213B, COND. K.
 VIBRATION: MIL-STD 202 METHOD 201A
 LIFE: 1000 INSERTION/WITHDRAWAL CYCLES (MINIMUM)

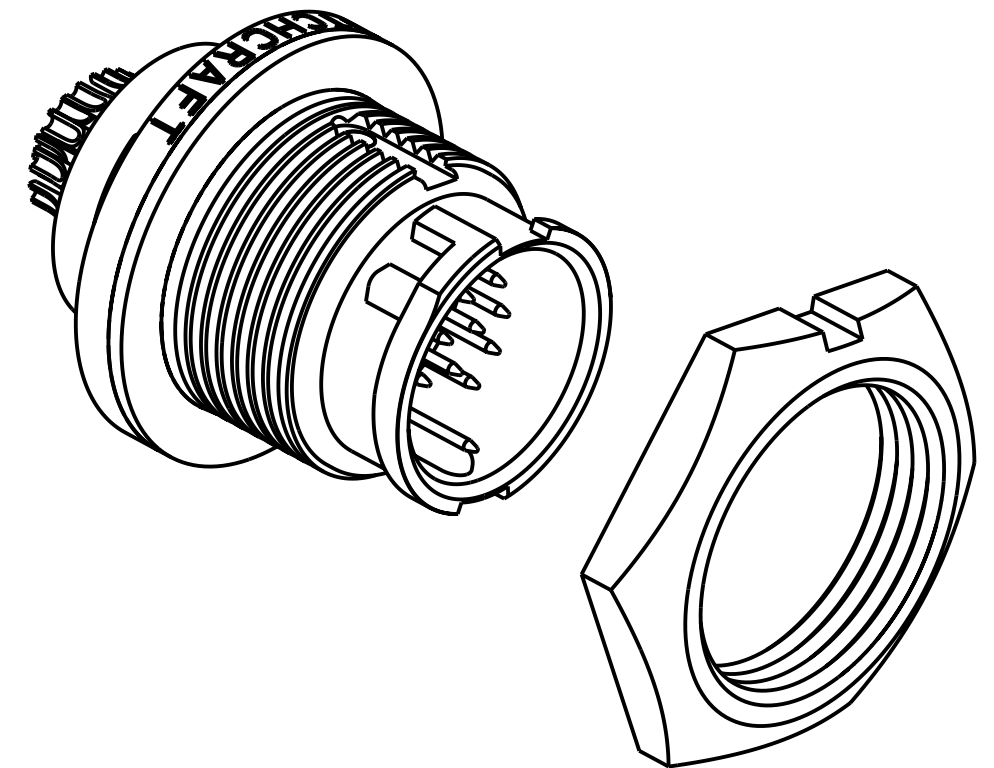
ELECTRICAL
 DIELECTRIC WITHSTANDING VOLTAGE: 250 VAC
 INSULATION RESISTANCE: 100 MEGOHMS (MIN) AT 77°F
 CONTACT RESISTANCE: 10.0 MILLOHMS MAX.
 CURRENT RATING: 2.0 AMPS

ENVIRONMENTAL
 TEMPERATURE LIMITS: -40°C TO +65°C (NON-OPERATING)
 MOISTURE RESISTANCE: MIL-STD 202 METHOD 106F
 INSULATION RESISTANCE: MIL-STD 202 METHOD 302, COND. B
 THERMAL SHOCK: MIL-STD 202 METHOD 107G
 SALT SPRAY: MIL-STD 202 METHOD 101D, COND. B
 WATER TIGHTNESS TEST: U.S. COAST GUARD CFR 46 PART 110.20

- NOTES:**
- HEX NUT TORQUE:
8 TO 10 INCH-LBS. OF TORQUE
(MUST NOT EXCEED 10 INCH-LBS.)
 - HEX NUT SHIPPED UNASSEMBLED.



CONTACT ARRANGEMENTS - VIEWED FROM REAR OF CONNECTOR (WIRING SIDE)
 HOLES USED DENOTED BY NUMBER REFERENCED IN 18 PIN LAYOUT

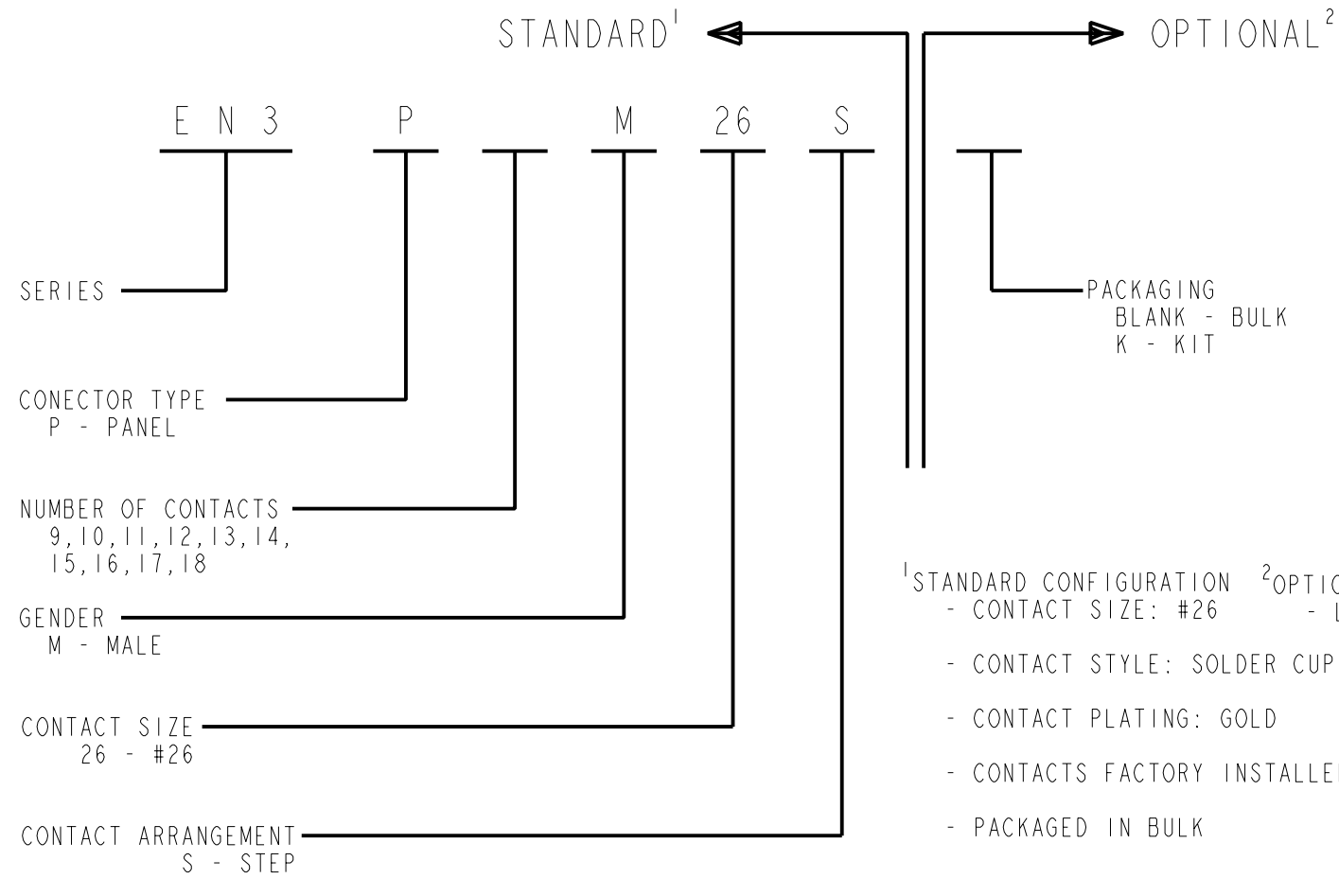
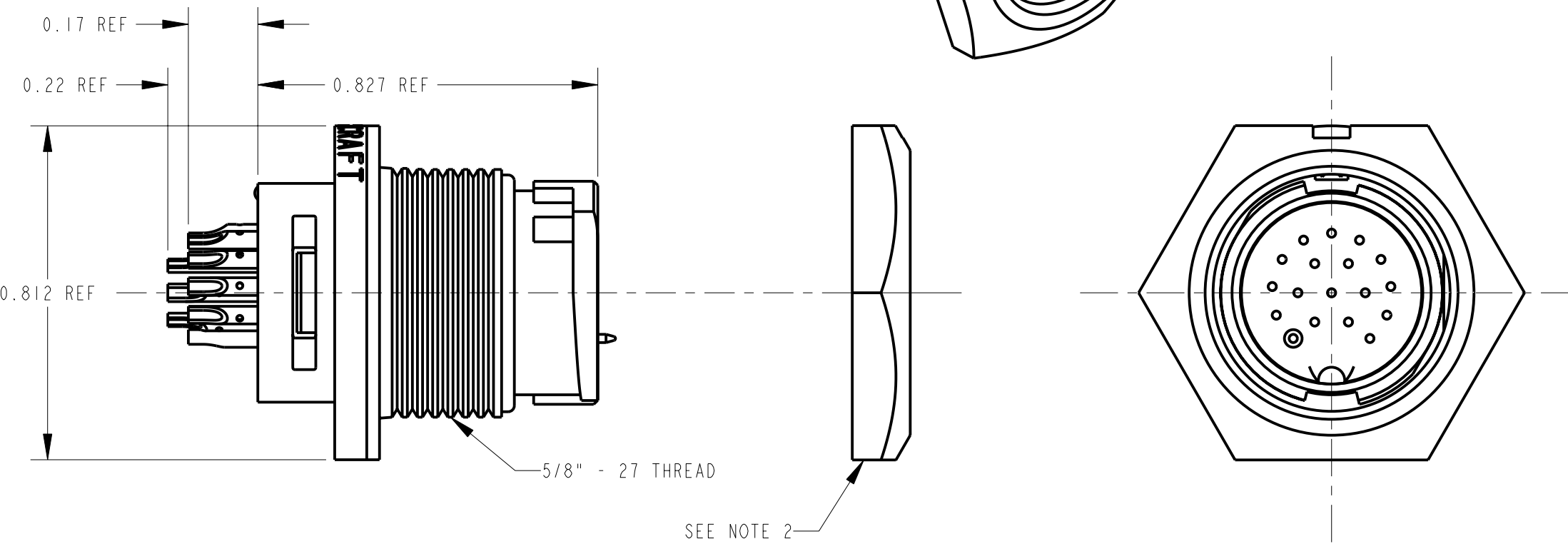


MATERIALS:
 PANEL CONNECTOR SHELL, CONTACT LOCKING DISC:
THERMOPLASTIC POLYMER GLASS FIBER, FLAME RETARDANT

CONNECTOR SHELL INTERIOR:
THERMOPLASTIC RUBBER

CONTACTS: COPPER BASE ALLOY GOLD-PLATED
OVER NICKEL UNDERPLATE

HEX NUT: THERMOPLASTIC



¹STANDARD CONFIGURATION ²OPTIONAL CONFIGURATION
 - CONTACT SIZE: #26 - LEAVE BLANK FOR STANDARD CONFIGURATION

- CONTACT STYLE: SOLDER CUP

- CONTACT PLATING: GOLD

- CONTACTS FACTORY INSTALLED

- PACKAGED IN BULK

REV	ECO NUMBER	DATE	BY	APVD
D	24661	3-8-04	JL	EB
C	24625	2-6-04	JL	TJK
B	23595	2-6-04	JL	TJK
A	RELEASE TO PROD. 23387	7-31-00	JL	BP

REVISIONS

★ STAR SYMBOL DENOTES CRITICAL DIMENSION

UNLESS OTHERWISE SPECIFIED

- ALL DIMENSIONS IN INCHES
 - TWO PLACE DECIMALS ±0.01
 - THREE PLACE DECIMALS ±0.005
 - ANGLES ±1°
 - ALL DIA. CONCENTRIC WITHIN 0.005 T.I.R.
- FEATURES ON THE SAME CENTERLINE
MUST BE ALIGNED WITHIN ±0.002
- REMOVE ALL BURRS

DO NOT SCALE DRAWING

THIS DRAWING DESCRIBES A DESIGN CONSIDERED PROPRIETARY IN NATURE, DEVELOPED AND MANUFACTURED BY SWITCHCRAFT INC. AND IS RELEASED ON A CONFIDENTIAL BASIS FOR IDENTIFICATION PURPOSES ONLY.				
SIZE	WIDTH	MULT	LBS/M	TEMPER
FINISH		MATERIAL		
SPEC No.		SPEC No.		
FIRST USED ON		SCALE		
		3:1		
DATE DRAWN	BY	CHKD	APVD	
6-15-99	SG	SG	AY	
		6-15-99	6-16-99	
NAME MALE PANEL CONNECTORS				PART No.
26 GAUGE CONTACTS-STEP VERSION				EN3P_M26S
				REV
				D

CUSTOMER DRAWING

