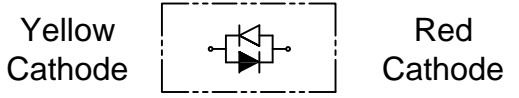
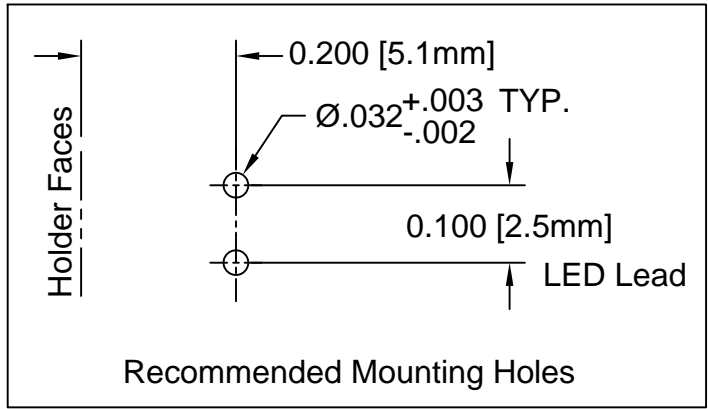
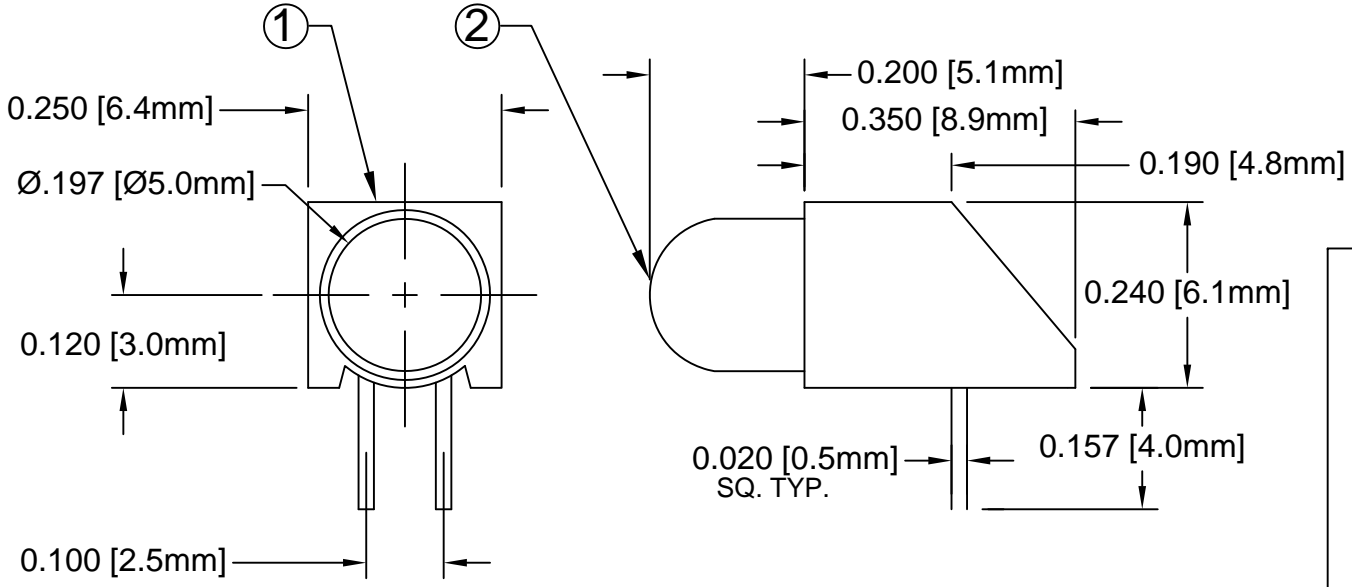


ITEM	Q'TY	PART NUMBER	PART DESCRIPTION
1	1	H-178C-2	T-1¼ (5mm) LED Holder, 90° Mount
2	1	5BC-R/Y	T-1¼ (5mm) Non-Flange Bi-Color LED

REV.	DESCRIPTION	DATE	APPROVED
A	Engineering Release	04/25/07	M. C.
B	Engineering Update w/o Changes	06/20/16	J. C.



LED Part No.	Chip			Lens Appearance	Absolute Max. Ratings				Electro-Optical Data @ 20mA			Viewing Angle (Deg)
	Material	Peak Wave Length λ_p (nm)	Emitted Color		$\Delta\lambda$ (nm)	Pd (mW)	If (mA)	Peak If (mA)	Vf (V)		Iv (mcd)	
									TYP	MAX	TYP	
5BC-R/Y	GaAsP/GaP	635	HE RED	WHITE DIFFUSED	45	80	30	150	2.0	2.6	15.0	45
	GaAsP/GaP	585	YELLOW		30	80	30	150	2.1	2.6	30.0	

ABSOLUTE MAXIMUM RATINGS (Ta=25° C)

REVERSE VOLTAGE _____ 5V

REVERSE CURRENT _____ 100uA

OPERATING TEMPERATURE RANGE _____ -40° C - 80° C

STORAGE TEMPERATURE _____ -40° C - 100° C

LEAD SOLDERING TEMPERATURE(1/16" FROM BODY) _____ 260° C FOR 5 SECONDS

STANDARD TOLERANCE (UNLESS OTHERWISE SPECIFIED)		 4 THOMAS, IRVINE, CA. 92618 TEL: (949) 951-8808 FAX: (949) 951-3974	
DECIMALS	ANGULAR		
.X ± .1	X° ± 1°		
.XX ± .02			TITLE: T-1¼ (5mm) BI-COLOR 90° SINGLE-LEVEL LED ASSY
.XXX ± .010			PART NO: H178CBC-R/Y
DESIGNED: D. Beckman	DATE: 04/25/07	REVISION: B	CAGE CODE: 32559 SHEET # 1 OF 1
CHECKED: T. Yin	DATE: 04/25/07	CAD GENERATED DOCUMENT. DO NOT MEASURE DRAWING.	