

4

3

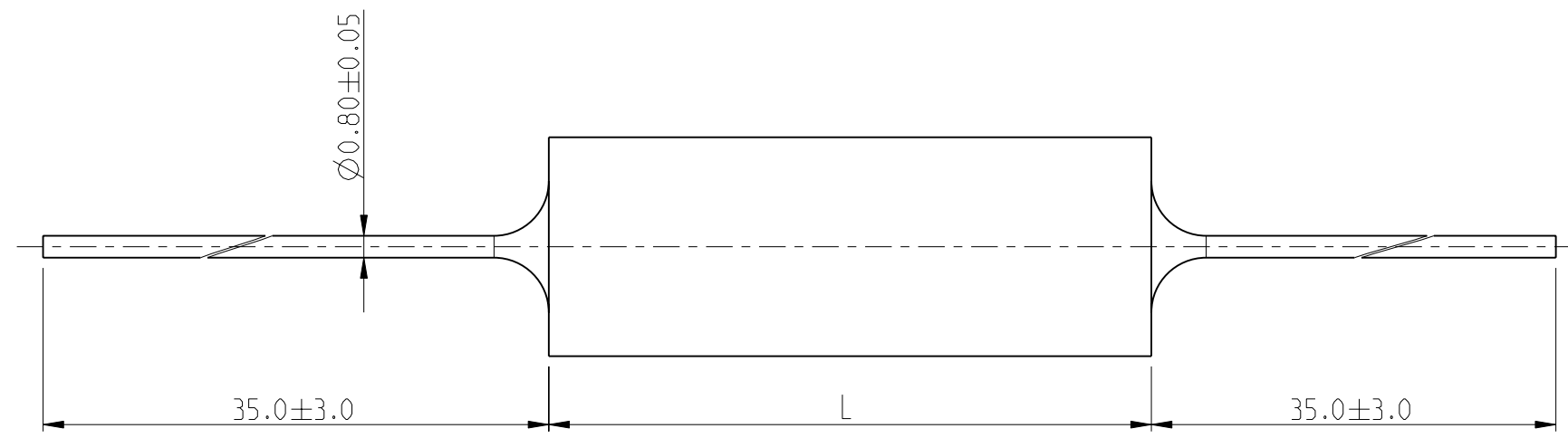
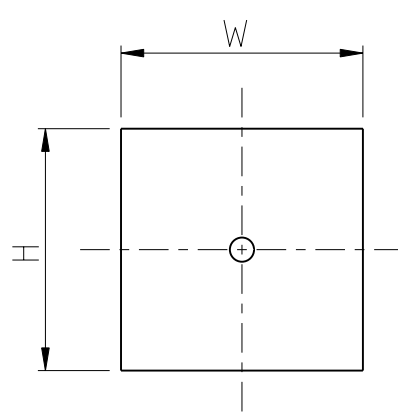
2

1

THIS DRAWING IS UNPUBLISHED. RELEASED FOR PUBLICATION 2009
 © COPYRIGHT 2009 BY TYCO ELECTRONICS CORPORATION. ALL RIGHTS RESERVED.

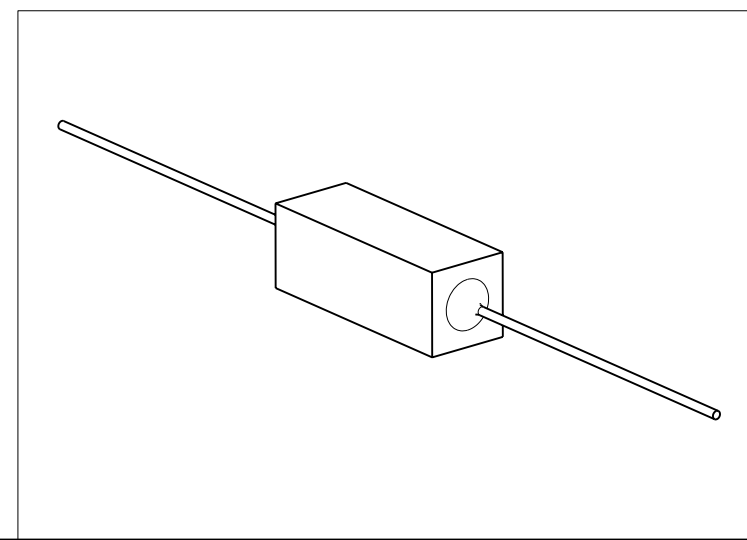
LOC	DIST	REVISIONS			
P	LTR	DESCRIPTION	DATE	DWN	APVD
E	B	BA	NEW RELEASE	28-JUL-09	SM St.P

FOR FURTHER INFORMATION SEE DATA SHEET FOR SERIES FSQ- HIGH POWER RESISTORS (FUSIBLE)



7W	35.0	9.0	10.0
5W	22.0	9.0	10.0
3W	22.0	8.0	8.0
RATED POWER	L±1.5	H±0.5	W±1.0

RoHS Compliant



<small>THIS DRAWING IS A CONTROLLED DOCUMENT FOR TYCO ELECTRONICS CORPORATION IT IS SUBJECT TO CHANGE AND THE CONTROLLING ENGINEERING ORGANIZATION SHOULD BE CONTACTED FOR THE LATEST REVISION.</small>		DWN SUBHASH.M 28-JUL-09 CHK ALLAN.P 28-JUL-09 APVD STEPHEN.P 28-JUL-09	Tyco Electronics Tyco Electronics Corporation Dorcan, Swindon, SN3 5HH		
DIMENSIONS: mm 		PRODUCT SPEC - APPLICATION SPEC - WEIGHT -	NAME HIGH POWER RESISTORS (FUSIBLE) SERIES FSQ		
TOLERANCES UNLESS OTHERWISE SPECIFIED: 0 PLC ±0.2 1 PLC ±0.1 2 PLC ±- 3 PLC ±- 4 PLC ±- ANGLES ±5°		SIZE A3 CAGE CODE 00779 DRAWING NO C-1630880		RESTRICTED TO -	
MATERIAL - FINISH -		CUSTOMER DRAWING		SCALE 4:1 SHEET 1 OF 1 REV BA	