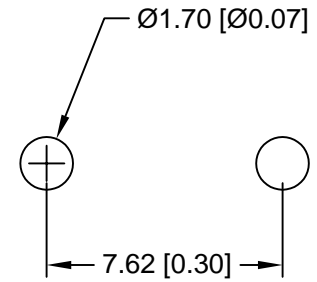
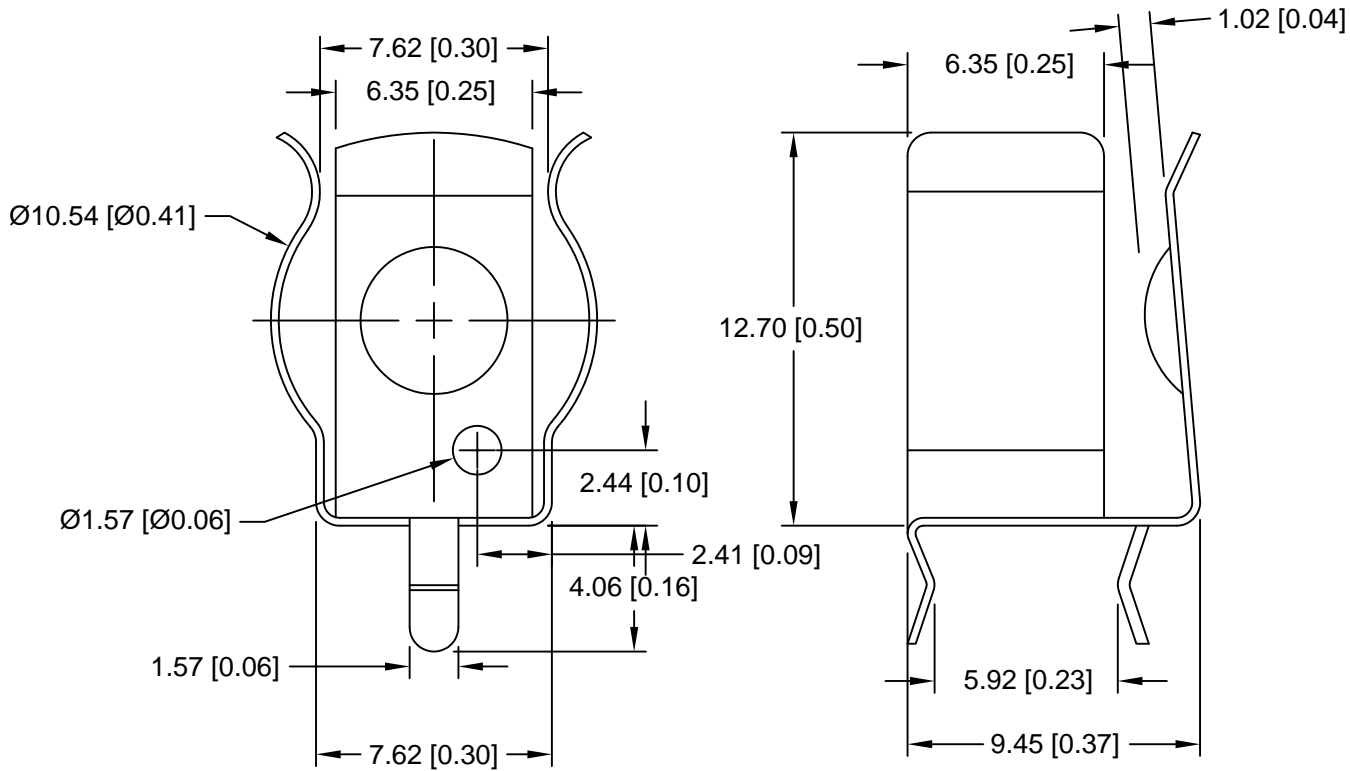



Date	SYM	REVISION RECORD	AUTH	DR.	CK.



PCB LAYOUT

NOTES:

- MATERIAL:
0.010" PHOS. BRONZE, NICKEL PLATED

Tolerance (Except as noted)	 Memory Protection Devices, Inc 200 Broad Hollow Road, Farmingdale, New York 11735		
decimal		Scale	Drawn By B.S.
±.5 (.020)			Approved By T.B.
Fractional	Title		
± .8 (.030)	PC CLIP FOR 10mm DIA. FUSE		
Angular	Date	Drawing Number	
± 3°	4/24/09	BK-82	