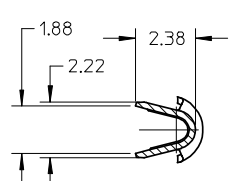


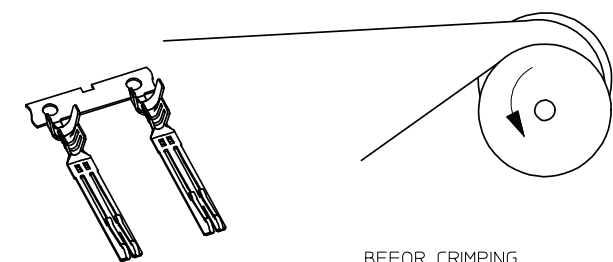
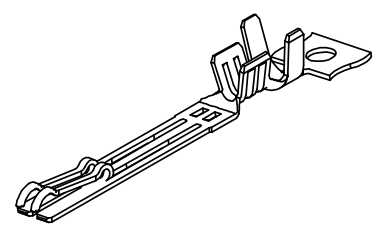
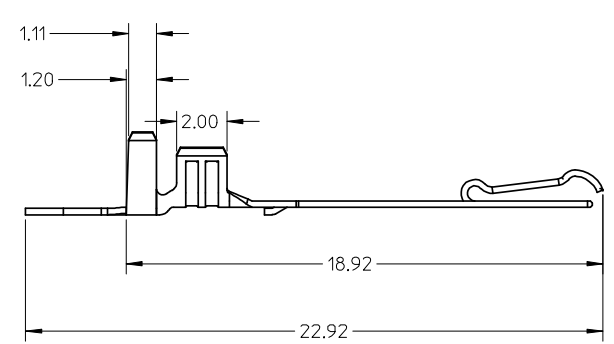
SECTION Z-Z



SECTION Y-Y

NOTES:

1. MATERIAL :  
PHOSPHOR BRONZE, THICKNESS = 0.25mm
2. PLATING :  
CONTACT AREA: (A) GOLD FLASH  
(B) GOLD PLATED 0.76 MICRON,  
(C) GOLD PLATED 0.38 MICRON.  
CRIMPING AREA: TIN PLATED 1.875 MICRON MINIMUM.  
UNDER PLATE: NICKEL PLATED 1.25 MICRON MINIMUM.
3. TO BE USED WITH 47634-2000, 2 SETS TERMINAL PER HOUSING
4. PRODUCT SPECIFICATION REFER TO PS-47634-001.
5. PACKAGE SPECIFICATION REFER TO PK-47634-001.
6. CRIMPING SPECIFICATION REFER TO CS-47634-001
7. RECOMMEND WIRE SIZE: 18/20/22/24 AWG
8. PRODUCT COMPLIANT TO RoHS DIRECTIVE 2002/95/EC AND ELV DIRECTIVE 2000/53/EC.



BEFOR CRIMPING

P/N	CONTACT AREA GOLD PLATING
47634-1000	GOLD FLASH
47634-1001	0.76 MICRON GOLD PLATING
47634-1002	0.38 MICRON GOLD PLATING

NEW RELEASE EC NO: SHZ009-0049 DRWN: XZZHANG CHKD: XJSONG APPR: HWANG	2008/08/07 2008/08/12 2008/08/27	DESCRIPTION REV A	QUALITY SYMBOLS	GENERAL TOLERANCES (UNLESS SPECIFIED)	DIMENSION STYLE	SCALE	DESIGN UNITS	THIRD ANGLE PROJECTION		
			▼=0 ◻=0	mm    INCH 4 PLACES ± --- ± --- 3 PLACES ± --- ± --- 2 PLACES ± 0.25 ± --- 1 PLACE ± 0.25 ± --- ANGULAR ± 3 °	MM ONLY	1:1	METRIC	DRAWN BY: HZHAO CHECKED BY: JTIAN APPROVED BY: HWANG MATERIAL NO.	DATE: 2007/10/10 DATE: 2007/10/10 DATE: 2007/10/10	TITLE: TERMINAL FOR SATA POWER CABLE RECEPTACLE MOLEX INCORPORATED DOCUMENT NO. SD-47634-001
			DRAFT WHERE APPLICABLE MUST REMAIN WITHIN DIMENSIONS		SEE TABLE			SHEET NO. 1 OF 1		
					SIZE A3	THIS DRAWING CONTAINS INFORMATION THAT IS PROPRIETARY TO MOLEX INCORPORATED AND SHOULD NOT BE USED WITHOUT WRITTEN PERMISSION				