

| LOC | | DIST | | REVISIONS | | | |
|-----|---------------|-------------|-----------|-----------|------|--|--|
| P | LTB | DESCRIPTION | DATE | DWN | APVD | | |
| B2 | ECR-10-017493 | | 31.01.11 | SR | AR | | |
| B3 | ECR-11-005515 | | 27MAR2011 | SR | AR | | |
| B4 | ECR-11-018047 | | 08SEP11 | RK | MKG | | |

- NOTES
- 1 MATERIAL:SEE THE TABLE
 - 2 SURFACE:SEE THE TABLE
 - 3 PACKAGING QUANTITY: 3 PIECES IN A BOX

| QTY | DESCRIPTION | MATERIAL | SURFACE | COLOR | ITEM NO | NOTE |
|-----|--------------|------------|--|-------|---------|----------------------|
| 4 | WASHER | V2A | | | 15 | B6.4 |
| 4 | SCREW | V2A | | | 14 | M6x30 |
| 1 | HOOD HIP/EMV | Al.Leg 231 | SUR TEC 650 CHROMIT AL TCP PASSIVATION | BLACK | 13 | THREAD 3xM25 |
| 1 | HOOD HIP/EMV | Al.Leg 231 | SUR TEC 650 CHROMIT AL TCP PASSIVATION | BLACK | 12 | THREAD 1xM63 |
| 1 | HOOD HIP/EMV | Al.Leg 231 | SUR TEC 650 CHROMIT AL TCP PASSIVATION | BLACK | 11 | THREAD 5xM40 |
| 1 | HOOD HIP/EMV | Al.Leg 231 | HARD COAT | BLACK | 10 | THREAD 1xM63 |
| 1 | HOOD HIP/EMV | Al.Leg 231 | HARD COAT | BLACK | 9 | |
| 1 | HOOD HIP/EMV | Al.Leg 231 | SUR TEC 650 CHROMIT AL TCP PASSIVATION | BLACK | 8 | |
| 1 | HOOD HIP/EMV | Al.Leg 231 | HARD COAT | BLACK | 7 | THREAD 4xM32 |
| 1 | HOOD HIP/EMV | Al.Leg 231 | SUR TEC 650 CHROMIT AL TCP PASSIVATION | BLACK | 6 | THREAD 4xM32 |
| 1 | HOOD HIP/EMV | Al.Leg 231 | HARD COAT | BLACK | 5 | THREAD 2xM50+1.M20.G |
| 1 | HOOD HIP/EMV | Al.Leg 231 | SUR TEC 650 CHROMIT AL TCP PASSIVATION | BLACK | 4 | THREAD 2xM50+1.M20.G |
| 1 | HOOD HIP/EMV | Al.Leg 231 | HARD COAT | BLACK | 3 | THREAD 2xM40+1.M20.G |
| 1 | HOOD HIP/EMV | Al.Leg 231 | SUR TEC 650 CHROMIT AL TCP PASSIVATION | BLACK | 2 | THREAD 2xM40+1.M20.G |
| 1 | HOOD HIP/EMV | Al.Leg 231 | SUR TEC 650 CHROMIT AL TCP PASSIVATION | BLACK | 1 | THREAD 4xM25 |

| QTY | DESCRIPTION | MATERIAL | SURFACE | COLOR | ITEM NO | NOTE | | | | | | | | | | | | |
|-----|-------------|----------|---------|-------|---------|------|-----|-----|-----|-----|-----|-----|----------------------------|----------|---------|-------|---------|------|
| 1-5 | 1-2 | 1-1 | 1-0 | 0-9 | 0-8 | 0-7 | 0-6 | 0-5 | 0-4 | 0-3 | 0-2 | 0-1 | DESCRIPTION | MATERIAL | SURFACE | COLOR | ITEM NO | NOTE |
| | | | | | | | | | | | | | HF-EMVK12.STO.2M40G+1.M20G | | | | | |
| | | | | | | | | | | | | | HF-HIPK12.STO.2M40G+1.M20G | | | | | |
| | | | | | | | | | | | | | HF-EMVK12.STO.2M50G+1.M20G | | | | | |
| | | | | | | | | | | | | | HF-HIPK12.STO.2M50G+1.M20G | | | | | |
| | | | | | | | | | | | | | HF-EMVK12.STO.4M32G | | | | | |
| | | | | | | | | | | | | | HF-HIPK12.STO.4M32G | | | | | |
| | | | | | | | | | | | | | HF-EMVK12.STO.4M25G | | | | | |
| | | | | | | | | | | | | | HF-EMV-K.12.ST-WE | | | | | |
| | | | | | | | | | | | | | HF-HIP-K.12.ST-WE | | | | | |
| | | | | | | | | | | | | | HF-HIPK12.STO.1M63G | | | | | |
| | | | | | | | | | | | | | HF-EMVK12.STO.5M40G | | | | | |
| | | | | | | | | | | | | | HF-EMVK12.STO.1M63G | | | | | |
| | | | | | | | | | | | | | HF-EMV-K.12.STO.3.M25.G | | | | | |

THIS DRAWING IS A CONTROLLED DOCUMENT. DWG: SCHNEIDER 18.05.2006
 CHK: H.BRAUN 09.09.2001
 APVD: T.SCHNURPEL 09.09.2001

TE Connectivity

NAME: HOOD
 SERIES HF SIZE 12

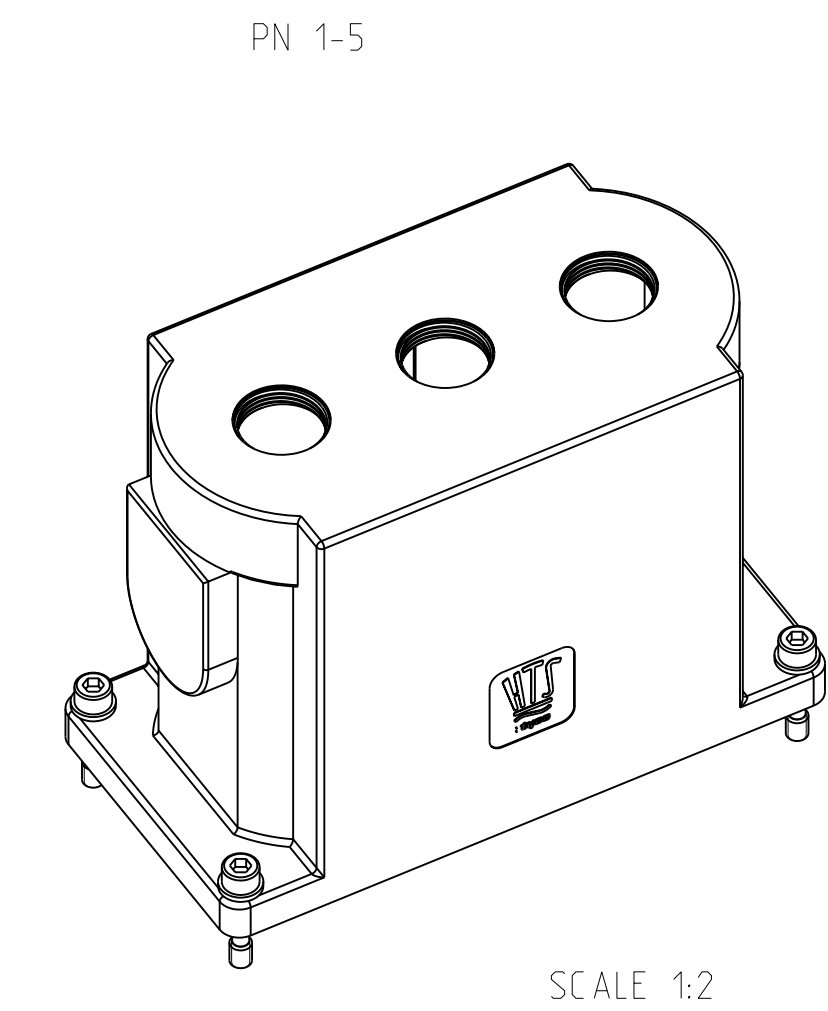
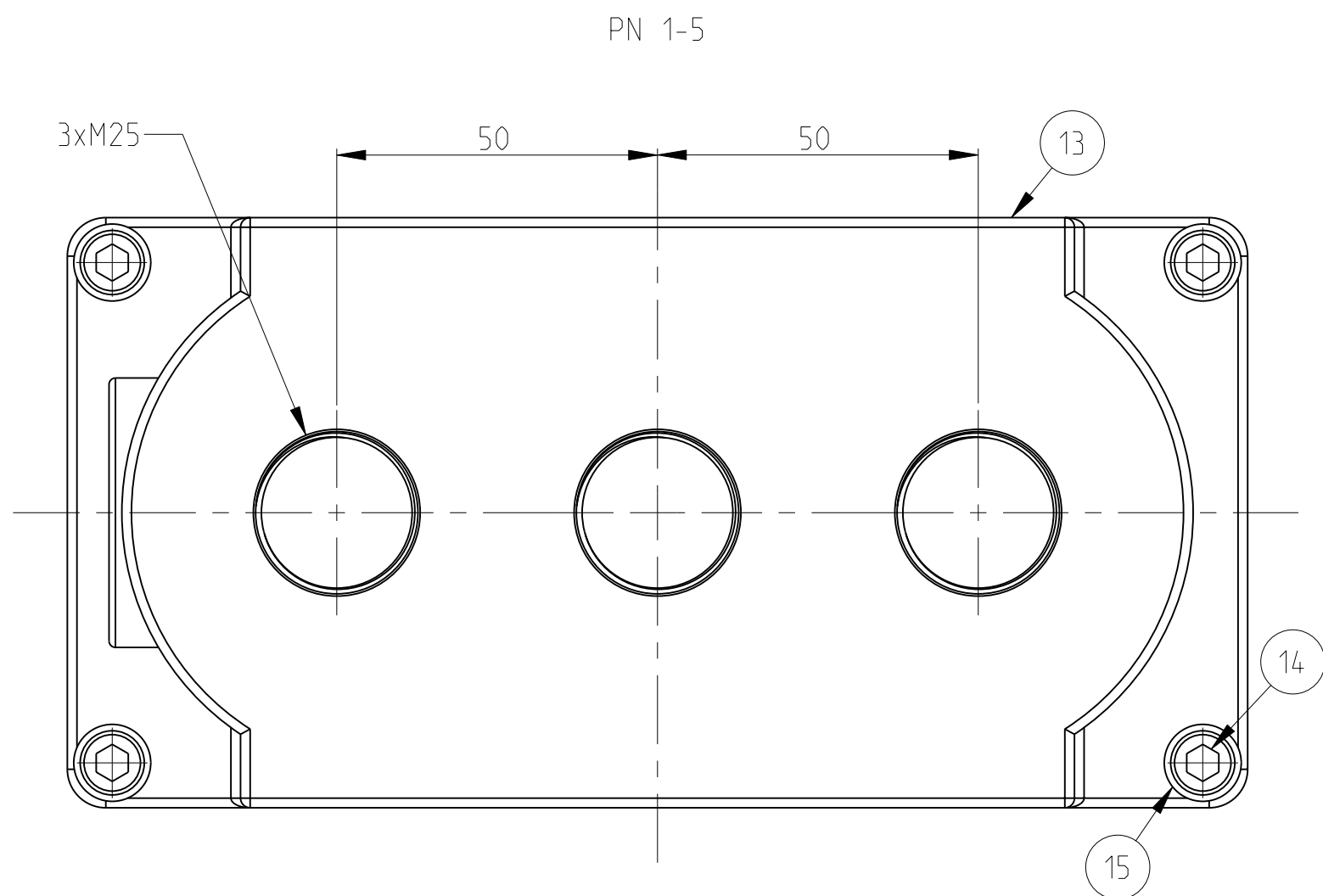
PRODUCT SPEC: 108-74XXX
 APPLICATION SPEC: 114-74XXX

SIZE: A1 CAGE CODE: 0079 DRAWING NO: C=1102840 RESTRICTED TO: -
 SCALE: 5:1 SHEET: 1 OF 2 REV: B4

CUSTOMER DRAWING

THIS DRAWING IS UNPUBLISHED. RELEASED FOR PUBLICATION 2000
 ALL RIGHTS RESERVED. COPYRIGHT 2000

| LOC | | DIST | | REVISIONS | | | |
|-----|------|------|------|-------------|------|-----|------|
| NO | DATE | BY | APPV | DESCRIPTION | DATE | DWN | APPV |
| A1 | - | - | - | SEE SHEET 1 | - | - | - |
| | | | | | | | |
| | | | | | | | |



| | | | |
|--|--|-----------------------------|-------------------------------|
| THIS DRAWING IS A CONTROLLED DOCUMENT. | | DMB SCHNEIDER 18.05.2006 | TE TE Connectivity |
| DIMENSIONS: mm | | CHK H.BRAUN 09.09.2001 | |
| TOLERANCES UNLESS OTHERWISE SPECIFIED: | | APVD T.SCHNURPEL 09.09.2001 | NAME HOOD |
| 0 PLG ±0.1 | | PRODUCT SPEC | SERIES HF SIZE 12 |
| 1 PLG ±0.1 | | 108-74XXX | RESTRICTED TO |
| 2 PLG ±0.1 | | APPLICATION SPEC | SIZE CAGE CODE DRAWING NO |
| 3 PLG ±0.1 | | 114-74XXX | A1 0079 C=1102840 |
| 4 PLG ±0.1 | | WEIGHT | SCALE 5:1 SHEET 2 OF 2 REV B4 |
| ANGLES | | CUSTOMER DRAWING | |
| FINISH | | | |