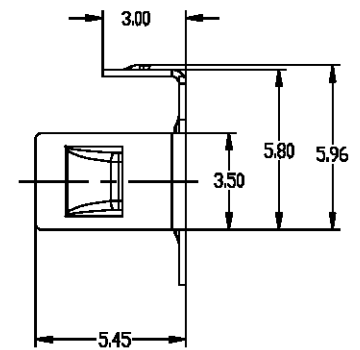
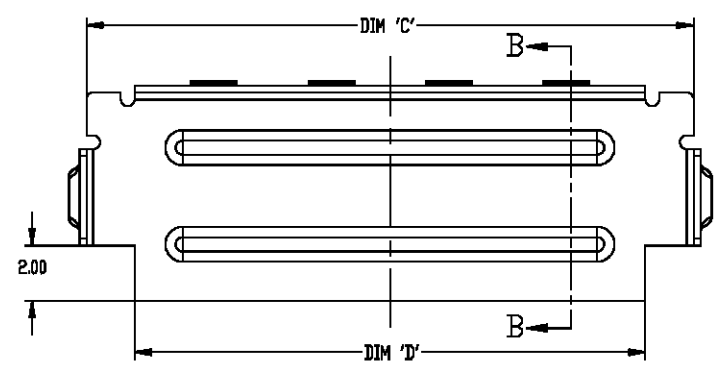
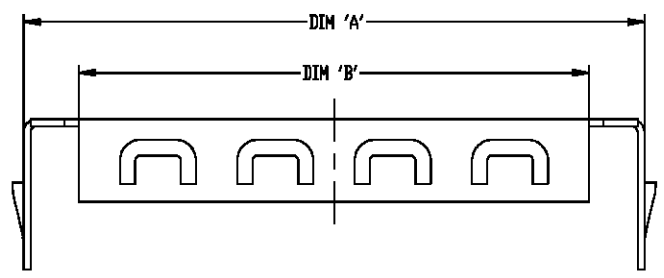
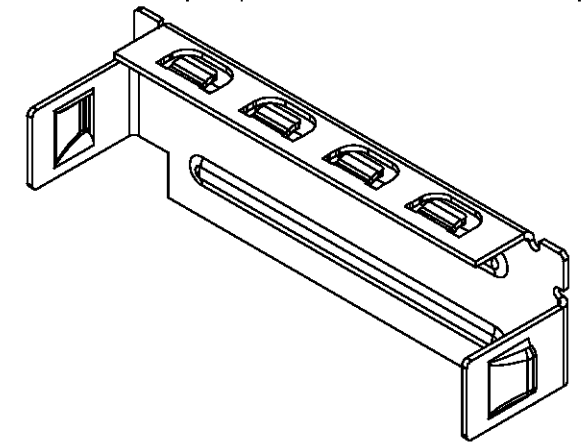
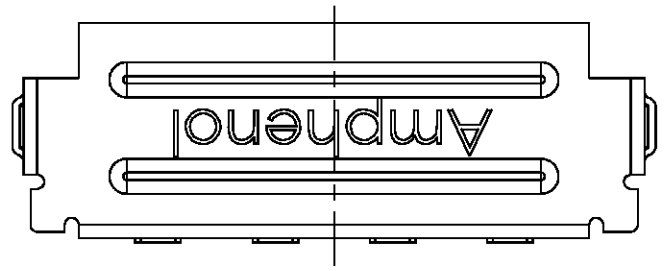


REVISIONS			
REV.	DESCRIPTION	DATE	APPROVED
A	PROPOSAL		
B	ADD FAMILY DRAWING DIMENSION	2004/05/26	
C	ADD NOTE	2004/06/10	
D	DIMENSION CHANGE	2006/07/28	ZLJ



PART NUMBER	DIM 'A'	DIM 'B'	DIM 'C'	DIM 'D'
U65-404-60-P	22.50	18.10	22.00	18.50
U65-412-60-P	46.50	42.50	46.00	42.50

- NOTE:
- MATERIAL: STAINLESS STEEL AISI 301(1/2 HARD), 0.25±0.013 mm THICK. FINISH: NATURAL.
 - PART TO BE BULK PACKAGED.

DO NOT SCALE DRAWING
 THIS DOCUMENT CONTAINS PROPRIETARY INFORMATION AND SUCH INFORMATION MAY NOT BE DISCLOSED TO OTHERS FOR ANY PURPOSE OR USED FOR MANUFACTURING PURPOSES WITHOUT PERMISSION FROM AMPHENOL CANADA CORP.

UNLESS OTHERWISE SPECIFIED DIMENSIONS ARE IN MILLIMETERS TOLERANCES ARE: DECIMALS XX± 0.15 XXX± 0.10		APPROVALS DRAWN J.SI DESIGNED J.SI CHECKED IN APPD IE APPD DWG APPD		DATE 2004/05/12 2004/05/12		Amphenol Canada Corp.	
MATERIAL AND FINISH SEE NOTE 1		REF. EAR# 12444		CODE IDENT. NO. 03554		TITLE REAR COVER INFINIBAND RECEPTACLE	
		SIZE A3		DWG NO. P-U65-4XX-60-P		REV. D	
		SCALE 5 = 1		PROJECT		SHEET 1 OF 1	