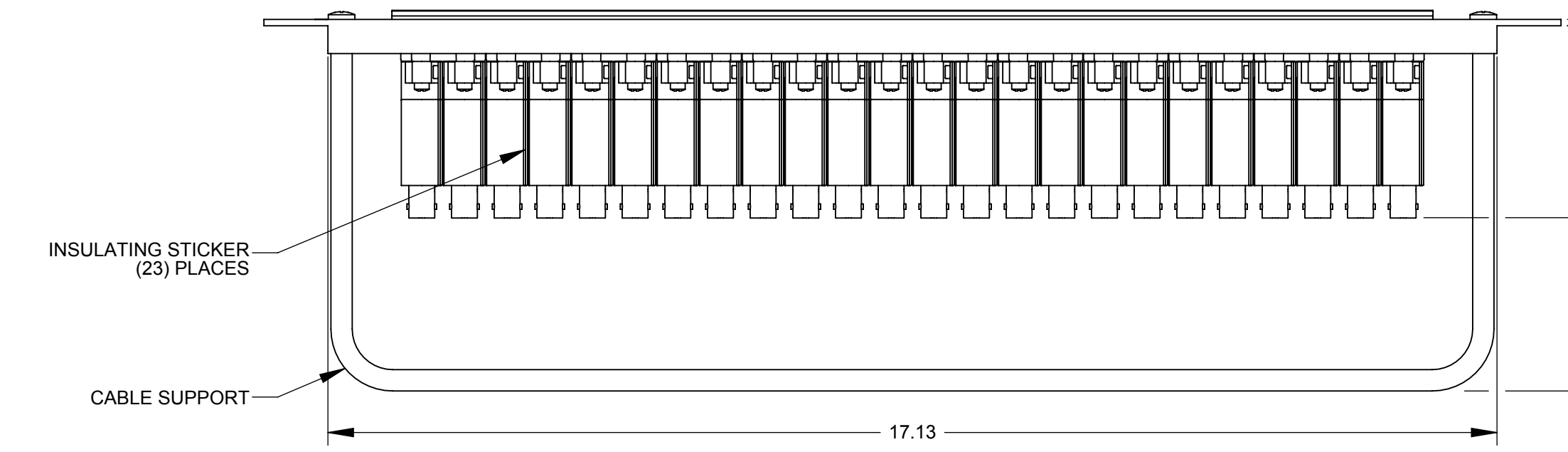
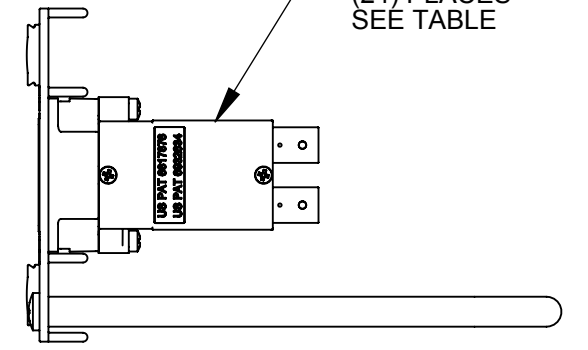


FRONT PANEL

VIDEO JACK
(24) PLACES
SEE TABLE



0.09
2.81
5.34

PART NUMBER	VIDEO JACK
VPP24K3HD75TX	VJHD75TZ
VPP24K3HDNTX	VJHDNTZ
VPP24K3HDN75TX	VJHDN75TZ
VPP24K3HDNNTX	VJHDNNTZ

CUSTOMER DRAWING

NOTES:

- MATERIALS:
FRONT PANEL - ALUMINUM, BLACK ANODIZE
MODULAR INSERTS - THERMOPLASTIC, BLACK
VIDEO JACKS - ZINC, NICKEL PLATED
HORIZONTAL MARKING STRIP - THERMOPLASTIC, WHITE
DESIGNATION STRIP COVER - THERMOPLASTIC, CLEAR
CABLE SUPPORT - STEEL, BLACK EPOXY
SCREWS - STEEL, ZINC OR NICKEL PLATED
INSULATING STICKER - THERMOPLASTIC
- SUPPLIED WITH (4) #12-24 MOUNTING SCREWS.
- THIS PRODUCT IS RoHS COMPLIANT.

REV	ECO NUMBER	DATE	BY	APVD
B	25996	12/9/08	RS	TJK
A	25889	7/9/08	RS	TJK
REVISIONS				

UNLESS OTHERWISE SPECIFIED
1. ALL DIMENSIONS IN INCHES
- TWO PLACE DECIMALS ±0.02
- THREE PLACE DECIMALS ±0.005
DO NOT SCALE DRAWING

THIS DRAWING DESCRIBES A DESIGN CONSIDERED PROPRIETARY IN NATURE, DEVELOPED AND MANUFACTURED BY SWITCHCRAFT INC. AND IS RELEASED ON A CONFIDENTIAL BASIS FOR IDENTIFICATION PURPOSES ONLY.									
SIZE	WIDTH	MULT	LBS/M	TEMPER					
FINISH					MATERIAL				
SPEC No.					SPEC No.				
FIRST USED ON					SCALE				
					1:2				
DATE DRAWN	BY	CHKD	APVD						
6/2/08	AH	AH	BDS						
			6/2/08						
NAME					PART No.				
VIDEO JACK					VPP24K3HD_X SERIES				
PATCHBAY, RoHS					REV				
					B				