

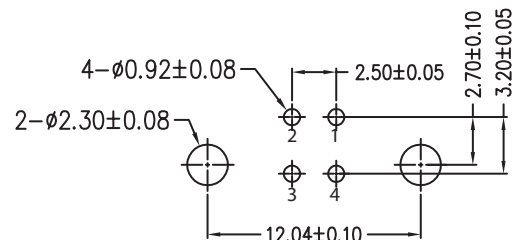
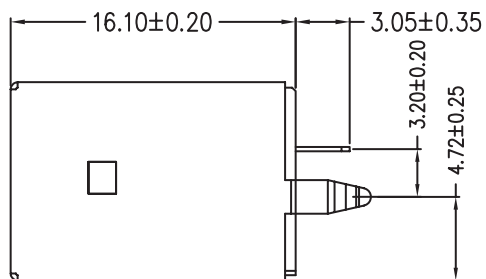
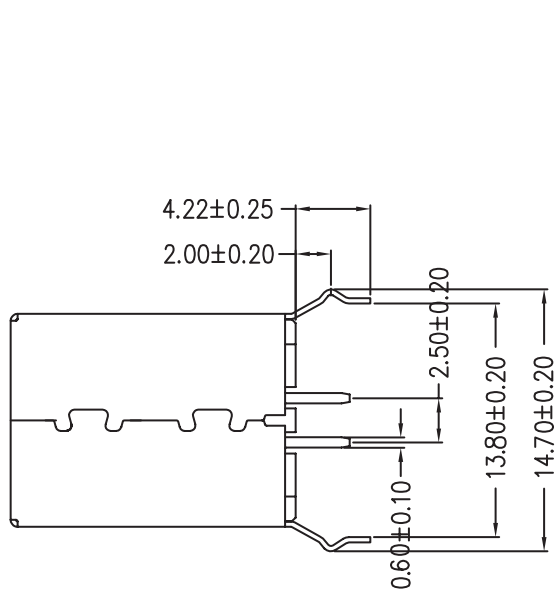
1

2

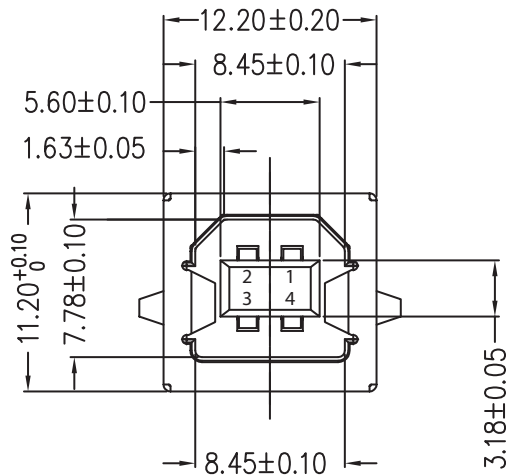
3

4

5



RECOMMENDED PCB LAYOUT
RECOMMENDED PCB THICKNESS : 1.6 mm



TECHNICAL CHARACTERISTICS

MATERIAL
INSULATOR: PBT
FLAMMABILITY RATING: UL94-V0
COLOR: WHITE
CONTACT MATERIAL: COPPER ALLOY
CONTACT TYPE: STAMPED
CONTACT PLATING: SELECTIVE GOLD
SHIELDING: BRASS NI PLATED
QUALITY CLASS: 1500 MATING CYCLES

ENVIRONMENTAL
OPERATING TEMPERATURE: -40 °C UP TO +105 °C
COMPLIANCE: LEAD FREE AND ROHS

ELECTRICAL
CURRENT RATING: 1.5 A MAX
WORKING VOLTAGE: 30 VAC
INSULATION RESISTANCE: >1000 MΩ
DIELECTRIC WITHSTANDING VOLTAGE: 750 VAC/MIN
CONTACT RESISTANCE: 20 mΩ MAX

STANDARD

 CERTIFIED: E323964

SOLDERING
JEDEC LEAD FREE WAVE SOLDERING PROCESS

PACKAGING
TRAY

RoHS Compliant

N	07-JUN-16	TPK	AK
M	20-JUL-15	UPDATE	AK
L	09-AVR-15	PCB THICKNESS	QP
K	27-OCT-14	REVIEW	QL
J	21-AUG-13	DIM UPDATE	QL
I	15-FEV-13	DESIGNATION	AR
H	08-NOV-11	CURRENT RATING	GG
REV	DATE	FILE	BY

PROJECTION:



APPROVAL: NPr

GENERAL TOLERANCE

.X = +/- 0.2

.XX = +/- 0.15



UNIT: MM

SCALE:

SHEET: 1/3

DRAW: QL

DESCRIPTION: USB 2.0 TYPE B VERTICAL

WERI PART NO: 614 004 133 21

SIZE

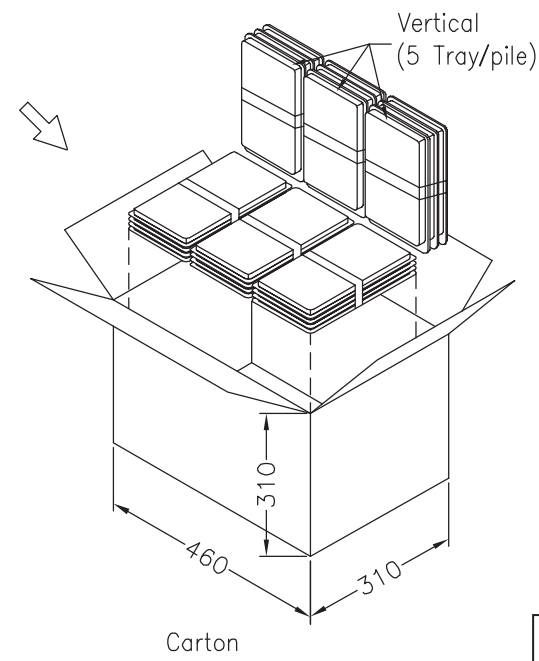
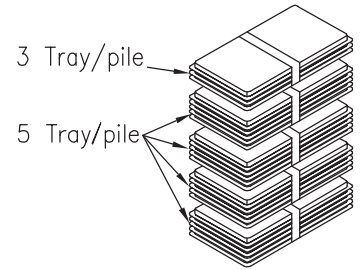
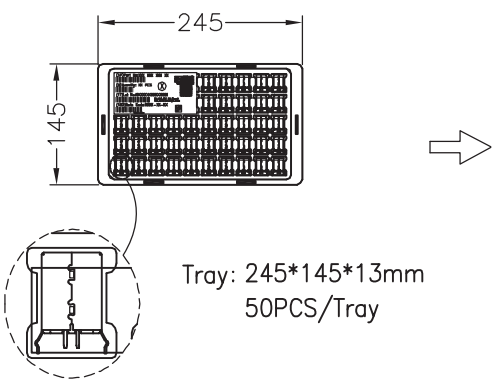
A4

A

B

C

D



50 pcs/tray
84 trays/carton
4200 pcs/carton

RoHS Compliant				PROJECTION: 	GENERAL TOLERANCE .X = +/- 0.2 .XX = +/- 0.15		DESCRIPTION: USB 2.0 TYPE B VERTICAL	SIZE A4
G								
F								
E								
D				APPROVAL: NPr	UNIT: MM	WERI PART NO: 614 004 133 21		
C					SCALE:			
B					SHEET: 2/3			
A				DRAW: AK				
REV	DATE	FILE	BY					

A
B
C
D

1

2

3

4

5

Cautions and Warnings:

This electronic component is designed and developed with the intention for use in general electronics equipments.

Before incorporating the components into any equipments in the field such as aerospace, aviation, nuclear control, submarine, transportation, (automotive control, train control, ship control), transportation signal, disaster prevention, medical, public information network etc. where higher safety and reliability are especially required or if there is possibility of direct damage or injury to human body, Würth Elektronik must be asked for a written approval.

In addition, even electronic component in general electronic equipments, when used in electrical circuits that require high safety, reliability functions or performance, the sufficient reliability evaluation-check for the safety must be performed before by the user before usage.

A

B

C

RoHS Compliant

G				PROJECTION: 	GENERAL TOLERANCE .X = +/- 0.2 .XX = +/- 0.15		
F							
E							
D							
C				APPROVAL: JC	UNIT: MM	DESCRIPTION: DISCLAIMER	SIZE A4
B					SCALE:		
A	10-SEP-14	PDF	QL		SHEET: 3/3	WERI PART NO: DISCLAIMER	
REV	DATE	FILE	BY		DRAW: QL		

D