

Temperature measuring transducer - MCR-T-UI-E-NC - 2814126

Please be informed that the data shown in this PDF Document is generated from our Online Catalog. Please find the complete data in the user's documentation. Our General Terms of Use for Downloads are valid (<http://phoenixcontact.com/download>)




MCR-T module, programmable temperature measuring transducer, unconfigured, for thermocouple sensors and resistance thermometers, with 2, 3, or 4-wire system, with electrical isolation between input/output and input/auxiliary power

Why buy this product

- Freely programmable via MCR/PI-CONF-WIN
- With transistor switching output
- Measure differential temperatures
- Inverse output signal ranges as an option
- For resistance thermometers and thermocouples



Key Commercial Data

Packing unit	1 STK
GTIN	 4 017918 139445
GTIN	4017918139445

Technical data

Note

Utilization restriction	EMC: class A product, see manufacturer's declaration in the download area
-------------------------	---

Dimensions

Width	17.5 mm
Height	99 mm
Depth	114.5 mm

Ambient conditions

Ambient temperature (operation)	-20 °C ... 65 °C
---------------------------------	------------------

Input data

Configurable/programmable	Yes, unconfigured
---------------------------	-------------------

Temperature measuring transducer - MCR-T-UI-E-NC - 2814126

Technical data

Input data

Sensor types (RTD) that can be used	Pt, Ni, Cu sensors
Sensor types that can be used (TC)	U, T, L, J, E, K, N, S, R, B, C, W, HK
Linear resistance measuring range	0 Ω ... 8000 Ω (freely adjustable, min. measuring range 100 Ω)
Sensor input current	250 μA (resistance thermometer)
Temperature measuring range	Depending on sensor type used
Connection technology	2, 3, 4-wire
Protective circuit	Transient protection
	Surge protection 30 V DC
Connection method	Pluggable screw connection

Output data

Output name	Voltage output / current output
Configurable/programmable	Yes, unconfigured
Voltage output signal	0 V ... 5 V
	0 V ... 10 V
	-5 V ... 5 V
	-10 V ... 10 V
	10 V ... 0 V
	5 V ... 0 V
	10 V ... -10 V
	5 V ... -5 V
	1 V ... 5 V
Current output signal	0 mA ... 20 mA
	4 mA ... 20 mA
	20 mA ... 0 mA
	20 mA ... 4 mA
Max. output voltage	± 12 V
Max. output current	24 mA
Output voltage range with wire break	-12 V ... 12 V
Output current range with wire break	0 A ... 24 mA
Output voltage range with overrange/underrange	-12 V ... 12 V
Output current range with overrange/underrange	0 A ... 24 mA
Load/output load voltage output	≥ 10 kΩ
Load/output load current output	≤ 500 Ω
Ripple	< 20 mV _{PP}
Protective circuit	Transient protection
D/A resolution	± 12 bit

Switching output

Output name	Transistor output, npn
-------------	------------------------

Temperature measuring transducer - MCR-T-UI-E-NC - 2814126

Technical data

Switching output

Output description	Can carry a load of 100 mA, switches supply voltage (not protected against short-circuit); locked in case of order-specific configuration, otherwise freely programmable through MCR/PI-CONF-WIN
Output voltage range	18 V DC ... 30 V DC (switches supply voltage, not short-circuit resistant)
Continuous load current	100 mA

Power supply

Supply voltage range	18 V DC ... 30 V DC
Max. current consumption	≤ 60 mA
Typical current consumption	40 mA

Connection data

Connection method	Pluggable screw connection
Conductor cross section solid min.	0.2 mm ²
Conductor cross section solid max.	2.5 mm ²
Conductor cross section AWG min.	24
Conductor cross section AWG max.	14
Conductor cross section flexible min.	0.2 mm ²
Conductor cross section flexible max.	2.5 mm ²
Stripping length	8 mm
Screw thread	M3

General

Maximum transmission error	≤ 0.1 % (of maximum range, ±6 mV or ±12 µA at output)
Maximum temperature coefficient	≤ 0.01 %/K
Temperature coefficient, typical	0.005 %/K
Cold point error, max.	≤ 3 K
Typical cold point errors	1.5 K
Test voltage input/output	1 kV (50 Hz, 1 min.)
Test voltage input/power supply	1 kV (50 Hz, 1 min.)
Color	green
Housing material	Polyamide PA non-reinforced
Mounting position	any
Conformance	CE-compliant
UL, USA/Canada	Class I, Div. 2, Groups A, B, C, D or Non-Hazardous Locations
GL	DNV GL

Standards and Regulations

Connection in acc. with standard	CUL
Conformance	CE-compliant
UL, USA/Canada	Class I, Div. 2, Groups A, B, C, D or Non-Hazardous Locations
GL	DNV GL

Environmental Product Compliance

Temperature measuring transducer - MCR-T-UI-E-NC - 2814126

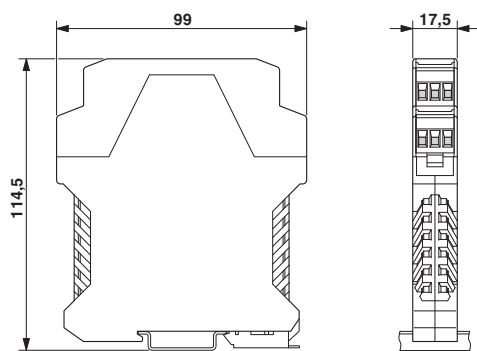
Technical data

Environmental Product Compliance

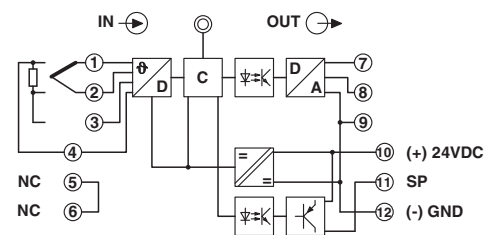
REACH SVHC	Lead 7439-92-1
China RoHS	Environmentally Friendly Use Period = 50
	For details about hazardous substances go to tab "Downloads", Category "Manufacturer's declaration"

Drawings

Dimensional drawing



Circuit diagram



Phoenix Contact 2018 © - all rights reserved
<http://www.phoenixcontact.com>

PHOENIX CONTACT GmbH & Co. KG
Flachsmarktstr. 8
32825 Blomberg
Germany
Tel. +49 5235 300
Fax +49 5235 3 41200
<http://www.phoenixcontact.com>