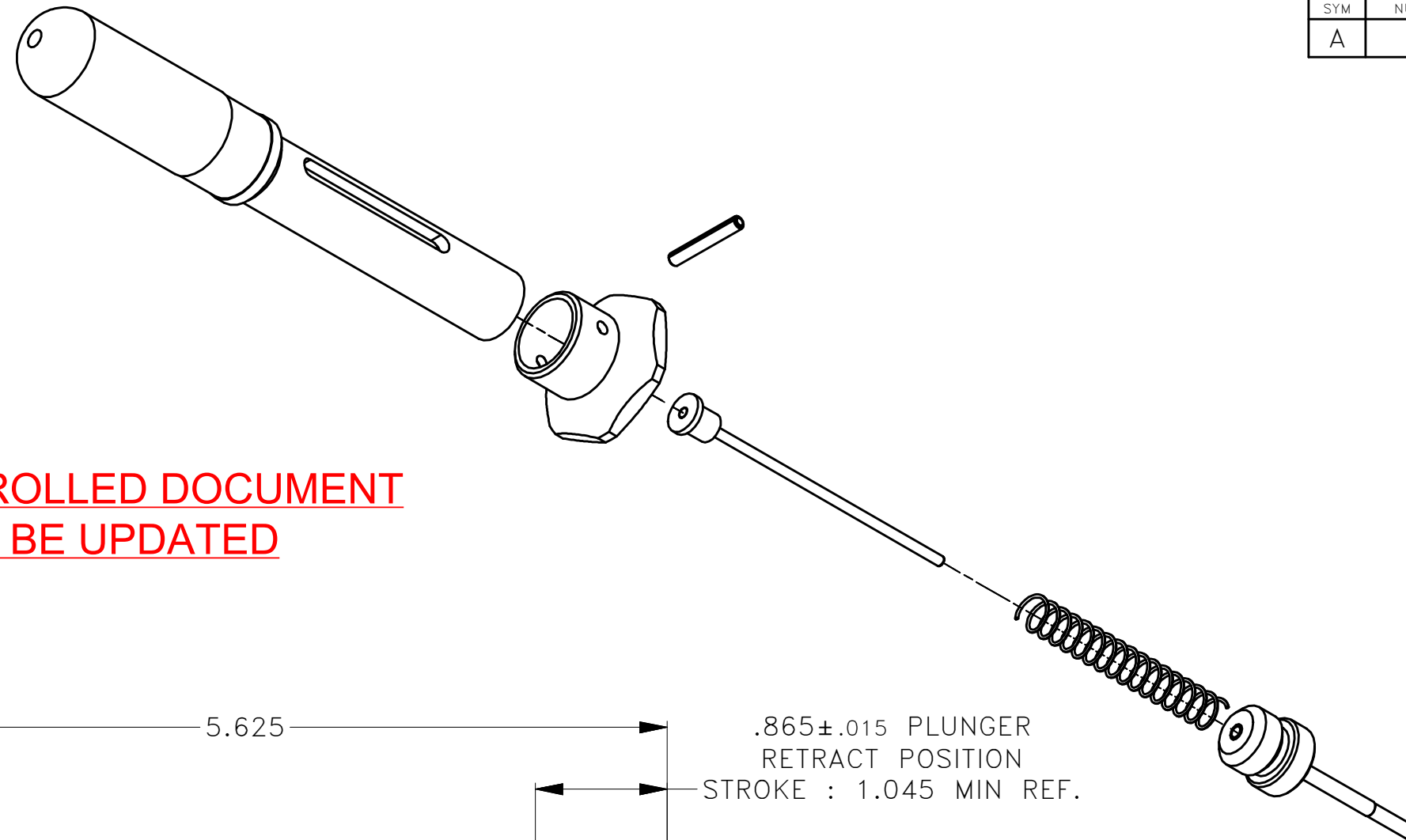
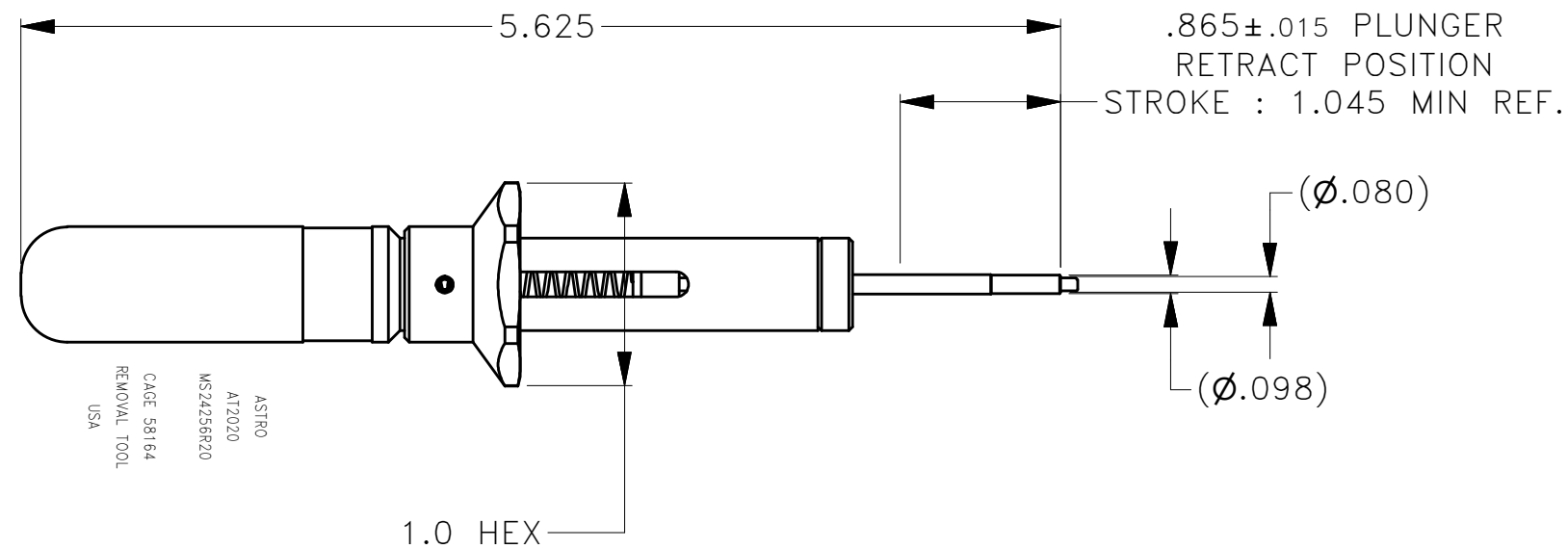


REVISIONS				
REV SYM	ECO NUMBER	DESCRIPTION	BY DATE	APP'D DATE
A		NEW RELEASE	DYO	MK 08-02-10




**UNCONTROLLED DOCUMENT
WILL NOT BE UPDATED**



ASTRO
A12020
MS24256R20
CAGE 58164
REMOVAL TOOL
USA

- NOTES:
1. THIS IS AN ICAD DRAWING DO NOT CHANGE MANUALLY.
2. COLOR CODE: RED

<p>THESE DRAWINGS, SPECIFICATIONS OR OTHER DATA ARE THE PROPERTY OF ASTRO TOOL CORP. AND MUST BE RETURNED UPON REQUEST. THEY CONTAIN INFORMATION OWNED AND/OR DEVELOPED BY ASTRO AT ITS OWN PRIVATE EXPENSE AND MAY NOT BE USED, DUPLICATED OR DISCLOSED TO OTHERS, IN WHOLE OR IN PART FOR DESIGN, MANUFACTURE, OR PROCUREMENT WITHOUT THE WRITTEN PERMISSION OF ASTR TOOL CORP. EACH AND EVERY TIME.</p> <p>CREATED FROM AN INVENTOR MODEL. CHANGES MUST BE REFLECTED IN THE 3D PART</p> <p>DO NOT SCALE DRAWING</p>	MATERIAL	N/A	ITEM	PART NO.	QTY.	DESCRIPTION/REMARKS
	HEAT TREAT	N/A	DRN. J.MATTHEWS	DATE 08-02-10		 CAGE 58164 21615 S.W. THIALATIN VALLEY HWY. BEAVERTON OR 97006
	FINISH	N/A	CHK'D. MK	DATE 08-02-10		
				APP'D.	DATE	TITLE
			APP'D.	DATE	WHERE USED:	SIZE B SCALE N.T.S. CAD P/N AT 2020_env SHEET OF 10F1
			TOLERANCE: UNLESS OTHERWISE SPECIFIED FRACTIONS ± 1/32 ANGLES ± 1° DECIMAL INCHES: .X ± .030 .XX ± .010 .XXX ± .005 .XXXX ± .0005 REMOVE BURRS AND BREAK SHARP EDGES .005-.015		POSTING	P/N AT 2020-ENV REV. A